

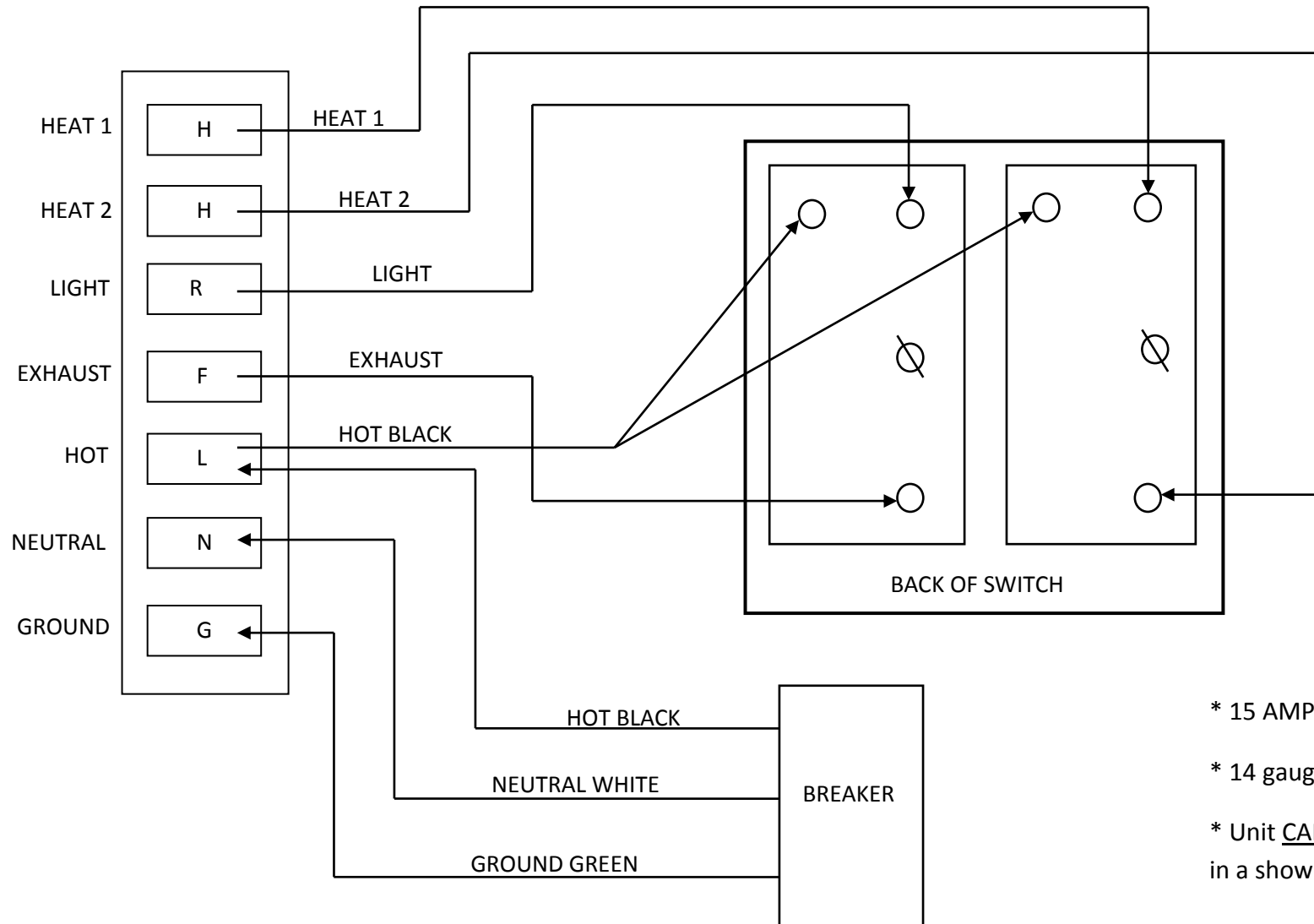
STOP: READ BEFORE INSTALLATION

•716 MODEL•

This unit MUST be installed by a licensed Electrician.

The power source MUST come from the BREAKER to the UNIT and then to the SWITCH.

Thermal sensors must be live in order for fan to come on and off automatically. Failure to do this will result in damage to the unit and void all warranty.



- * 15 AMP breaker required.
- * 14 gauge wire is sufficient.
- * Unit CANNOT be mounted in a shower