

ARCHES MR16 Directional Down Light

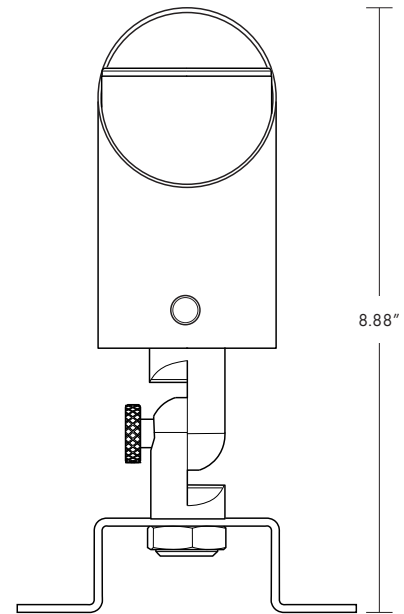
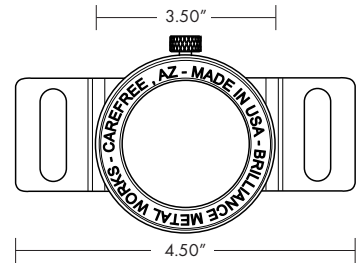


DESCRIPTION

The Arches Directional Down Light works with MR16 lamps or MR16 Chameleon lamps. It features an adjustable glare shield and the Brilliance Metal Works signature adjustment system, which allows for 22 points of articulation of the knuckle in 10 degree increments. For an alternative mounting option, pair the Arches with the Tree Mount optional accessory. When using in a tree, consult with an arborist for the best way to mount for the particular tree species.

ARCHES DIRECTIONAL DOWN LIGHT

Use	Surface-Mounted Uplighting and Downlighting	
Finish	Brass, Copper, or Black Brass (Cerakote®)	
Includes	LightingShrink Professional Crimp and Heat Shrink Cable Connector, Stainless Steel Mounting Canopy	
Order With Lamp	MR16, 4W, 2700K, 30°	ARCHES-DDL-MR16-CU ARCHES-DDL-MR16-BR ARCHES-DDL-MR16-BR-BLK
Order Without Lamp	Fits Chameleon MR16, MR16	ARCHES-DDL-MR16-CU-NL ARCHES-DDL-MR16-BR-NL ARCHES-DDL-MR16-BR-BLK-NL



Brass (BR)



Copper (CU)



Black Brass + Cerakote® (BR-BLK)



ARCHES-DDL-MR16-CU

ADJUSTING THE FIXTURE

1. Turn the thumbnut counter-clockwise to loosen the knuckle.
2. Rotate the fixture vertically to the preferred position.
3. Turn the thumbnut clockwise to hold it in the preferred position.

INSTALLING THE LAMP

1. Loosen the thumbscrew on the adjustable shield and remove it from the fixture body.
2. Unscrew the fixture body from the base.
3. Install the lamp in the socket with the tension spring behind the body of the lamp.
4. After lamp is installed, compress the tension spring as you thread the metal body into the base.
5. Return the adjustable shield to the preferred position and tighten the thumbscrew to hold it in place.

INSTALLING FIXTURES IN SURFACE MOUNT APPLICATIONS

IMPORTANT: DO NOT INSTALL ON OR NEAR ANY HIGH VOLTAGE POWER LINES

1. Align the bracket mounting holes with the surface to which to mount the fixture.
2. Use a white paint marker to mark the mounting holes on the surface. Then use a 1/4" drill bit to drill pilot holes.
3. Thread one of the stainless steel nuts onto the bolt ends of each screw/bolt.
4. Use an adjustable wrench to affix the screw ends into the pilot holes.
5. Align the mounting bracket with the U slot facing upward over both bolt ends.
6. Thread the stainless steel nuts to the bolt ends and tighten them against the bracket.
7. Pass the fixture wires through the brass nut and thread it onto the fixture body.
8. Pass the fixture wires through the top of the bracket.
9. Rest the threaded portion of the knuckle into the U portion of the bracket with the brass nut on the inside.
10. Use the stainless steel wrench provided to tighten the brass nut as you position the fixture toward the illumination target.
11. Use the Lighting Shrink cable connections provided to connect the fixture wires to the main cable.