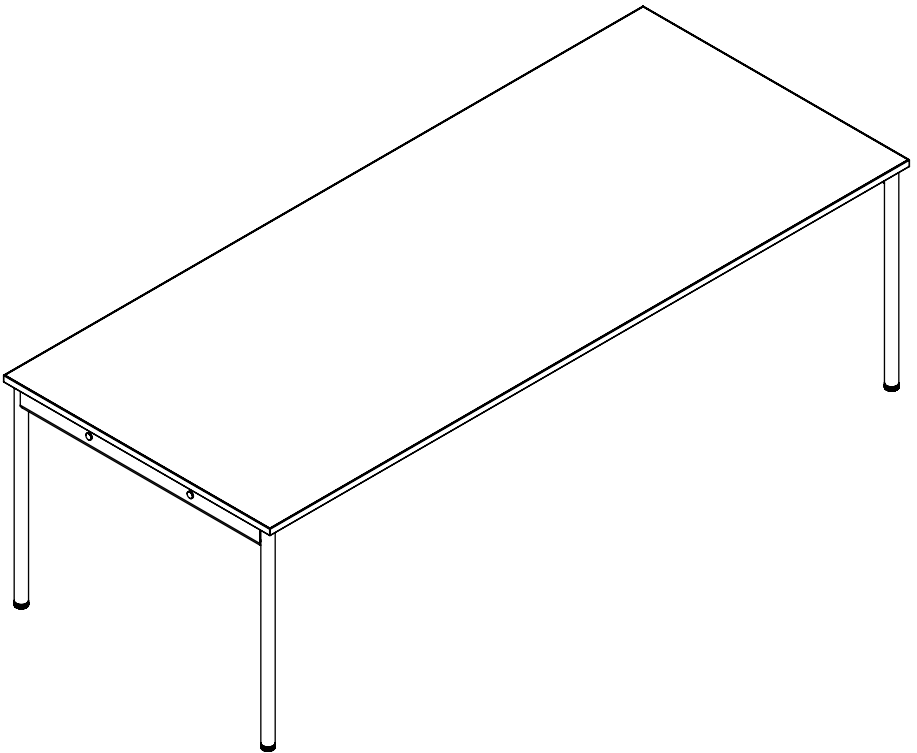


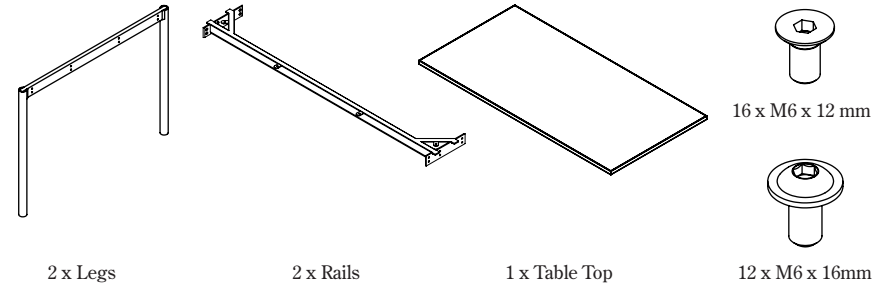
Audo

CO-TABLE
Designed by Norm Architects

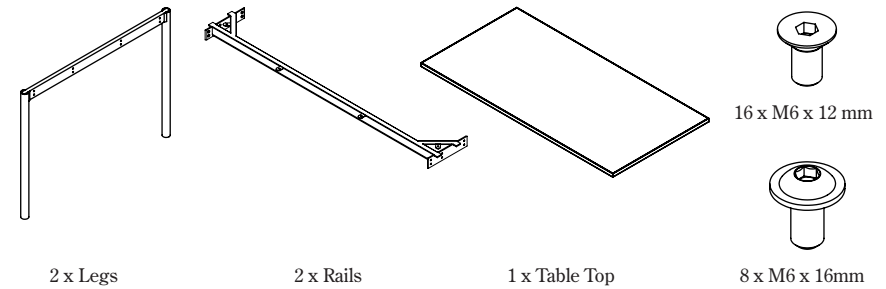


COPENHAGEN

Component overview Co-Table 240x100



Component overview Co-Table 140x70



Congratulations with your new
CO-TABLE designed by *Norm Architects*.

We hope you will enjoy using this item and follow
these instructions to ensure correct assembly.

These instructions are provided for your safety.
It is important that the instructions are read carefully
and completely before assembling.

Tools Needed



1 x Allen key 5mm

Caution

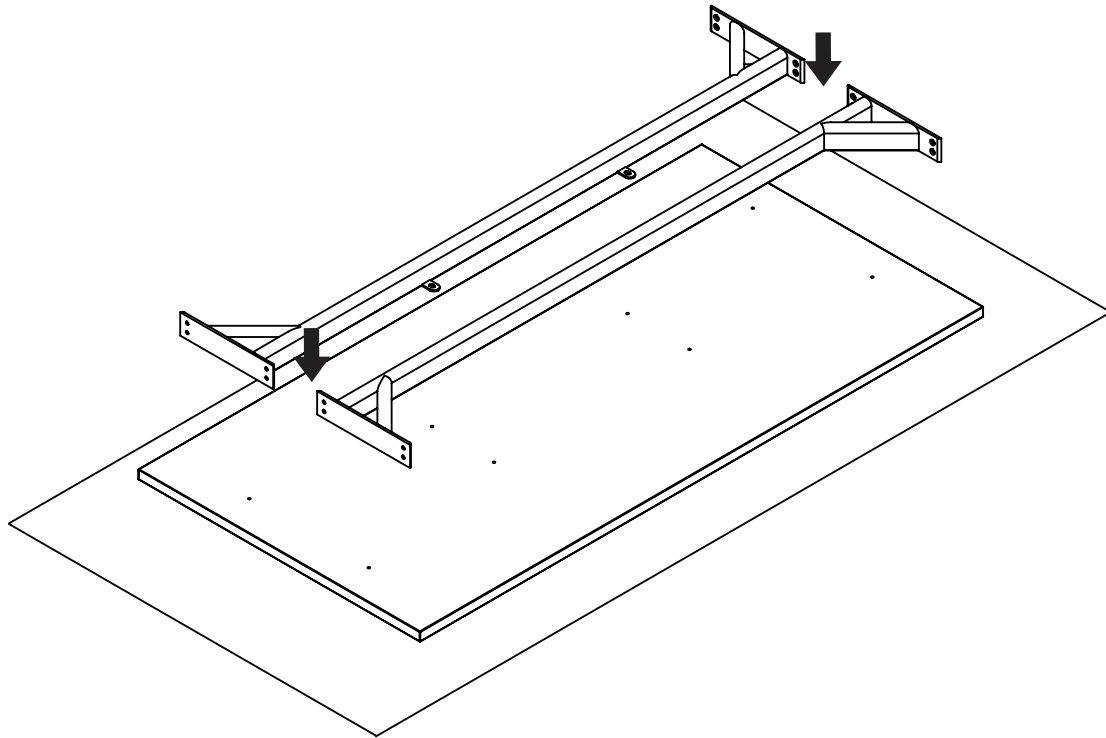
It takes two people to assemble the table.
Make sure to assemble on soft and clean surface, such as the cardboard it comes in to
avoid scratches.

Care and maintenance

Please see care instructions on www.audocph.com.

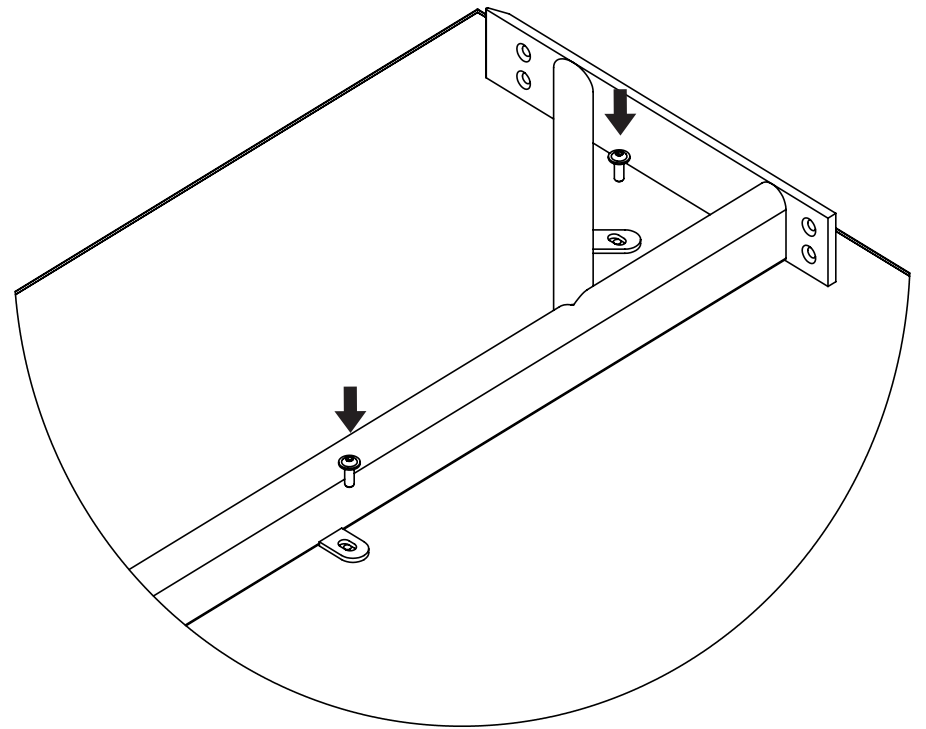
1

Coution.
Assemble on soft and clean surface.

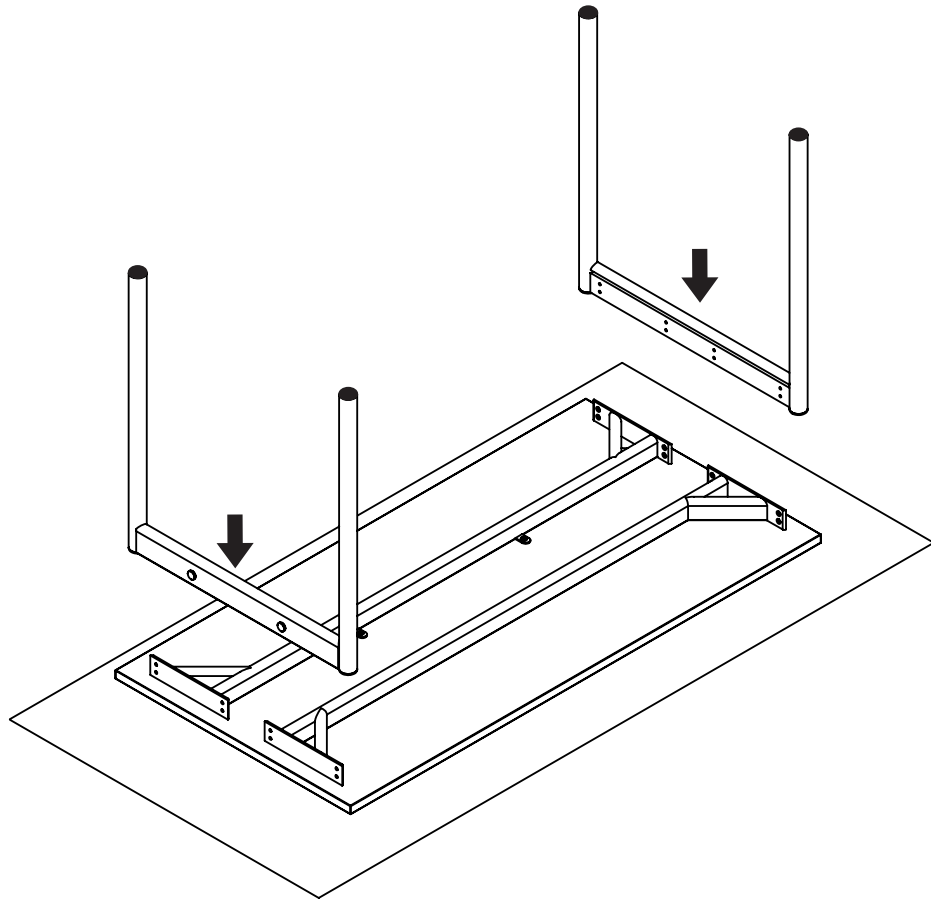


2

Use the allen key and this screw to fasten the rails
onto the table top.

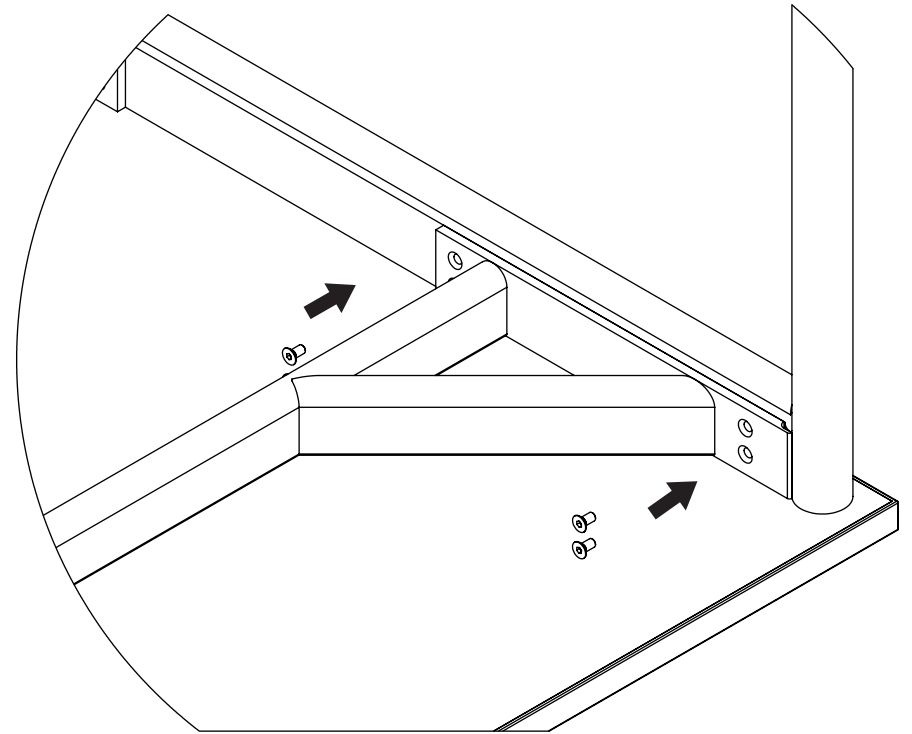


3



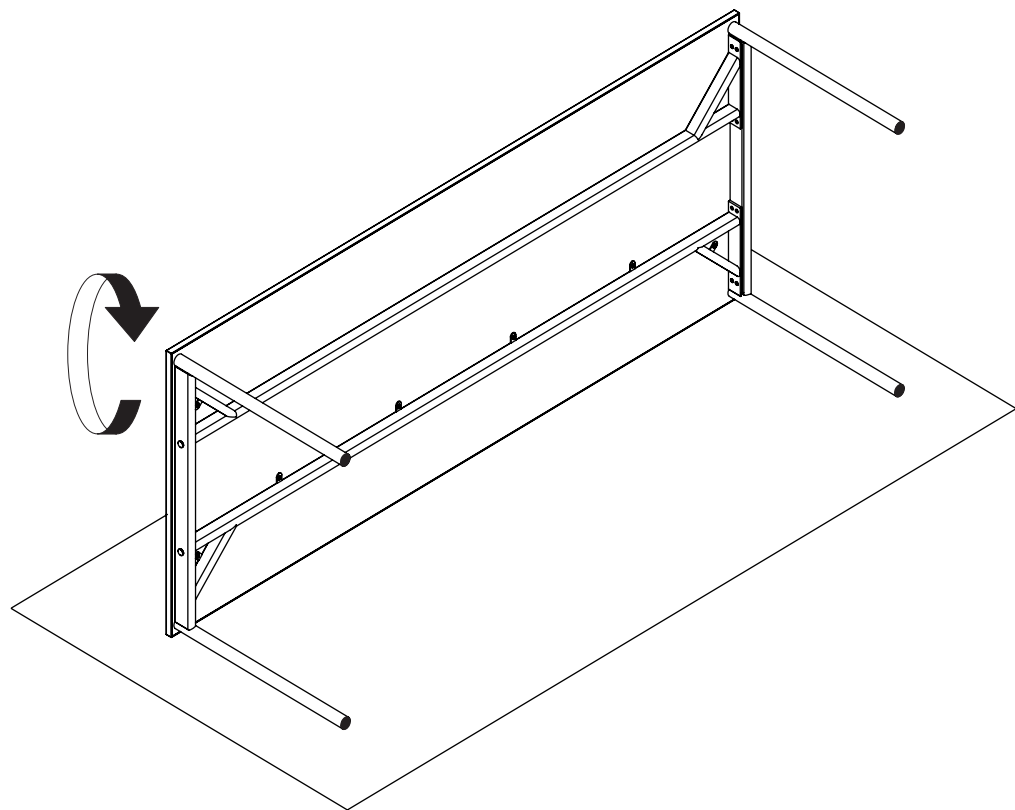
4

Use the same allen key and rest of the screws to fasten the table legs to the rails.



5

Turn the table over onto the feet



6

