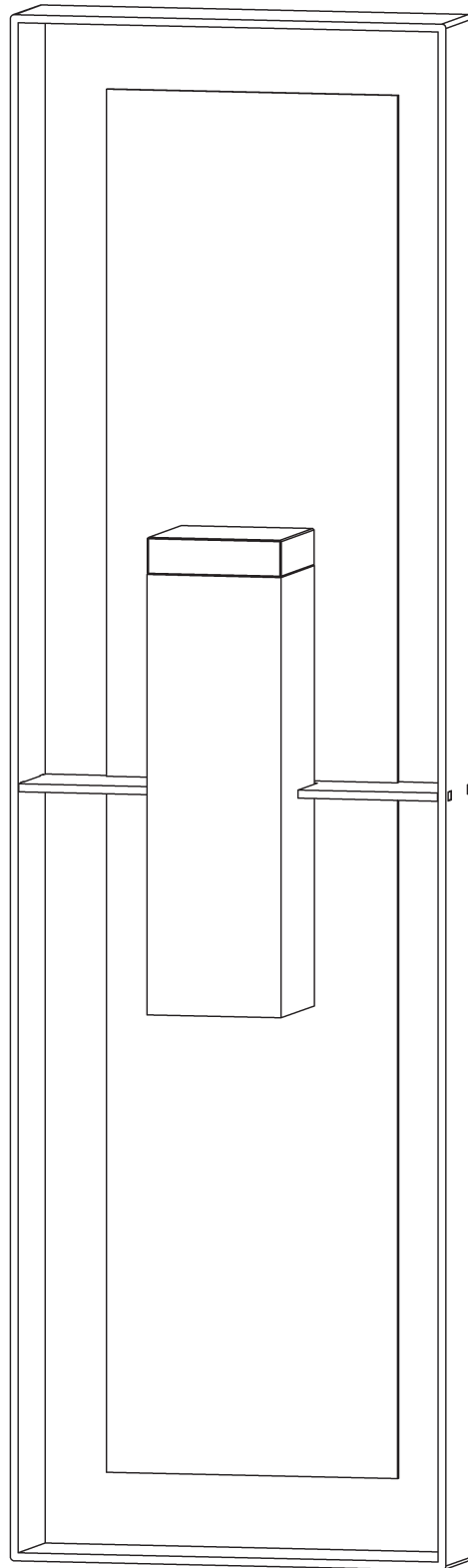


# ASSEMBLY & INSTALLATION INSTRUCTIONS

**B502**

Shadow Box Outdoor Sconce Extra Tall 302608

---



## Component Parts

- A. Fixture**
- B. Crossbar**
- C. Threaded Stud**
- D. 8-32 Screw (2)**
- E. Cupped Washer**
- F. Ground Screw**
- G. Safety Cable**
- H. Caulking Lip**
- I. Thumb Screw**
- J. Square Tube**
- K. Flat Head Thumb Screw**
- L. Glass Block**
- M. Bulb (Not Included)**
- N. Socket**
- O. Glass Shield**
- P. Curved Plate**

# ASSEMBLY & INSTALLATION INSTRUCTIONS

B502

Shadow Box Outdoor Sconce Extra Tall 302608

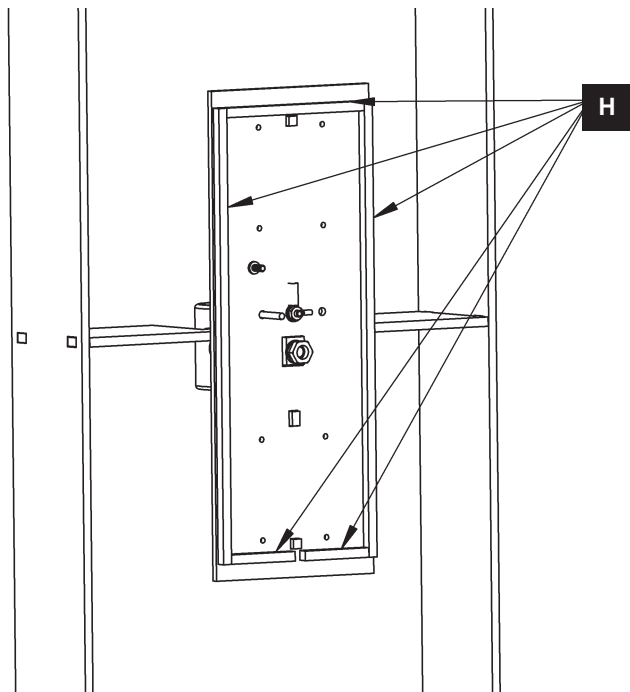
**CAUTION: FAILURE TO INSTALL THIS FIXTURE PROPERLY MAY RESULT IN SERIOUS PERSONAL INJURY OR DEATH AND PROPERTY DAMAGE.** We recommend installation by a licensed electrician. This product must be installed in accordance with applicable installation code(s), by a person familiar with the construction and operation of the product and the hazards involved.\*

Please Note: After installation extra hardware and accessories are possible due to our kits are used on multiple products and options.

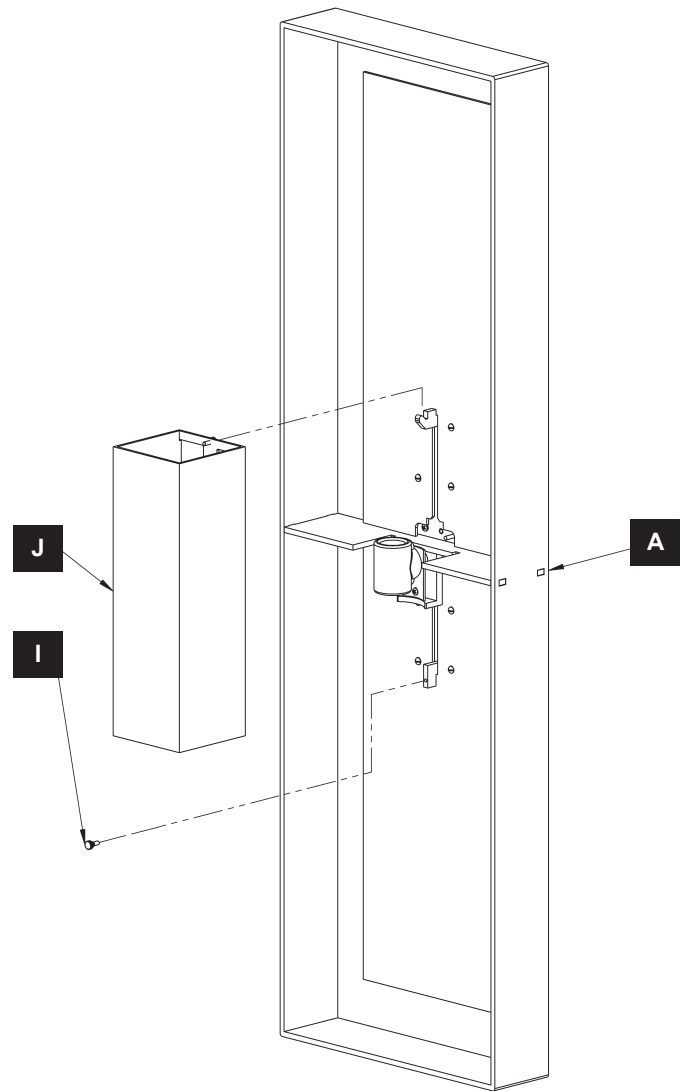
## To Prepare Fixture (Figures 1,2)

**CAUTION: BE SURE POWER IS OFF AT THE MAIN BREAKER BOX PRIOR TO INSTALLATION.**

1. Carefully unpack the fixture from the carton.
2. Loosen thumb screw (I) and remove square tube (J). (Figure 1) Set parts aside for later.
3. Apply a generous bead of a suitable caulking material (not provided) to caulking lip (H) on the fixture. Caulk should be applied around the entire perimeter of the back plate. (Figure 2)
4. See instructions on next page to install to wall.



(Figure 2)



(Figure 1)

Shadow Box Outdoor Sconce Extra Tall 302608

## To Install Fixture On Wall (Figures 3,4)

- Using two machine screws (not provided) fasten crossbar (B) and safety cable (G) to the electric box with the slot in crossbar pointing down. (Figure 3)

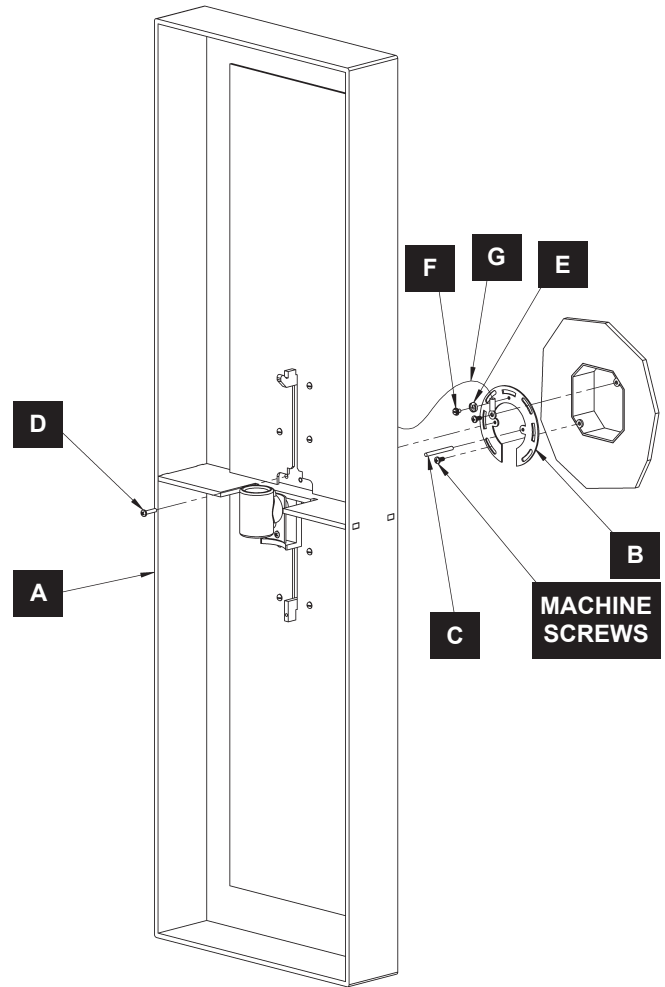
**Note:** A new electric box comes with screws. When replacing a fixture, retain the existing screws for use with the new fixture.

- Thread stud (C) into one hole in crossbar (B) that lines up with hole in the fixture (A).

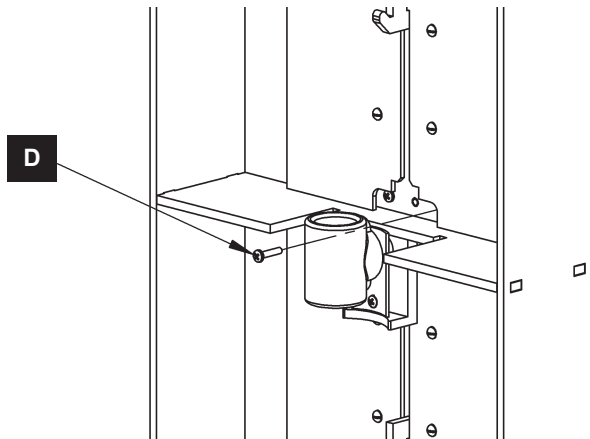
**Note:** Threaded stud (C) is temporary and only used to facilitate install.

- Hold fixture (A) close to wall. Using suitable wire connectors (not provided) connect fixture wires to supply wires (white to white and black to black). Attach a pigtail lead to crossbar (B) using cupped washer (E) and ground screw (F). Connect all ground wires (bare copper or green to bare copper or green).

**CAUTION:** MAKE SURE WIRE CONNECTORS ARE TWISTED ON SECURELY AND NO BARE WIRES ARE EXPOSED.



(Figure 3)

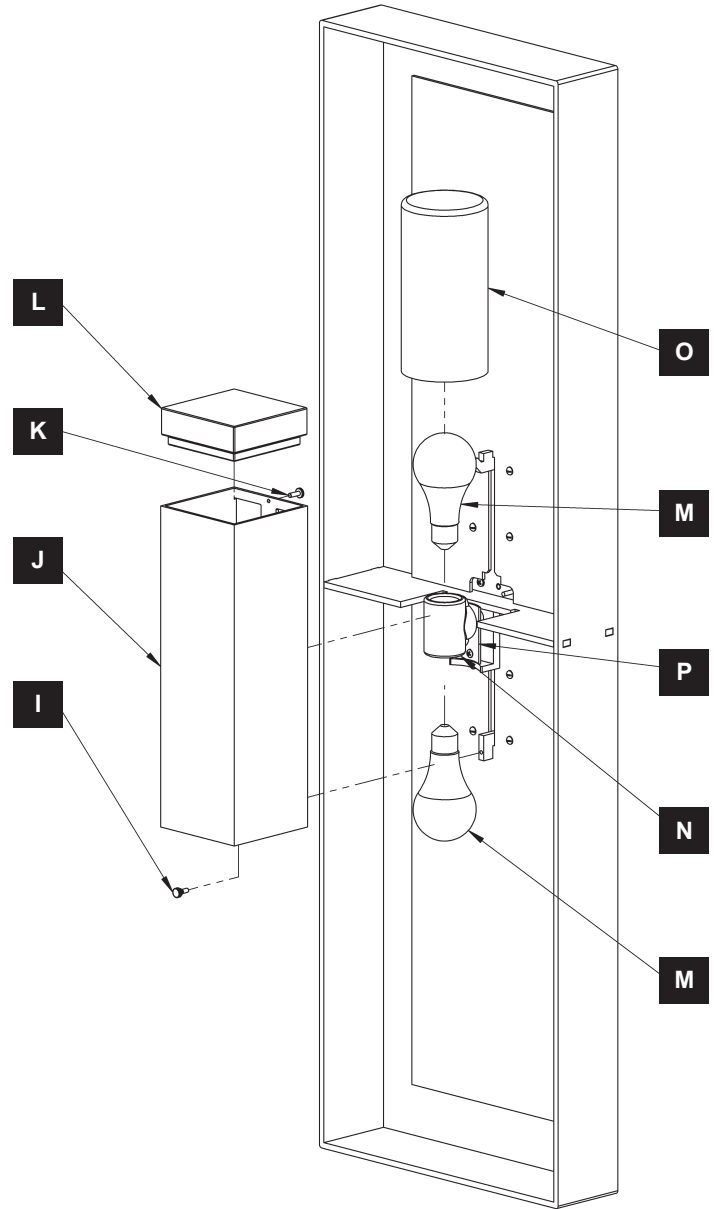


(Figure 4)

- Slide fixture (A) over threaded stud (C) and push firmly to wall, making sure that no wires are pinched between fixture back and wall. Fasten opposite side with 8-32 screw (D). (Figure 3)
- Remove threaded stud (C), then secure with second 8-32 screw (D). (Figure 4)
- See instructions on next page to complete installation.

## To Complete Installation *(Figures 5)*

1. Loosen flat head thumb screw (K) in top of square tube (J) but do not remove it completely. (Figure 6)
2. Set glass block (L) on top of square tube (J) so that the hole in the glass block is aligned with flat head thumb screw (K). Tighten flat head thumb screw (K) to secure glass block (L).
3. Install bulbs (M) (not included) into the socket (N).
4. Install glass shield (O) over the top bulb (M) and let it rest on fixture (A) with the curved plate (P) on the inside of the glass shield (O).
5. Carefully slide square tube (J) around glass shield (O). Use thumb screw (I) to secure the square tube with attached glass block (L) to fixture (A). Tighten thumb screw (I) against square tube to secure it to fixture (A).
6. Restore electricity at main breaker.



(Figure 5)

*If you need further assistance, or find that you are missing any parts, please contact the dealer from which you purchased this product. We hope you enjoy your fixture!*

**\* Hubbardton Forge will not be liable for injury or damage caused by improper installation, lamping or use of this fixture.**