

INSTALLATION INSTRUCTION

LED Task Light

BL113610

WAC

CAUTION: To prevent electrical shock, ensure electricity has been turned off at the circuit breaker before beginning.

- Read all instructions before installing.
- System is intended for installation by a licensed electrician in accordance with the National Electrical Code (NEC) and local regulations.
- When handling the fixture, do not apply pressure to the LEDs. Hold the fixture by the base only.
- Retain installation instructions for future maintenance reference.

WARNING: All parts must be used as indicated in these instructions. This product is designed for use only with the supplied parts and/or accessories designated for use by WAC. Substitution of parts or accessories not designated for use with this product by WAC could result in personal injury or property damage, and will void the warranty. Contact an authorized dealer or the manufacturer if any parts are damaged or missing.

MAINTENANCE NOTE: Coastal conditions may cause mineral and residue build-up on the fixture. We recommend that customers in coastal areas clean all external surfaces of the fixture once every two weeks with a wet cloth.

MISE EN GARDE: Pour éviter tout choc électrique, assurez-vous que le disjoncteur soit mis hors tension avant de commencer.

- Lisez toutes les instructions avant l'installation.
- Le système doit être installé par un électricien licencié conformément au code national de l'électricité (NEC), et également aux règlements locaux.
- Lors de la manipulation du luminaire, n'appuyez pas sur les LED. Tenez-le uniquement par la base.

ATTENTION: Toutes les pièces doivent être utilisées comme indiqué dans ces instructions. Ce produit est conçu pour être utilisé seulement avec les pièces et/ou accessoires fournis pour être utilisés avec les produits WAC. Remplacer des pièces ou accessoires non conçus pour ce produit WAC pourrait causer des dommages corporels ou matériels et pourrait également causer l'annulation de la garantie. Veuillez contacter un revendeur autorisé ou le fabricant si des pièces manquent ou sont endommagées.

NOTE D'ENTRETIEN: Les conditions côtières peut causer une accumulation de minéraux et de résidus sur le luminaire. Nous recommandons aux clients qui résident dans les zones côtières de nettoyer toutes les surfaces externes du luminaire une fois toutes les deux semaines avec un chiffon humide.

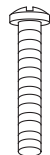
HARDWARE

A



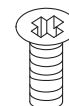
Wire Connector
Qty: 4pcs

B



Junction Box Screw
Qty: 3pcs

C



Mounting Screw
Qty: 1pc

Waclighting.com
Phone (800) 526.2588
Fax (800) 526.2585

Headquarters, East Manufacturing Facility
44 Harbor Park Drive
Port Washington, NY 11050

South East Manufacturing Facility
1600 Distribution Ct
Lithia Springs, GA 30122

Central Manufacturing Facility
1700 South J Elmer Freeway, Ste 100
Cedar Hill, TX 75104

West Manufacturing Facility
1750 S Archibald Ave
Ontario, CA 91761

Fig.1

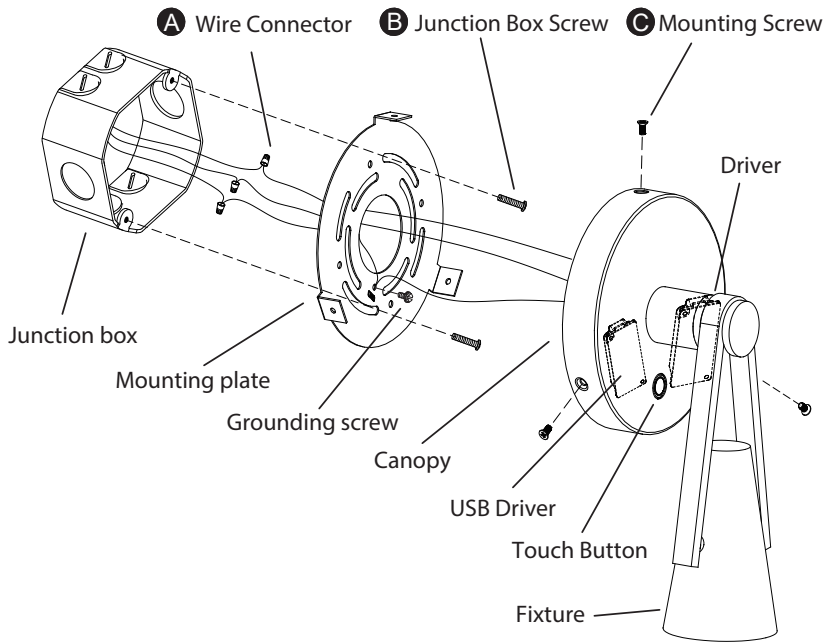


Fig.2 Wiring

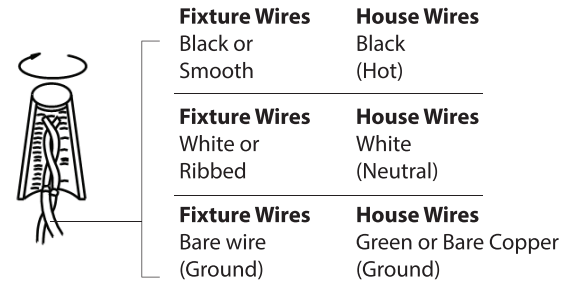
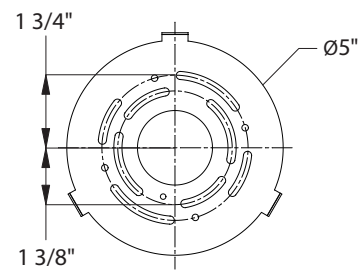


Fig.3 Mounting Plate Dimensions



PREPARATION

- Carefully unpack your new fixture and lay out all the parts on a clear area. Be careful not to lose any parts necessary for installation.
- Shut off the power at the circuit breaker and remove existing fixture, including the crossbar.

MOUNTING THE FIXTURE (Fig. 1)

- Remove the mounting screws (C) from the fixture, take down the mounting plate.
- Secure the mounting plate to the junction box using the junction box screw(B) in the parts package.
Note: (i) Using any other non-original-manufacturer provided junction box screw may result in safety issue;
(ii) The side of the mounting plate marked "GND" must face out.

CONNECTING THE WIRES (Fig. 2)

- Connect the fixture input wires to the junction box wires as shown in Fig. 2 using wire connectors (A) provided. Ensure wire connectors are secure. Connect the fixture's ground wire to the ground in the junction box; this will be either a green wire or a bare copper wire. After fixture is wired to house wires, tuck wires carefully inside the junction box.
- The lamp can be switched between four color temperatures (2700K-3000K-3500K-4000K) by touch buttons and can also be dimmed.

COMPLETING THE INSTALLATION (Fig. 1)

- Mount the canopy against the mounting plate. Secure the fixture using the mounting screws (C).

Touch button function

4CCT Touch dimming logic			
Operation mode	Short press count	CCT	Explanation
Short press	The first time	Open (2700K)	Each time a short press is made, the status of the lamp will switch once in the following fixed sequence: Close → Open (2700K) → 3000K → 3500K → 4000K → Close
	The second time	3000K	
	The third time	3500K	
	The fourth time	4000K	
	The fifth time	Close	
Long press	Long press the time	Brightness	1. When the brightness drops to 5% after long pressing for 5-8 seconds, it will not change even if you continue to press for a long time without releasing your hand. 2. If you need to increase the brightness, release and hold down for 5-8 seconds again. It can be adjusted to 100%.
	About 5-8 seconds	100%-5% smooth variation	