

**hollis+morris**



**bennington**  
pendant  
product installation + specifications



# bennington pendant

product code:

**BENNstandard**

**BENNwide**

materials:

- + solid W.Oak or Walnut
- + 24V LED extrusion
- + suspension hardware

finish:

- + hardwax oil

input:

- + 120V 50/60 Hz (Canada + US)

output:

- + 19.5 W/metre
- + 3ft: 18W, 4ft: 24W, 6ft: 36W
- + 1040 lm/metre
- + 3000K with CRI of 95 or higher
- + equivalent incandescent 75-100W

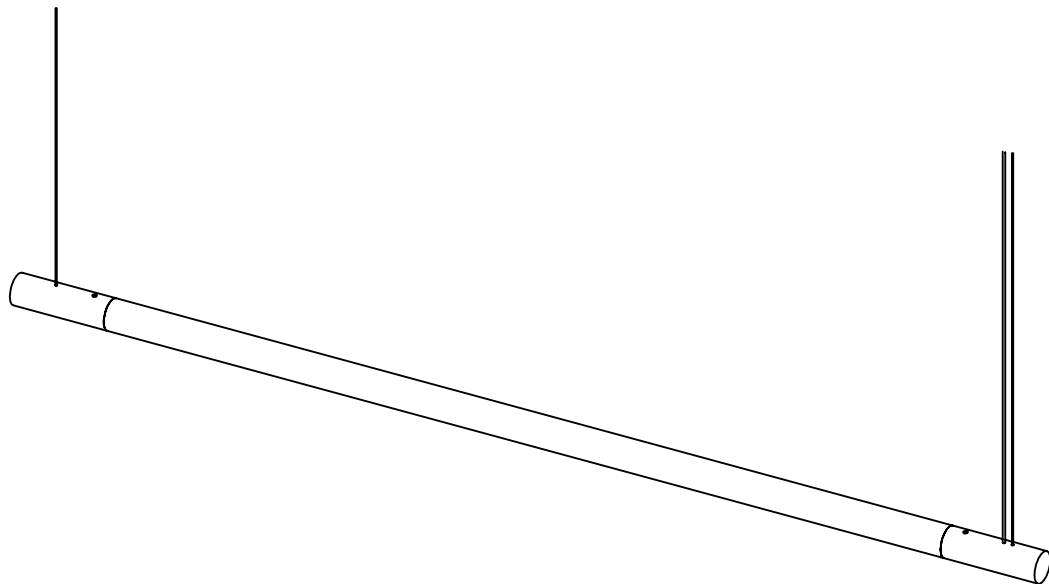
driver:

- + 120V - 24V fully dimmable
- + driver included w/ canopy

suspension:

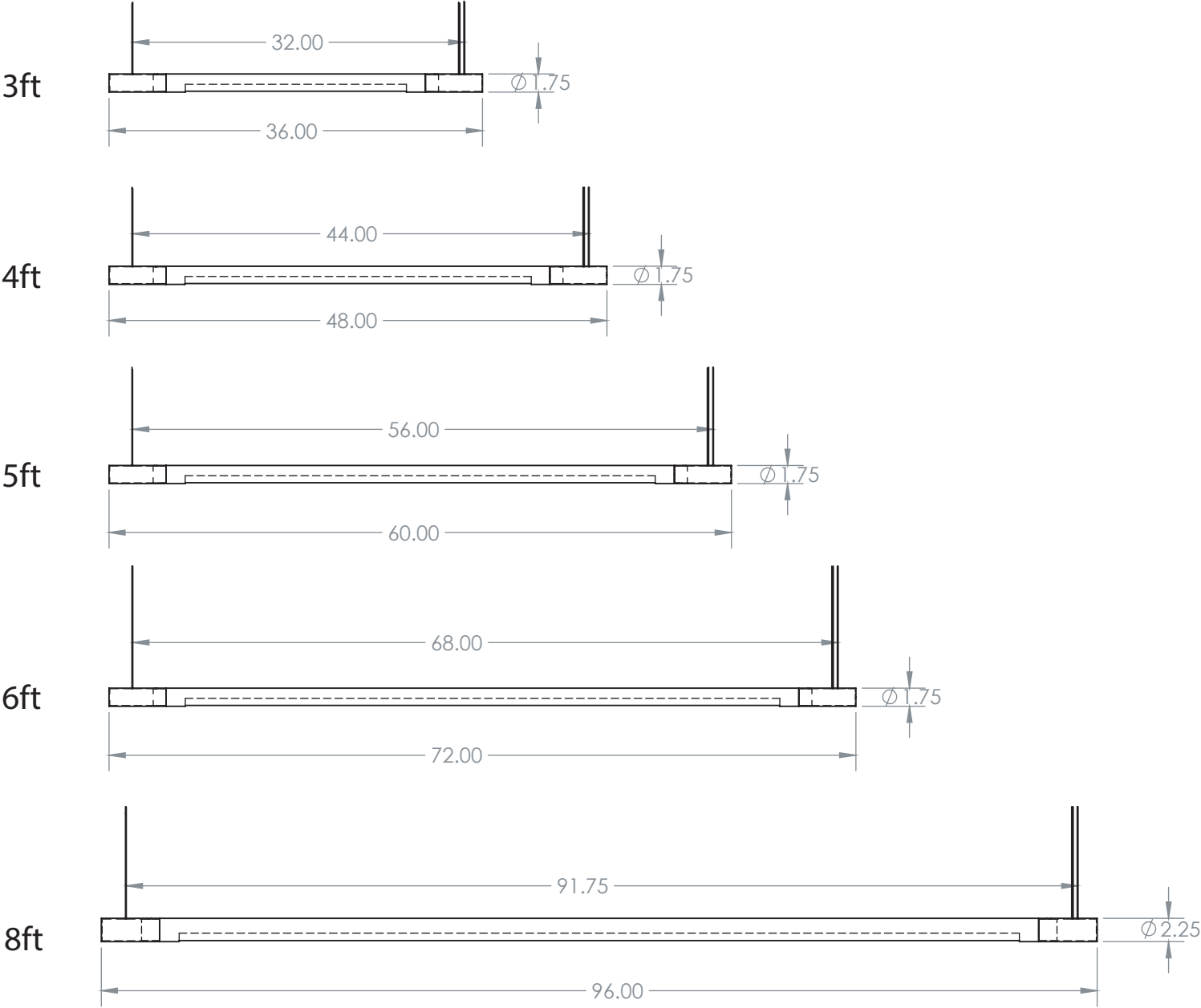
- + cord length: 10' standard  
(custom length available)
- + 2 point suspension (per fixture)
- + single canopy connection

certification:

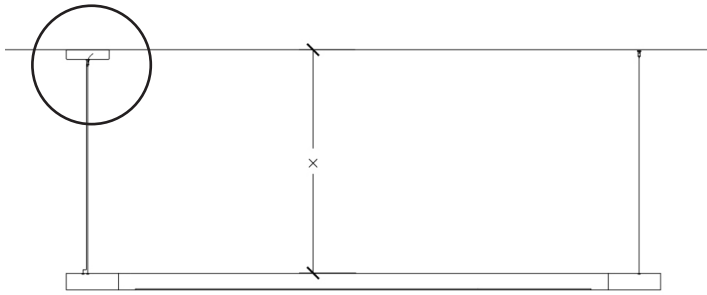


# dimensions + installation

elevation views:



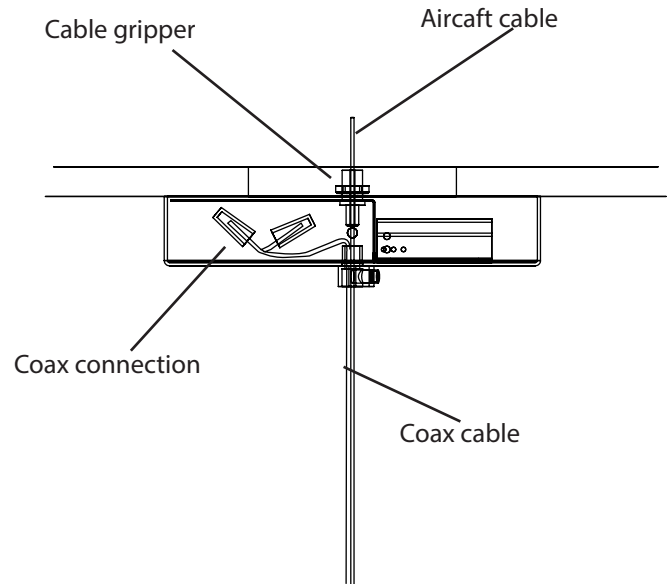
# dimensions + installation



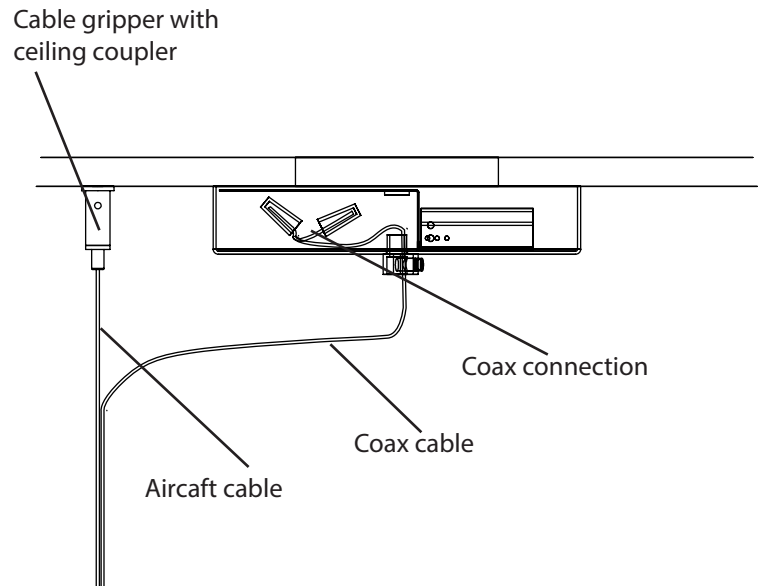
elevation view - canopy connection

1. Locate desired canopy location on ceiling & have a certified electrician supply and install to 120V power
2. Connect braided suspension cable from fixture to ceiling or canopy as illustrated on the right.
3. Feed insulated power line into canopy as illustrated on the right.
4. Connect +/- leads to 24V transformer w/in canopy. \*\*\*
5. Secure all connections.
6. Adjust all cables to desired heights (standard x length max. = 144")

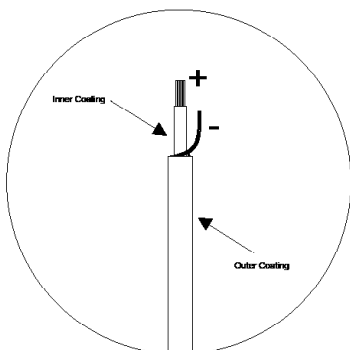
## Option A - Support from canopy



## Option B - Support from ceiling



### \*\*\* COAX CABLE

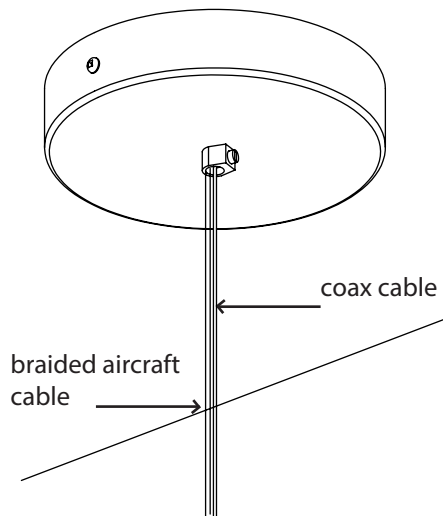


coax cable requires  
ping of outer and  
r coatings to access  
tive and negative  
section wires

# dimensions + installation

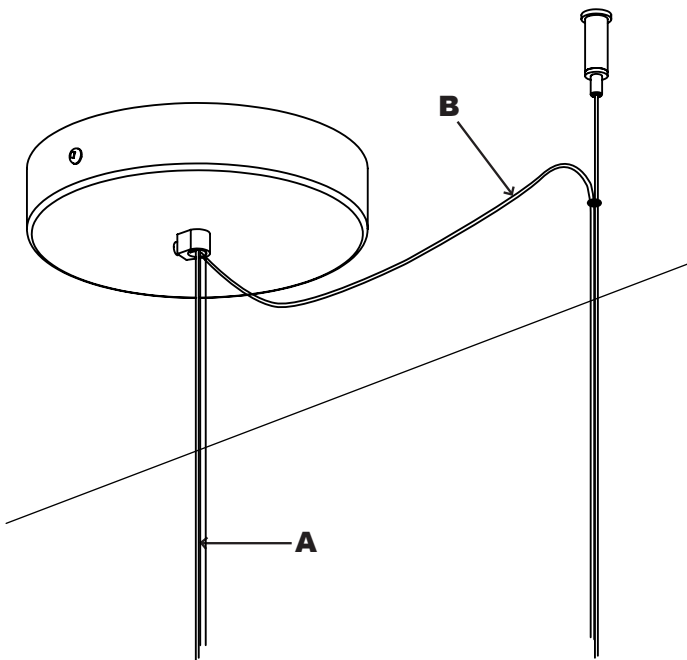
## SINGLE FIXTURE CANOPY CONNECTION

Coax runs into canopy



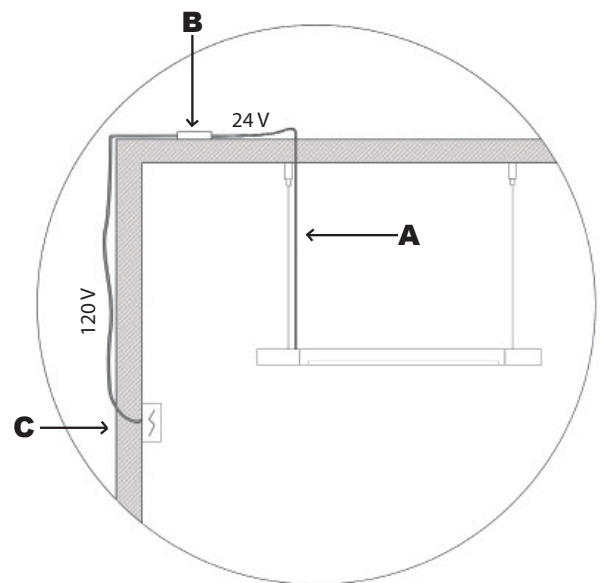
## MULTIPLE FIXTURES CANOPY CONNECTION

- A** Coax runs into canopy
- B** Second coax runs up to ceiling and drops over to enter power feed canopy



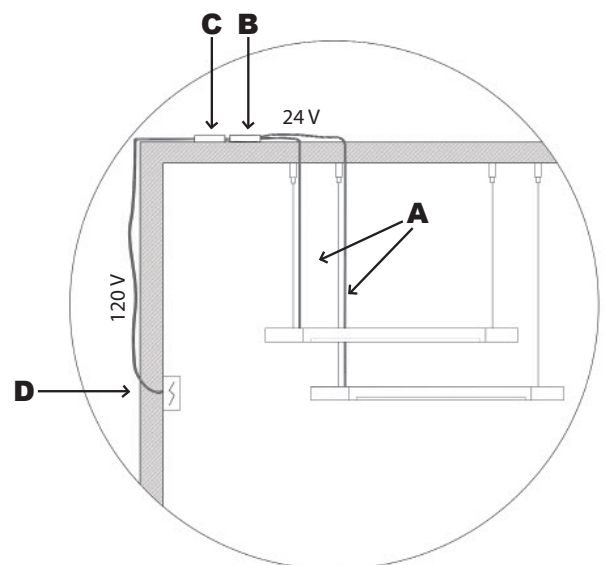
## SINGLE FIXTURE CONNECTION INTO REMOTE DRIVER

- A** Coax from fixture runs up into ceiling to connect to remote driver (B)
- B** Remote driver (supplied w/ fixture) installed in ceiling
- C** Remote driver connects to power supply



## MULTIPLE FIXTURES INTO REMOTE DRIVER

- A** Coax from multiple fixtures runs up into ceiling to connect to remote driver (B)
- B** Remote driver (supplied w/ fixture) installed in ceiling
- C** Remote driver (B) connects to remote driver (C)
- D** Remote driver (C) connects to power supply



# dimensions + installation

## PENDANT GRIPPER ASSEMBLY

