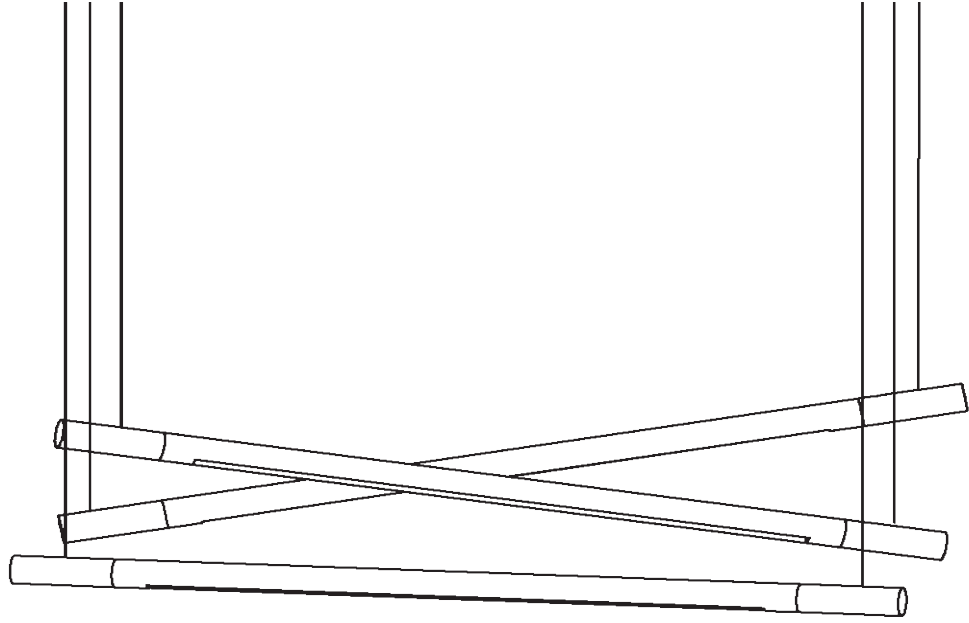


hollis+morris



bennington pendant

product installation + specifications



bennington pendant

product code:

BENNstandard
BENNwide

materials:

- + solid wood
- + metal
- + 24V LED extrusion
- + suspension hardware

finish:

- + hardwax oil
- + powder coated or plated steel
- + stainless steel hardware

input:

- + 120V 50/60 Hz (Canada + US)

driver:

- + 24V phase dimmable driver
- + driver included with canopy

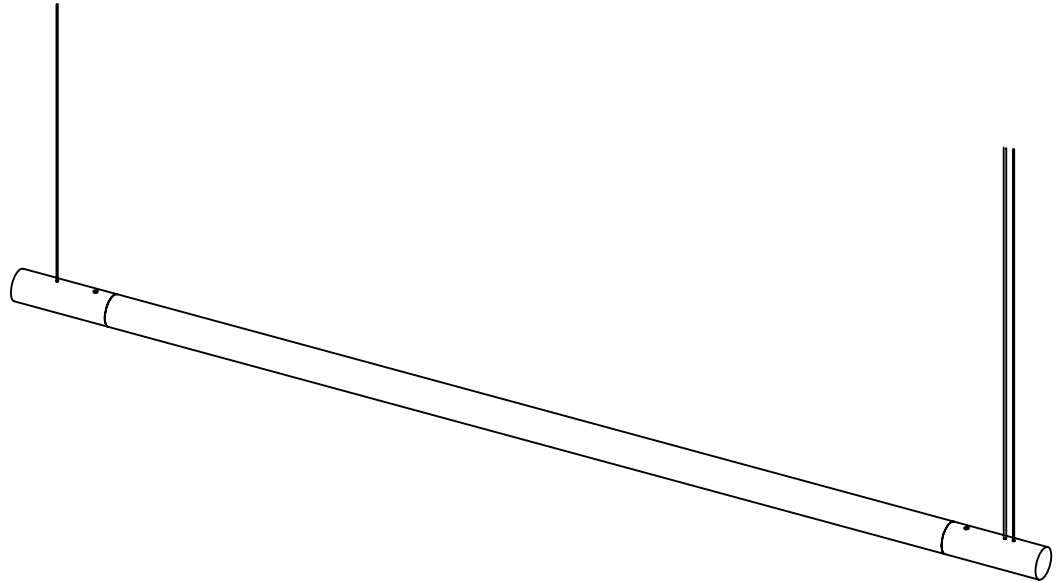
output:

- + 5.9 W/foot
- + 3000K with CRI of 95 or higher
- + 317 lm/foot
- + equivalent incandescent- 75-100W

suspension:

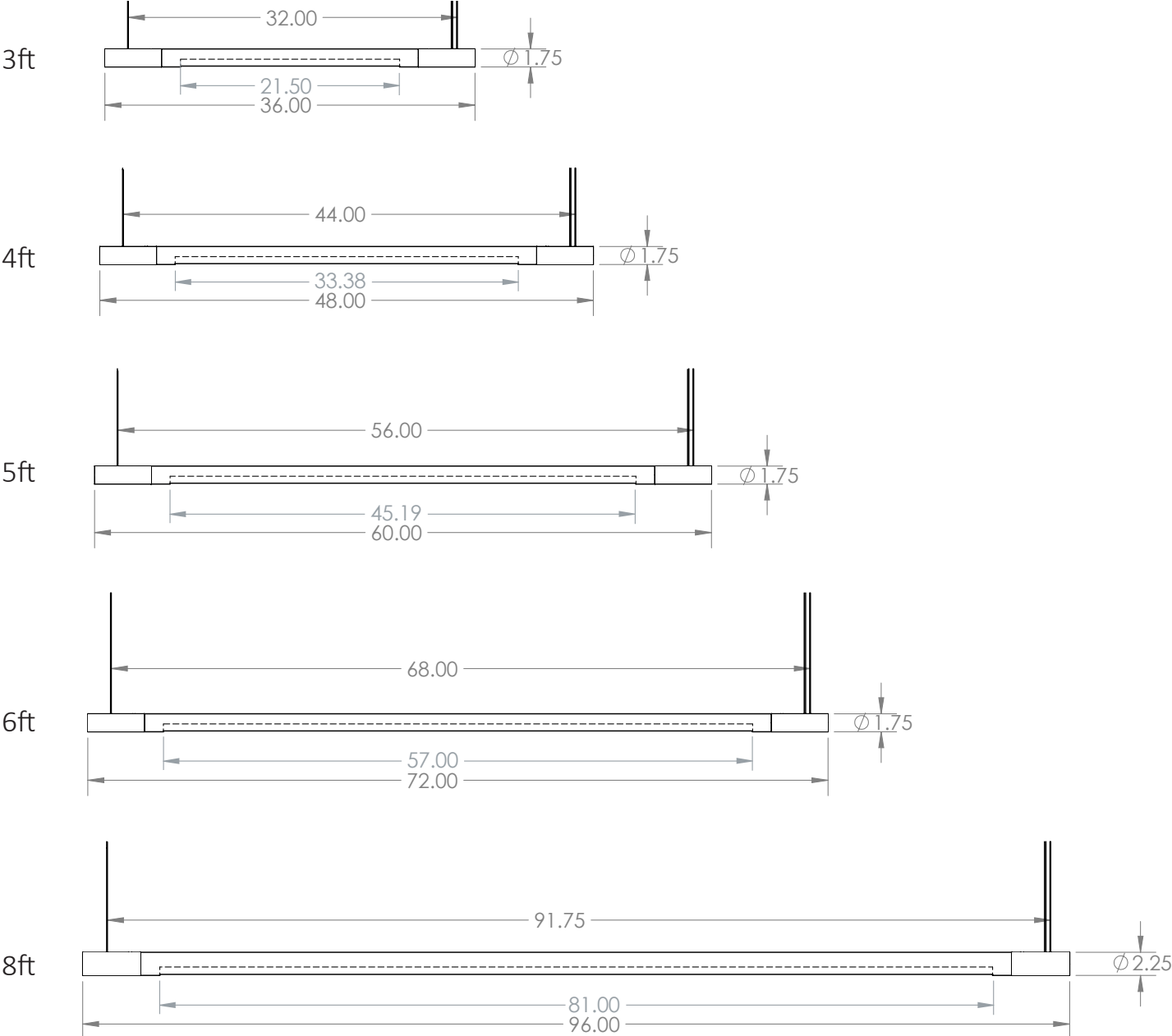
- + cord length: 10' standard
(custom lengths available)
- + 2-point suspension (per fixture)
- + single canopy connection

certification:

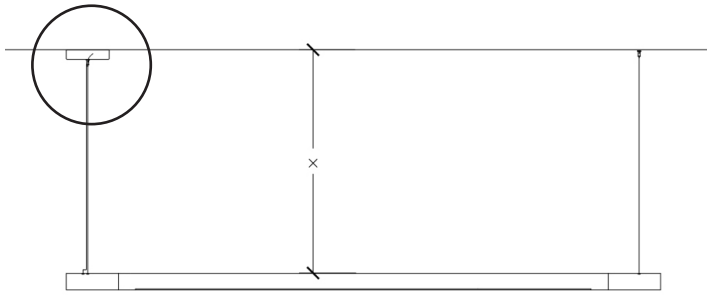


dimensions + installation

elevation views:



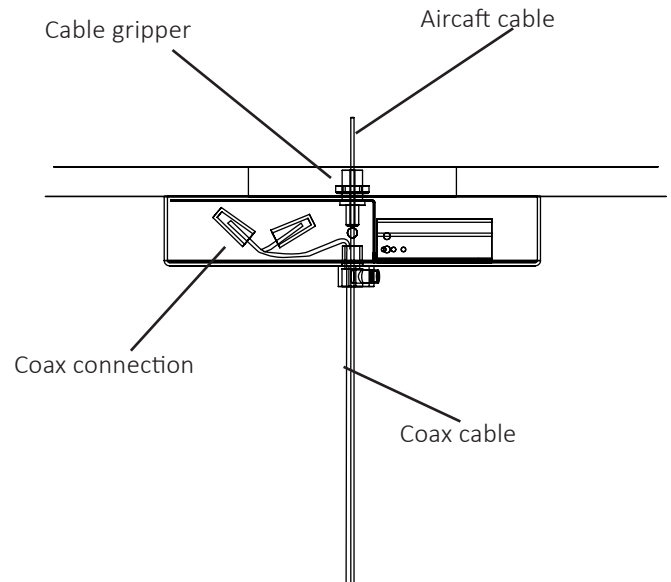
dimensions + installation



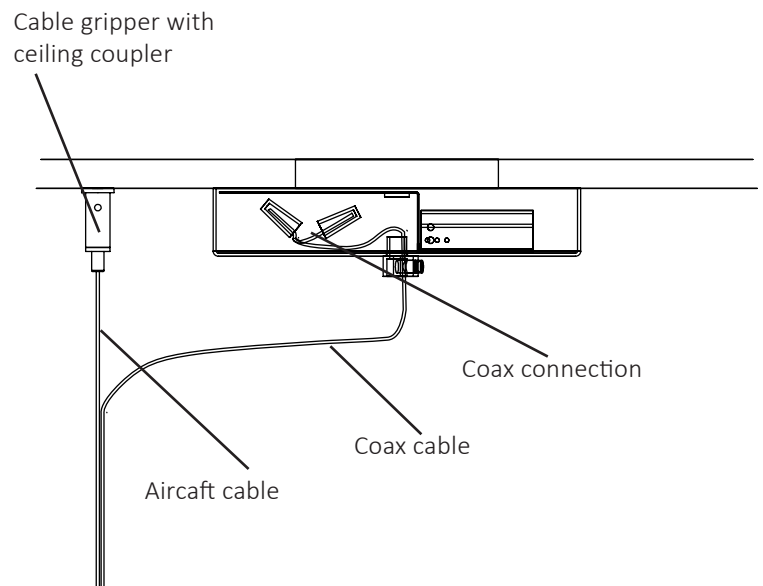
elevation view- canopy connection

1. Locate desired canopy location on ceiling & have a certified electrician supply and install to 120V power
2. Connect braided suspension cable from fixture to ceiling or canopy as illustrated on the right.
3. Feed insulated power line into canopy as illustrated on the right.
4. Connect +/- leads to 24V transformer inside canopy. ***
5. Secure all connections.
6. Adjust all cables to desired heights (standard x length max. = 144")

Option A - Support from canopy

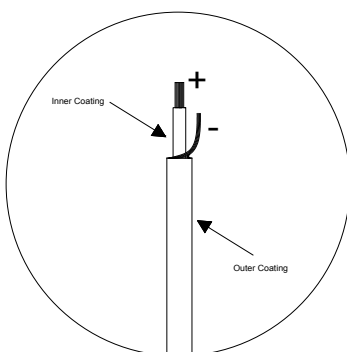


Option B - Support from ceiling



*** COAX CABLE

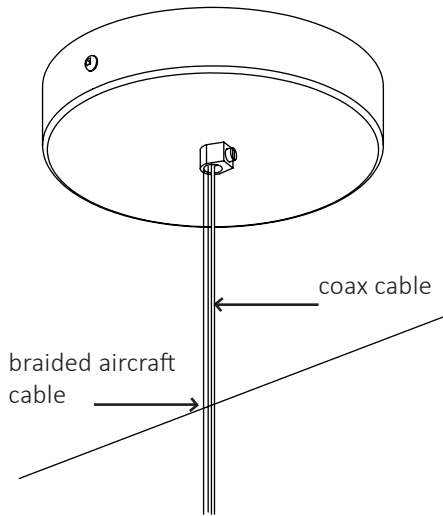
coax cable requires stripping of outer and inner coatings to access positive and negative connection wires



dimensions + installation

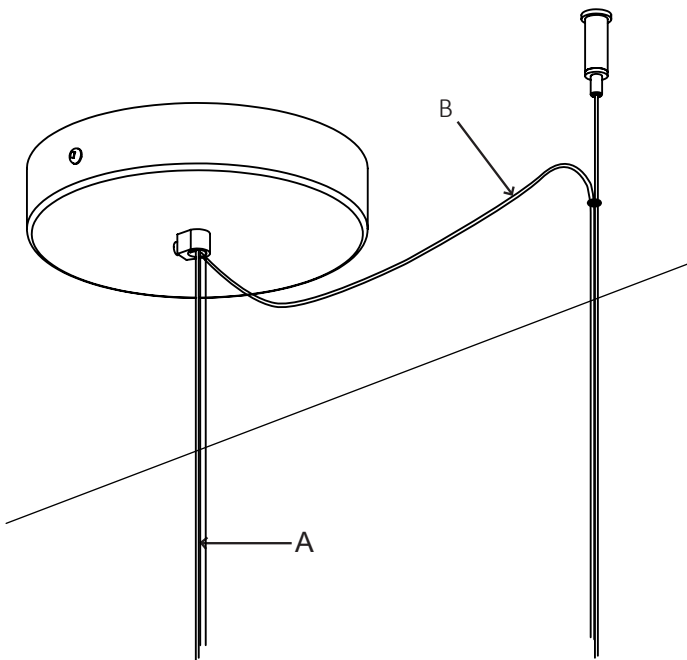
SINGLE FIXTURE CANOPY CONNECTION

Coax runs into canopy



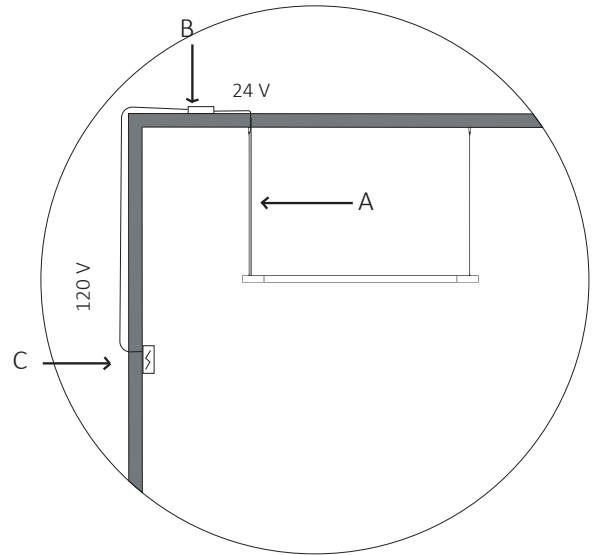
MULTIPLE FIXTURES CANOPY CONNECTION

- A** Coax runs into canopy
- B** Second coax runs up to ceiling and drops over to enter power feed canopy



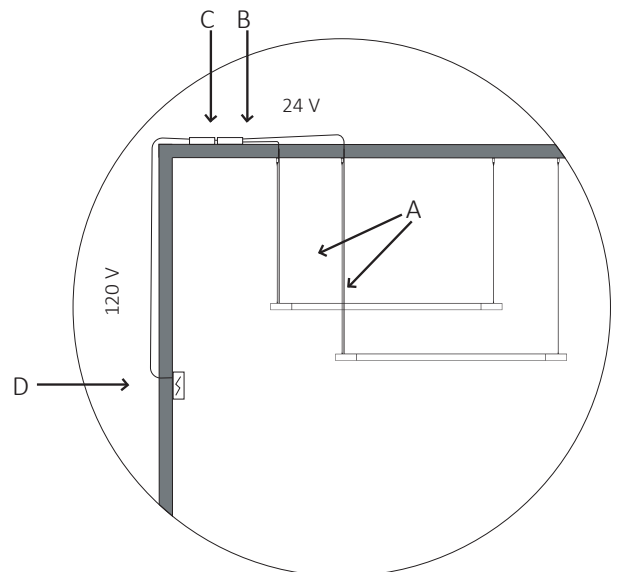
SINGLE FIXTURE CONNECTION INTO REMOTE DRIVER

- A** Coax from fixture runs up into ceiling to connect to remote driver (B)
- B** Remote driver (supplied with fixture) installed in ceiling
- C** Remote driver connects to power supply



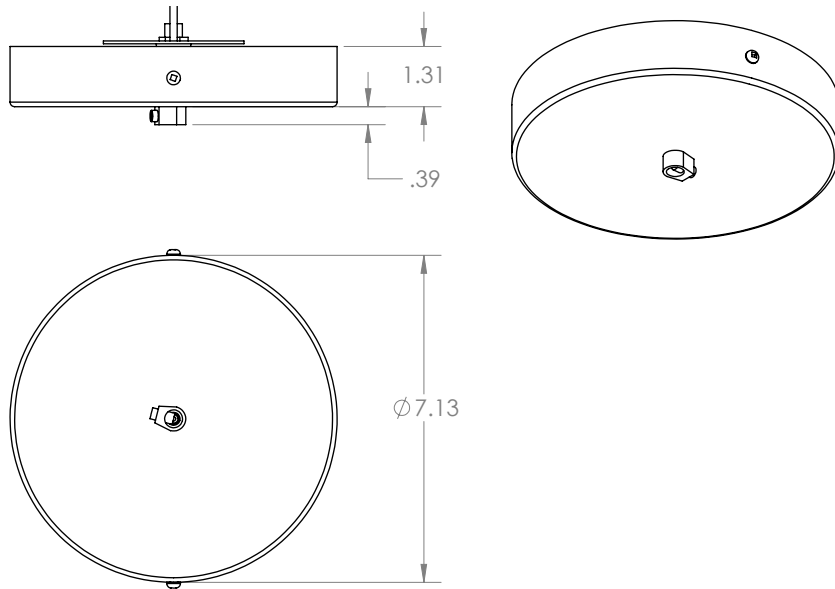
MULTIPLE FIXTURES INTO REMOTE DRIVER

- A** Coax from multiple fixtures runs up into ceiling to connect to remote drivers (B&C)
- B** Remote drivers (supplied with fixture) installed in ceiling
- C** Remote driver (B) connects to power supply
- D** Remote driver (C) connects to power supply

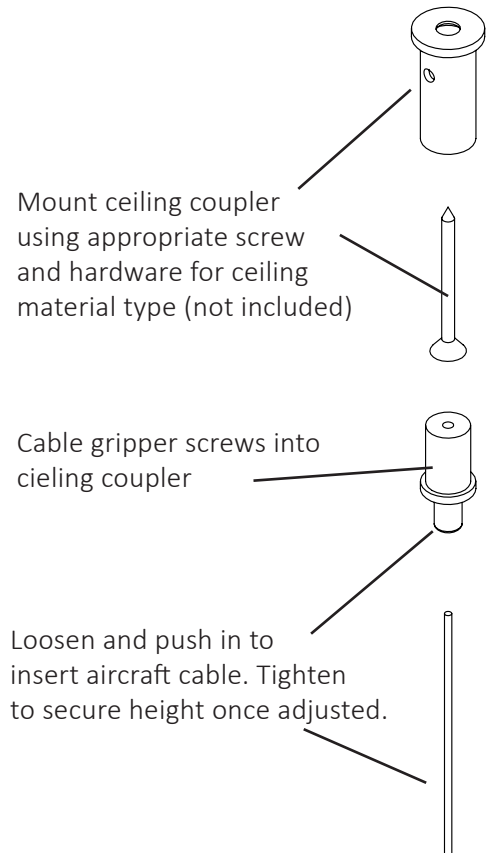


dimensions + installation

CANOPY DIMENSIONS



PENDANT GRIPPER ASSEMBLY



0-10 CANOPY DIMENSIONS (UPON REQUEST)

