

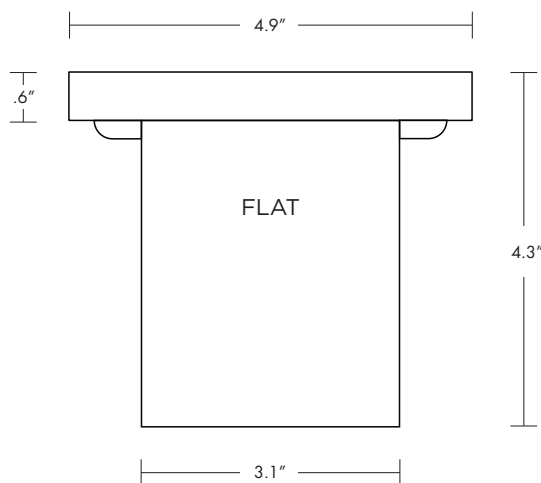
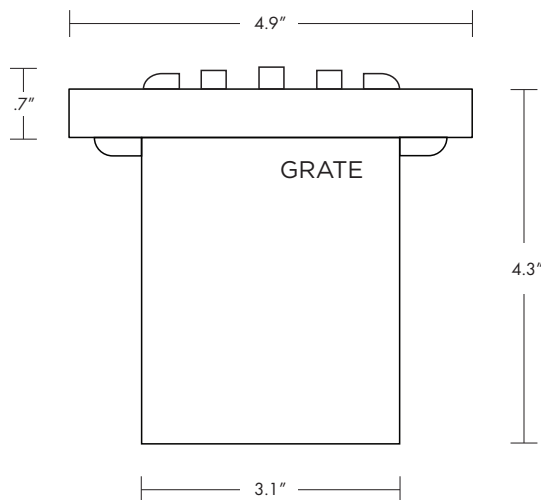
BISCAYNE MR16 Well Light

DESCRIPTION

The Biscayne Well Light comes in two top variations: flat glass or grate. Both the flat glass and grate tops come in a black finish. The Biscayne is fitted for any of our MR16 lamps and really comes to life with the Chameleon MR16 for RGBW applications.

BISCAYNE WELL LIGHT

Use	Well Lighting & Underground Up Lighting	
Finish	Top: Blackened Brass Body: Composite	
Includes	Lighting Shrink Professional Crimp and Heat Shrink Cable Connector	
Order With Lamp	MR16, 4W, 2700K, 30°	BISCAYNE-WL-MR16-FLAT BISCAYNE-WL-MR16-GRATE
Order Without Lamp	Fits Chameleon MR16, MR16	BISCAYNE-WL-MR16-FLAT-NL BISCAYNE-WL-MR16-GRATE-NL





BISCAYNE-WL-MR16-GRATE

INSTALLING THE LAMP

1. Loosen the Allen screws on the lens cap and remove.
2. Install the lamp into the socket.
3. Return the lens cap to the fixture base and hand tighten the screws.

INSTALLING THE FIXTURE

1. Dig a hole in the ground approximately 8" wide by 10" deep.
2. Connect the power cable to the fixture, leaving 2 feet of wire coiled in the bottom of the fixture for future service.
3. Pour 8" of pea gravel in the hole.
4. Place the fixture in the center of the hole.
5. Add more pea gravel to fill the hole 1" before the fixture lip. This allows for proper drainage around the fixture.
6. Place the specified lens assembly on the top of the fixture and tighten it Use the specified lens in all applications to protect from debris.
7. Apply glass wax on top of the lens to protect against standing water.