

Safety instructions

Important! Before commencing installation work disconnect the main cable from the power supply - remove fuse or turn switch to "OFF"!

1. Installation should be carried out in accordance with the local safety regulations.
2. In order to prevent damage, please check walls for cables before drilling holes.
3. Please ensure that all electrical connections (even preassembled lamps) are screwed tightly or are fully inserted as good contact is essential for a long life-span at high currents. Please check for tight connections after changing or adjusting lamps. Screwed connections must be tightened after 20 minutes.
4. Please do not place objects on your system (e.g. for decorative purposes) if they were not delivered with the system.
5. The lamps get very hot when in use. Please allow lamps to cool down before touching.
6. Do not change lamps or spots when switched on.
7. System should not be enlarged with additional lamps.
8. If the external flexible cable or cord of this luminaire is damaged, it shall be exclusively replaced by the manufacturer or his service agent or a similar qualified person in order to avoid a hazard.
9. Use of a dimmer is highly recommended. Dimmer must be compatible with type of bulb.
10. Please note that the surface treatment is sensitive to direct sun exposure, that might change the intensity of the colour tone.
11. The glass used for this lamp is hand-blown. Only 1st. quality has been chosen. Air bubbles and variations in thickness and colour is normal.
12. We reserve the right to make technical alterations.

THIS PRODUCT MUST BE INSTALLED IN ACCORDANCE WITH THE APPLICABLE INSTALLATION CODE BY A PERSON FAMILIAR WITH THE CONSTRUCTION AND OPERATION OF THE PRODUCT AND THE HAZARDS INVOLVED.

Please keep these instructions.

Fitting: Replaceable LED-module (1990014)

2025-03-18 US

NUURA

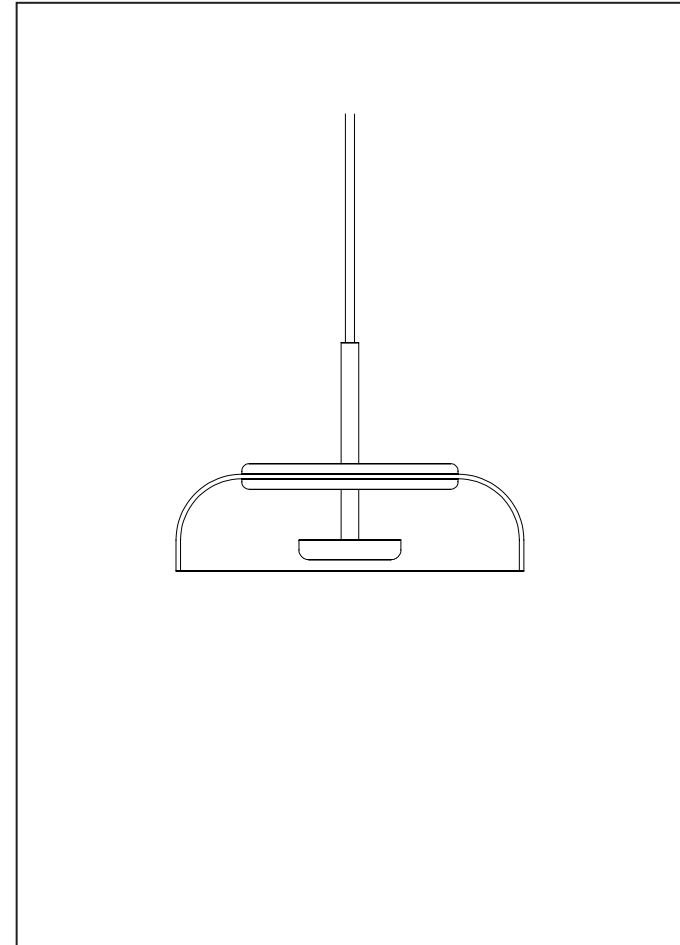
www.nuura.com
info@nuura.com

© 2025 All rights reserved



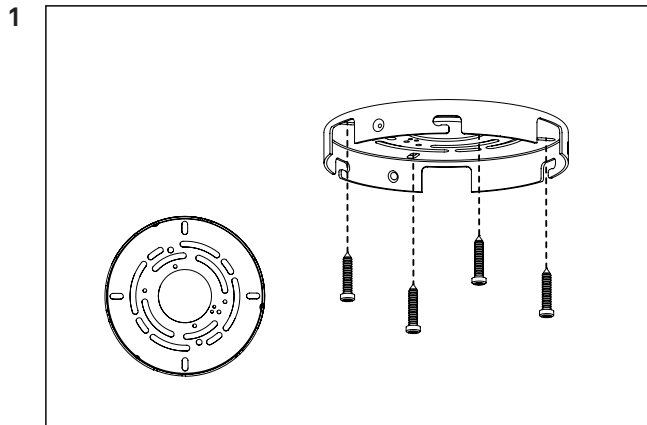
Blossi 1

Assembly Instructions

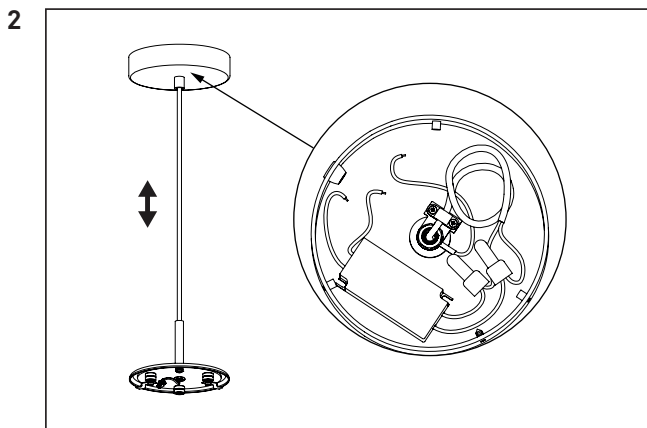


NUURA

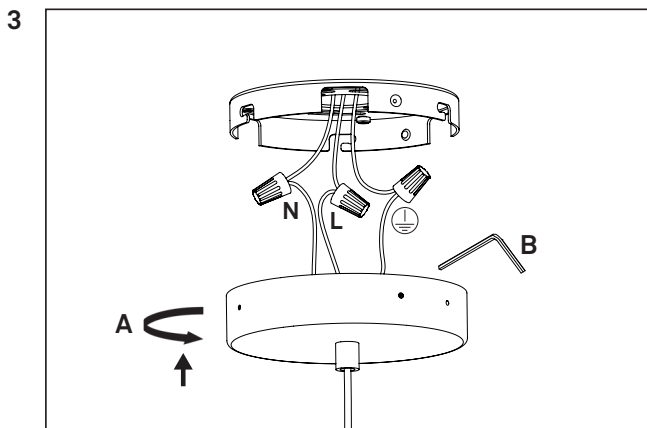
© 2025 All rights reserved



Mounting hole dimensions.



Feed cord through the canopy to adjust the height.

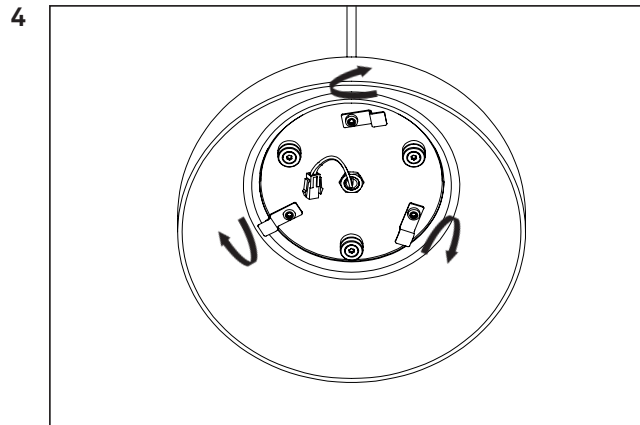


Connect the wire ends to the power cable with connectors. Match the black wire to "L", the white to "N", and the grounding wire to the grounding symbol.

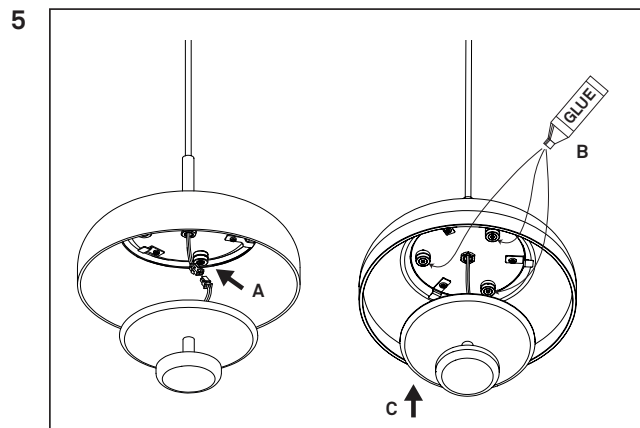
Do not attempt to shorten the wires.

A: Align the inside pins with the L-shaped cutouts in the ceiling bracket and push them towards the ceiling, followed by a twist counterclockwise.

B: Tighten the set screw to secure the canopy.



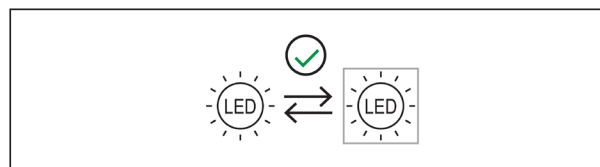
Place glass on the lamp base and turn the plates to hold it in place.



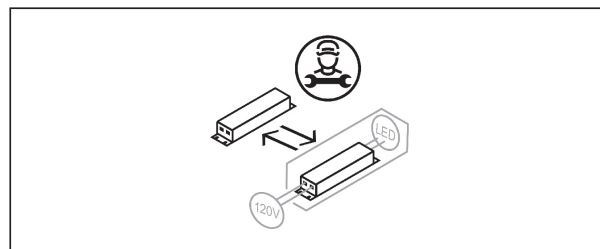
A: Push connectors together.

B: Add an appropriate glue to prevent accidental removal of the protective cover. (Glue is not included.)

C: Place the front over the glass. The magnets will hold it in place.



The driver must be replaced by a professional.



The LED module is replaceable by the end-user.

Instructions at www.nuura.com.