

Safety instructions

Important! Before commencing installation work disconnect the main cable from the power supply - remove fuse or turn switch to "OFF"!

1. Installation should be carried out in accordance with the local safety regulations.
2. In order to prevent damage, please check walls for cables before drilling holes.
3. Please ensure that all electrical connections (even preassembled lamps) are screwed tightly or are fully inserted as good contact is essential for a long life-span at high currents. Please check for tight connections after changing or adjusting lamps. Screwed connections must be tightened after 20 minutes.
4. Please do not place objects on your system (e.g. for decorative purposes) if they were not delivered with the system.
5. The lamps get very hot when in use. Please allow lamps to cool down before touching.
6. Do not change lamps or spots when switched on.
7. System should not be enlarged with additional lamps.
8. If the external flexible cable or cord of this luminaire is damaged, it shall be exclusively replaced by the manufacturer or his service agent or a similar qualified person in order to avoid a hazard.
9. Use of a dimmer is highly recommended. Dimmer must be compatible with type of bulb.
10. Please note that the surface treatment is sensitive to direct sun exposure, that might change the intensity of the colour tone.
11. The glass used for this lamp is hand-blown. Only 1st. quality has been chosen. Air bubbles and variations in thickness and colour is normal.
12. We reserve the right to make technical alterations.

THIS PRODUCT MUST BE INSTALLED IN ACCORDANCE WITH THE APPLICABLE INSTALLATION CODE BY A PERSON FAMILIAR WITH THE CONSTRUCTION AND OPERATION OF THE PRODUCT AND THE HAZARDS INVOLVED.

Please keep these instructions.

Fitting: Replaceable LED-module (1990013)

2024-09-06 US

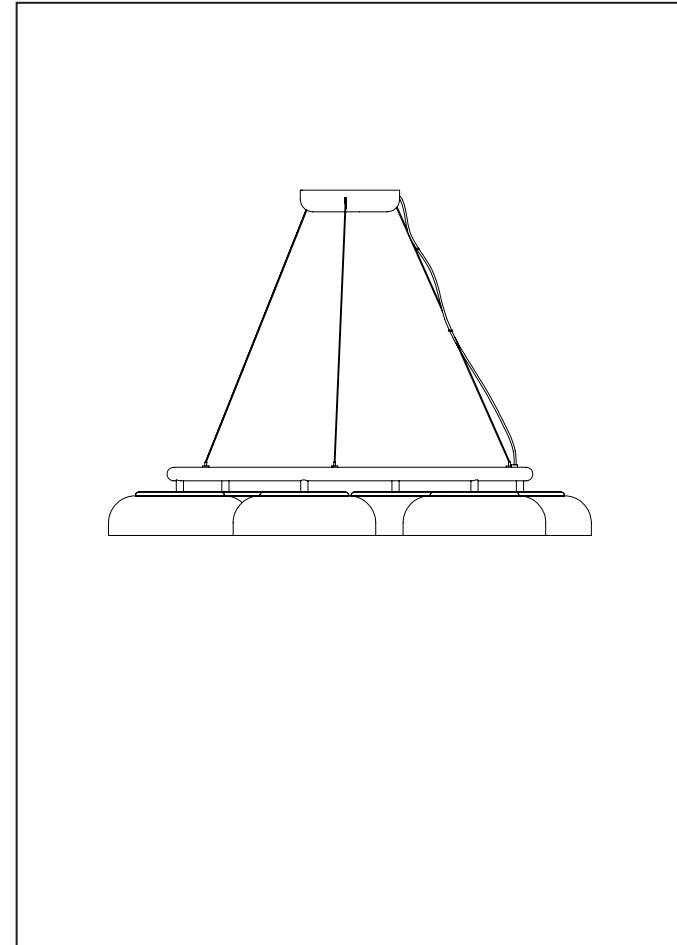
NUURA

www.nuura.com
info@nuura.com

© 2023 All rights reserved

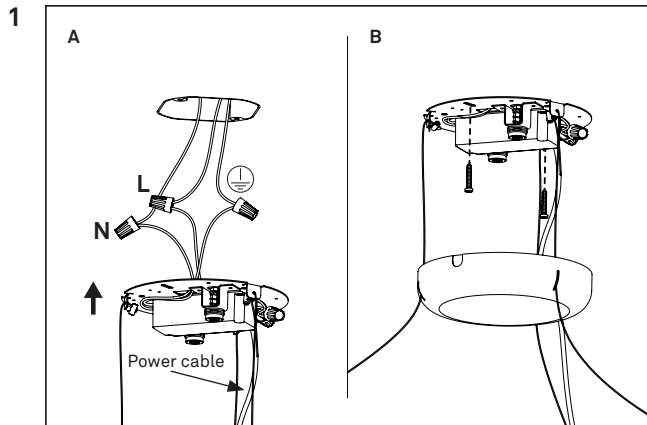
Blossi 6

Assembly Instructions



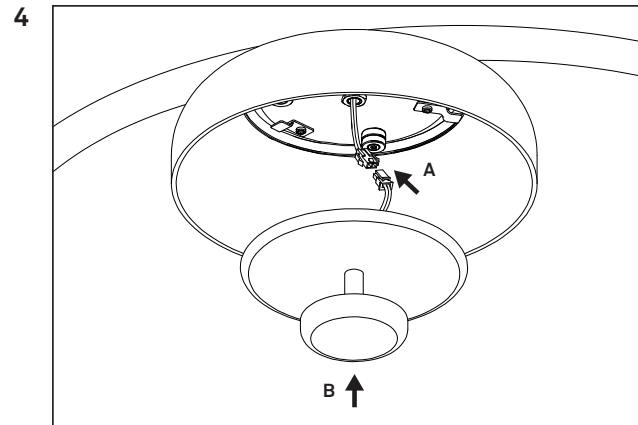
NUURA

© 2023 All rights reserved



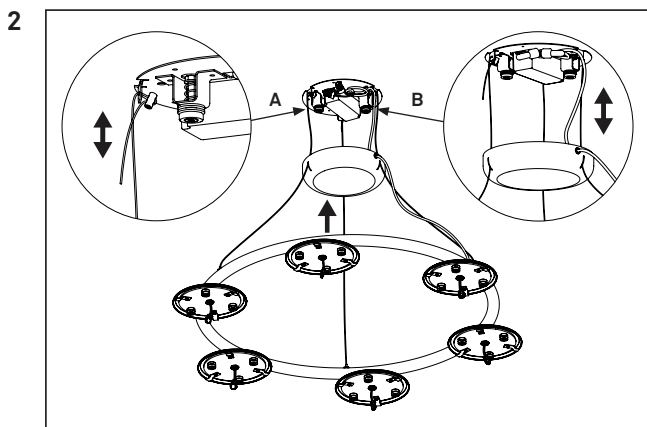
A: Pull the cover away from the ceiling bracket to access it. Connect the wire ends to the power cable with twist connectors. Match the black wire to "L", the white to "N", and the grounding wire (green or copper) to the grounding symbol.

B: Attach the ceiling bracket to the ceiling with appropriate screws.



A: Push connectors together.

B: Place the lamp module over the glass. Magnets will hold it in place.

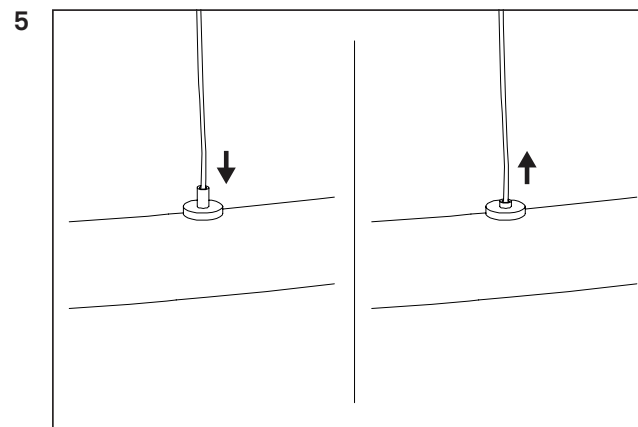


A: Roughly adjust the lamp height. Lock in place with the wire locks. The final adjustments will be made at the end of the installation process.

B: If needed, shorten the lamp cable and connect it to the secondary (low voltage) side of the driver.

Leave extra cable and wire length for final adjustments.

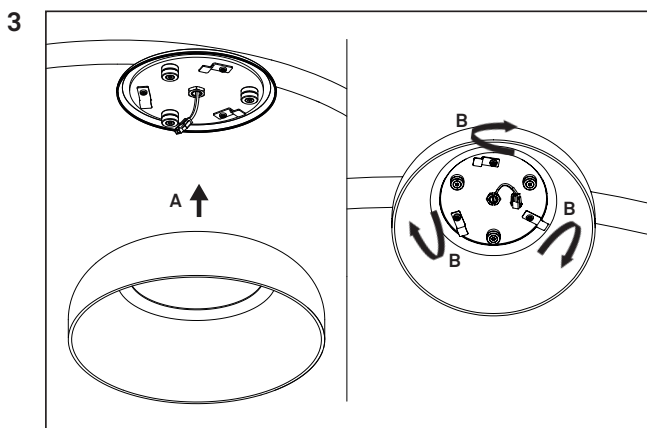
Place the cover over the canopy carefully, as the strong magnets will snap the cover into place.



Use the wire locks on the ring to adjust the lamp to its final position. It is recommended to use a spirit level.

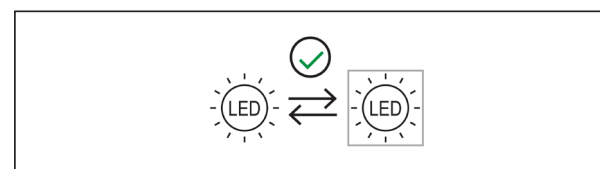
Push down the pin on the wire locks to pull out the wire.

Complete.

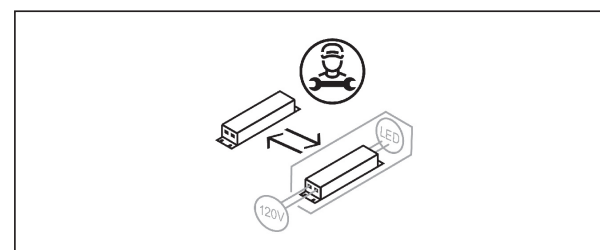


A: Place glass on the lamp base.

B: Turn the three locks to hold it in place.



The driver must be replaced by a professional.



The LED module is replaceable by the end-user. Instructions at www.nuura.com.