

BEACON G4



DESCRIPTION

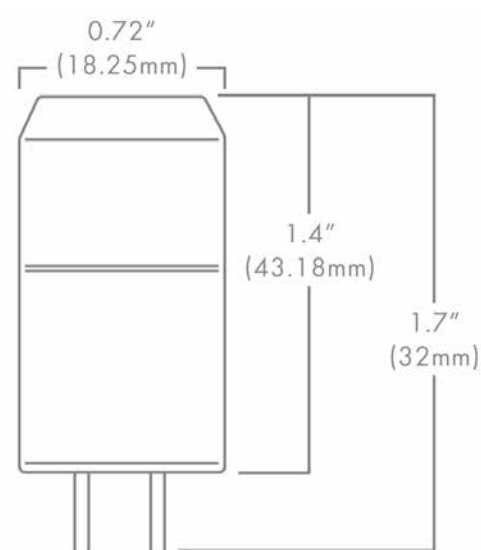
The Brilliance Beacon G4 Bi-Pin is a sub-compact LED that utilizes the Epistar chipset and features Brilliance's omni-directional beam pattern. This G4 Bi-Pin is energy efficient and water resistant. It is designed specifically for landscape retrofit applications and is ideal for pathway lighting fixtures and step lights. Dimmable with Brilliance Dimmer and most magnetic transformers.

FEATURES

- Ceramic technology
- Dimmable with Brilliance Dimmer and most magnetic transformers
- UL Certified E360351

BEACON G4 SPECS

Wattage	2		
Lumens	2700K	3000K	5700K
2W	230	244	250
Beam Spread	Omni-directional		
Kelvin Temperature	2700, 3000, 5700		
Operating Range	8-25 VAC/DC		
Replaces	20W Halogen		
CRI	84		
IP	65		
Lamp Life (hours)	35,000		
Warranty (years)	5		



Part Number: **BRI-BEACON-G4-XXXX**

|
Kelvin

