

# BEACON PLUS G4



## DESCRIPTION

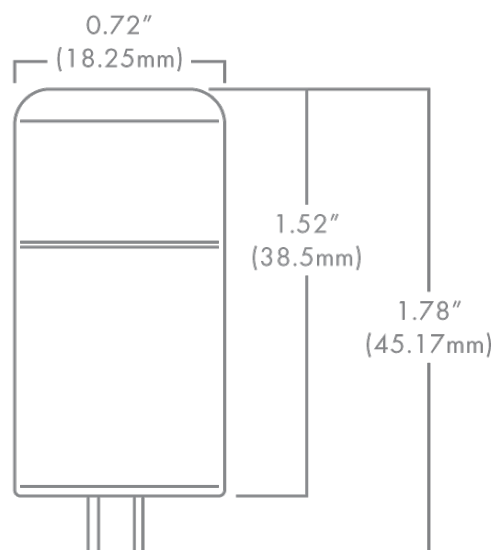
The Brilliance Beacon Plus G4 Bi-Pin is a sub-compact LED that utilizes a COB chipset and features Brilliance's omni-directional beam pattern through a translucent optic. This G4 Bi-Pin is energy efficient and water resistant. It is designed specifically for landscape retrofit applications and is ideal for pathway lighting fixtures and step lights. Dimmable with Brilliance Dimmer and most magnetic transformers.

## FEATURES

- Ceramic technology
- Dimmable with Brilliance Dimmer and most magnetic transformers
- UL Certified E360351

## BEACON PLUS G4 SPECS

Wattage	<b>3</b>	
Lumens	<b>2700K</b>	<b>3000K</b>
3W	300	340
Beam Spread	<b>Omni-directional</b>	
Kelvin Temperature	<b>2700, 3000</b>	
Operating Range	<b>8-25 VAC/DC</b>	
Replaces	<b>35W Halogen</b>	
CRI	<b>90+</b>	
IP	<b>65</b>	
Lamp Life (hours)	<b>35,000</b>	
Warranty (years)	<b>5</b>	



Part Number: **BRI-BEACON-PLUS-G4-XXXX**

↓  
Kelvin

