

MR11



DESCRIPTION

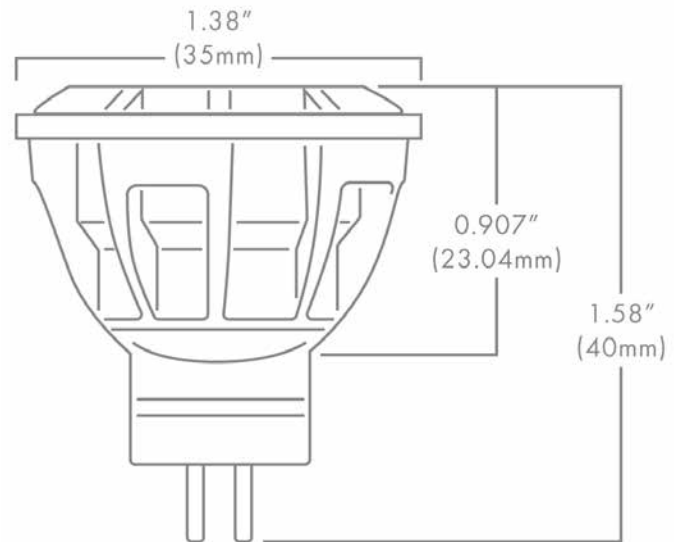
The Brilliance MR11 Bi-Pin is designed to fit into standard low voltage MR11 fixtures and offers a long lamp life. These LEDs are thermally engineered to operate in enclosed fixtures and provide added security by automatically cooling down and reducing lumen output when exposed to extreme heat, such as air temperatures above 125°F. There is no color shift when lumen output is reduced. Dimmable with Brilliance Dimmer and most magnetic transformers.

MR11 FEATURES

- Earth tone colored housing
- Dimmable with Brilliance Dimmer and most magnetic transformers
- Enhanced ESD (Electro-Static Discharge) protection (IEC-61000-4-2)
- Heat overload protection technology
- Fully potted PC board
- UL Certified E360351

MR11 SPECS

Wattage	2	
Lumens	2700K	3000K
2W	120	166
Beam Spread	15°, 30°, 60°, 120°	
Kelvin Temperature	2700, 3000	
Color	Amber (30° only)	
Operating Range	8-25 VAC/DC	
Replaces	20W Halogen	
CRI	85	
IP	61	
Lamp Life (hours)	50,000	
Warranty (years)	5	



Part Number: **MR11-2-XXXX-XXX**

Kelvin | Beam spread

