

MR8

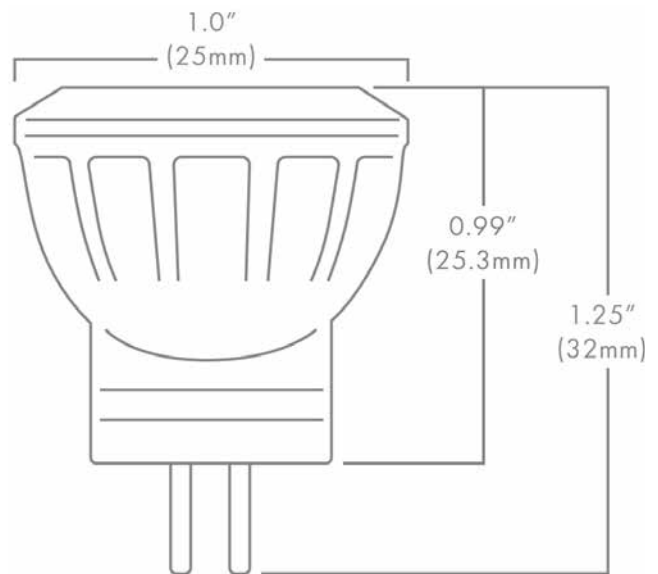


DESCRIPTION

The Brilliance MR8 Bi-Pin is designed to fit in standard low voltage MR8 fixtures and offers a long lamp life. These LEDs are thermally engineered to operate in enclosed fixtures and provide added security by automatically cooling down and reducing lumen output when exposed to extreme heat, such as air temperatures above 125°F. There is no color shift when lumen output is reduced. Dimmable with Brilliance Dimmer and most magnetic transformers.

MR8 FEATURES

- Earth tone colored housing
- Dimmable with Brilliance Dimmer and most magnetic transformers
- Enhanced ESD (Electro-Static Discharge) protection (IEC-61000-4-2)
- Heat overload protection technology
- Fully potted PC board
- UL Certified E360351



Part Number: **MR8-XXXX-XXX**

Kelvin | Beam spread

MR8 SPECS

| | | |
|--------------------|-------------------------|--------------|
| Wattage | 1.5 | |
| Lumens | 2700K | 3000K |
| 1.5W | 90 | 139 |
| Beam Spread | 30°, 60° | |
| Kelvin Temperature | 2700, 3000 | |
| Color | Amber (30° only) | |
| Operating Range | 8-25 VAC/DC | |
| Replaces | 10W Halogen | |
| CRI | 85 | |
| IP | 61 | |
| Lamp Life (hours) | 50,000 | |
| Warranty (years) | 5 | |

