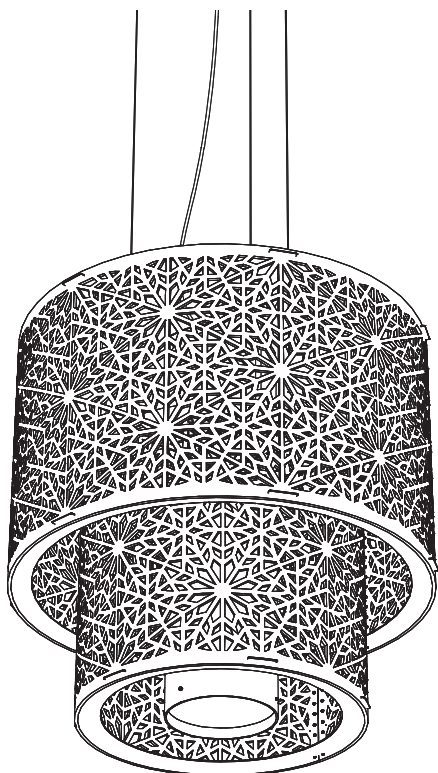



BuzziChandelier

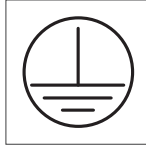
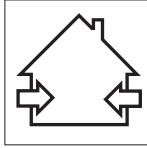
INSTALLATION MANUAL

120V



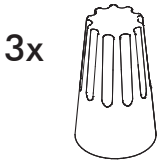
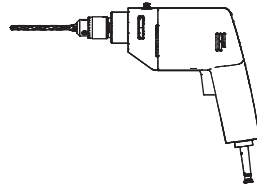
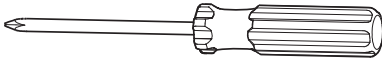
Technical info

2G11
CFL or SBLED*

Max. 40W

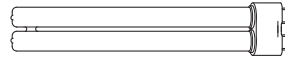


* Self ballasted LED (SBLED) needs to comply with UL1993

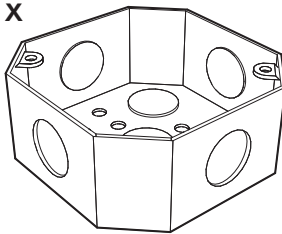
Excl.



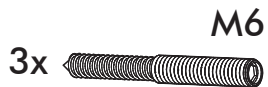
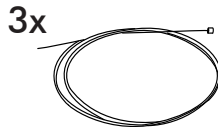
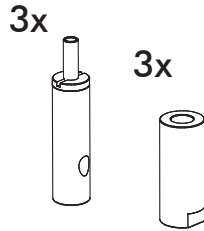
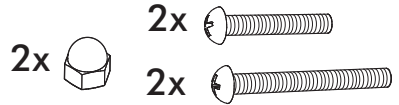
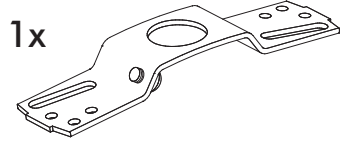
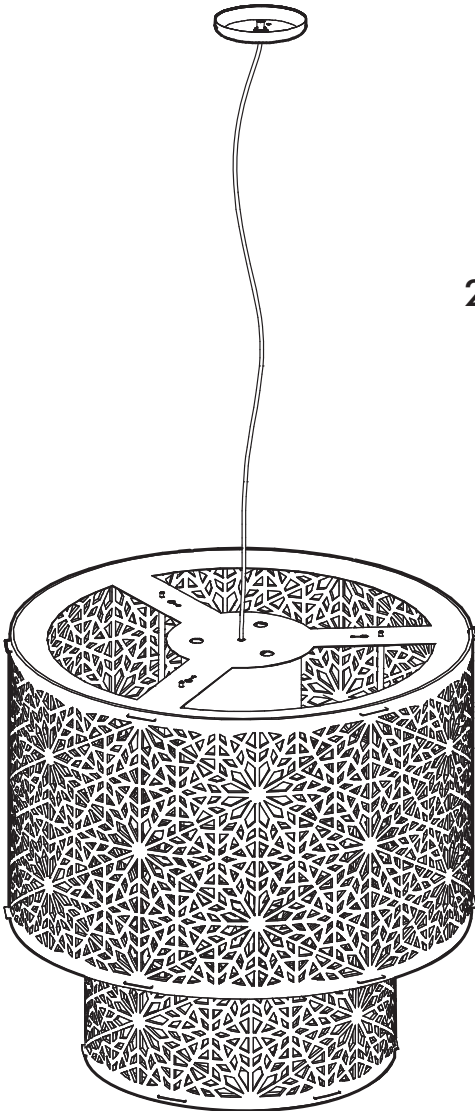
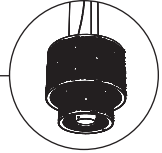
1x



1x

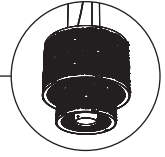


Incl. BuzziChandelier



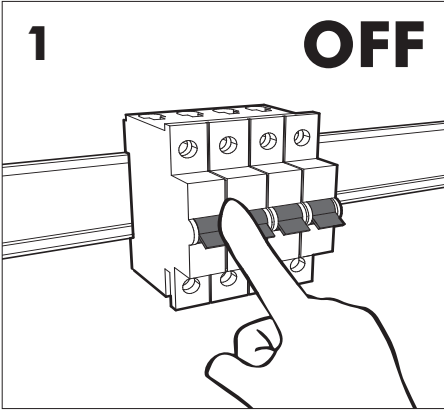
BuzziChandelier

2 PERS. 

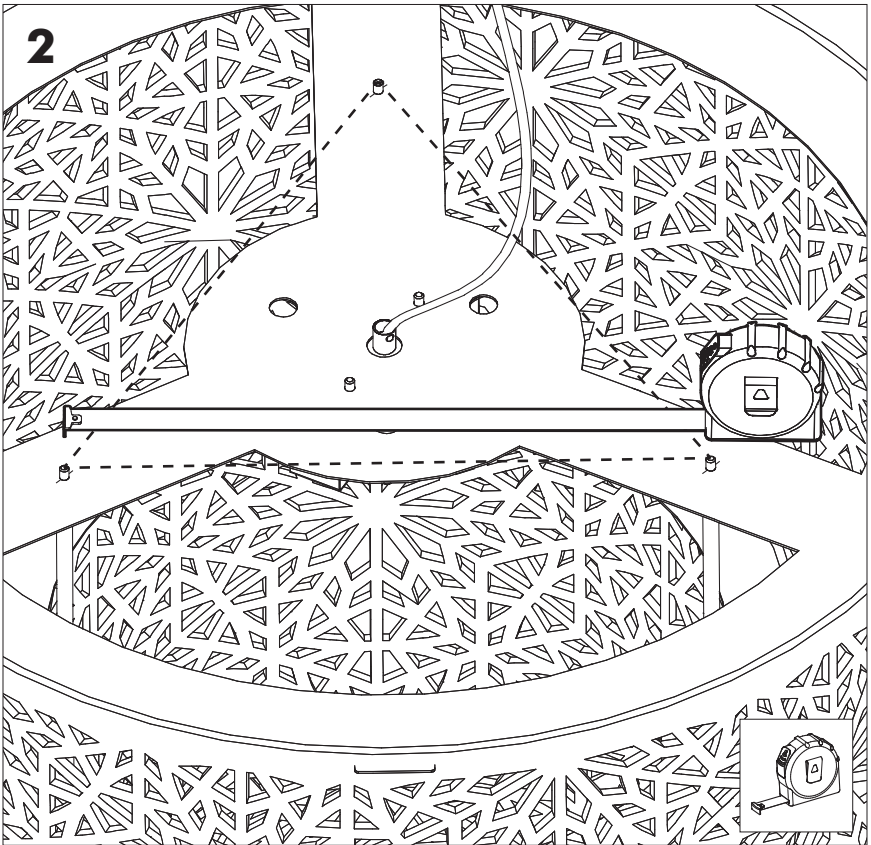


1

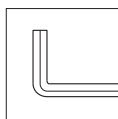
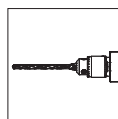
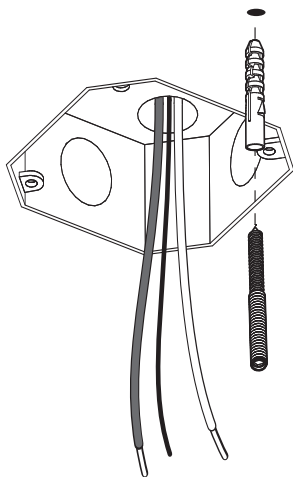
OFF



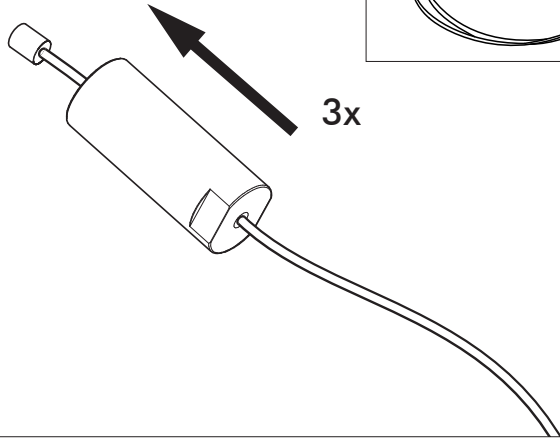
2



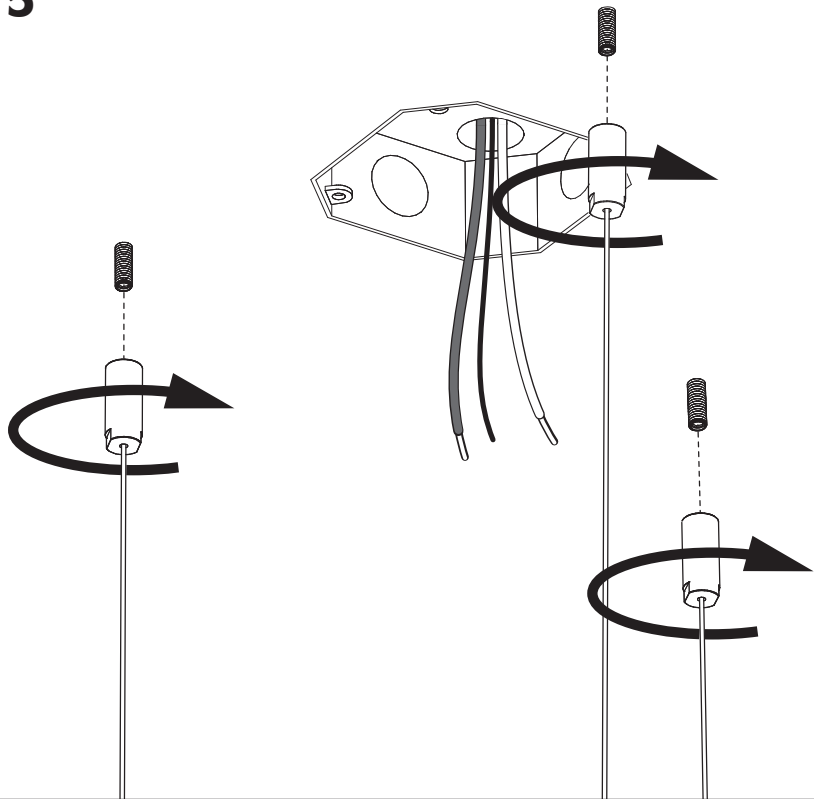
3



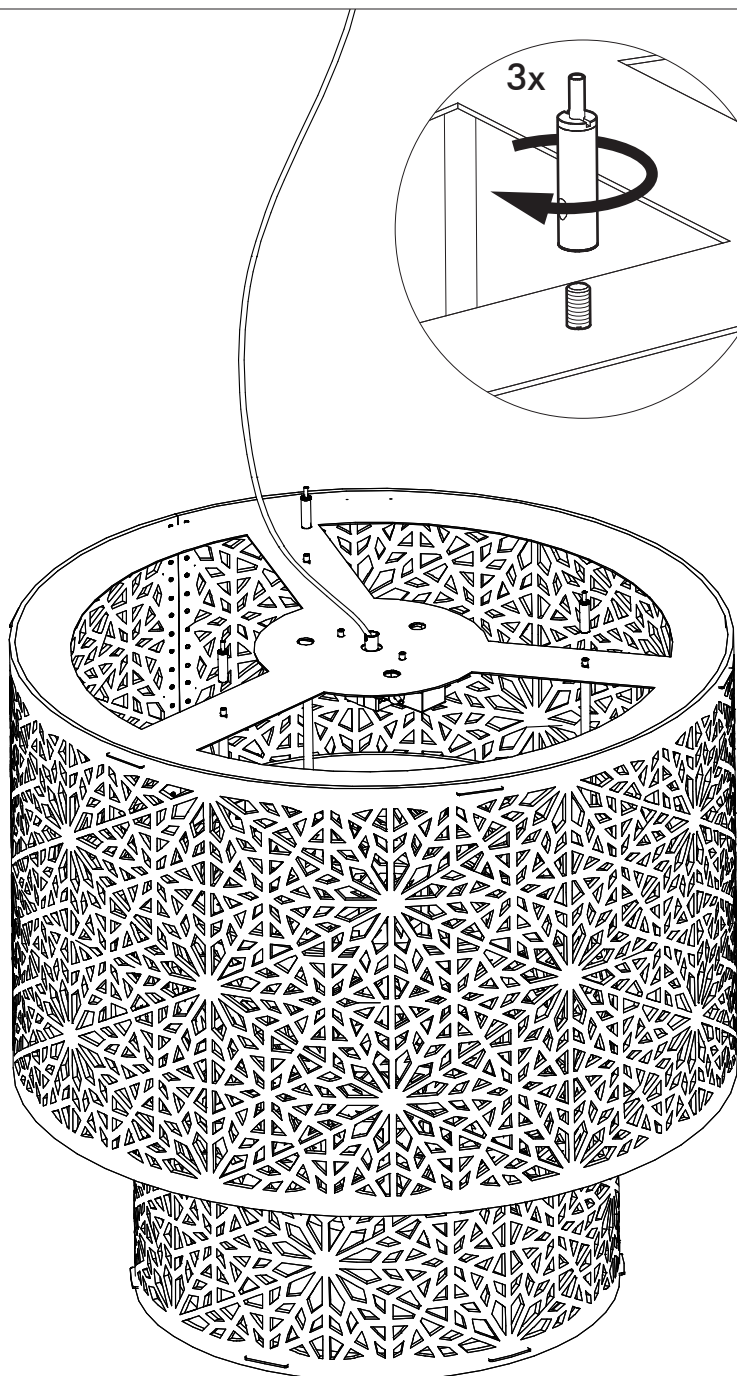
4

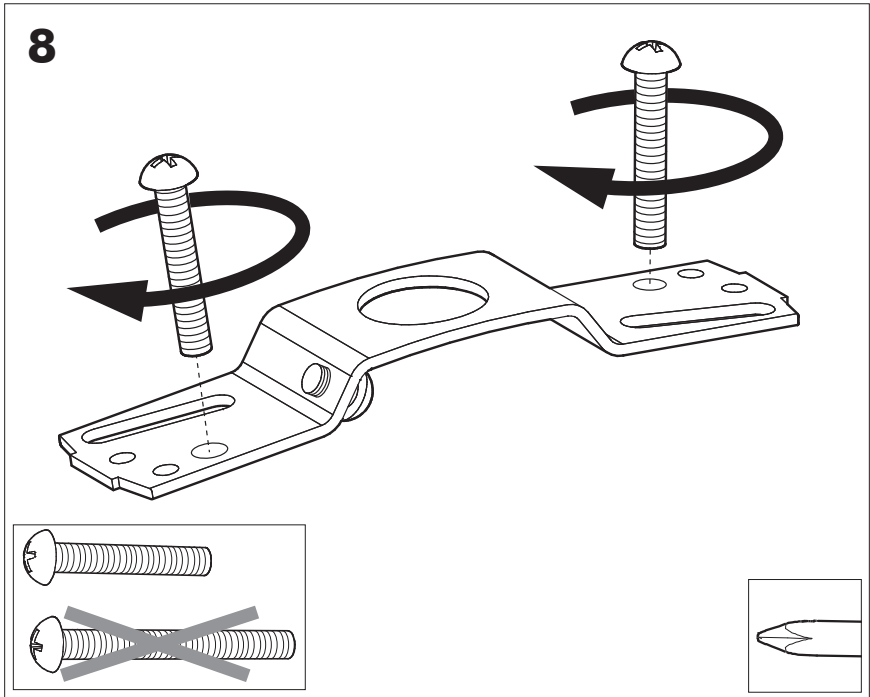
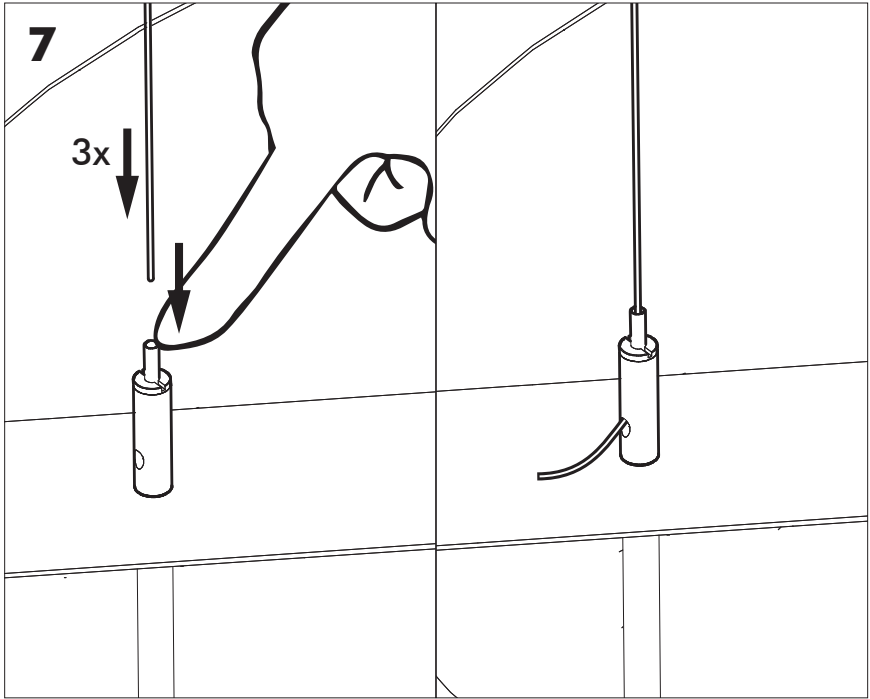


5

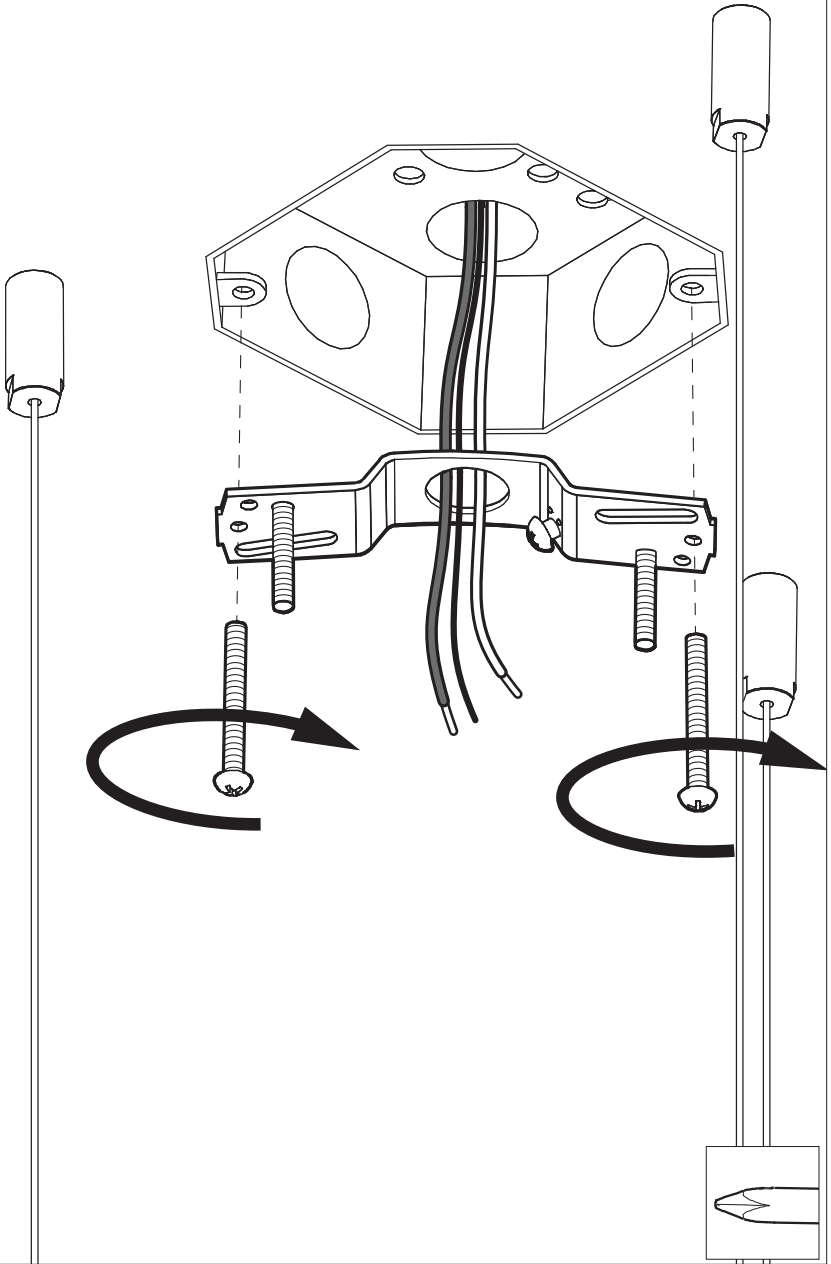


6

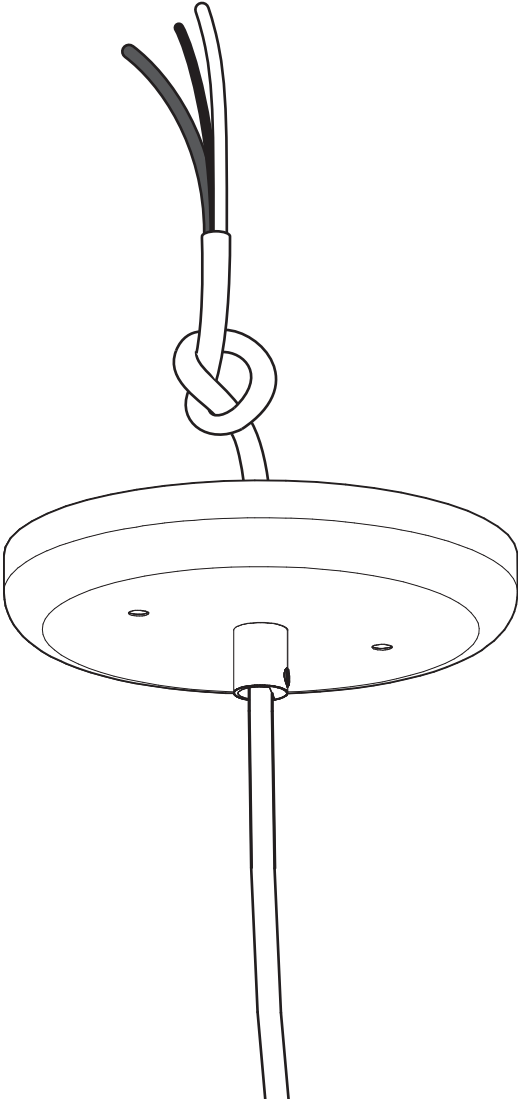




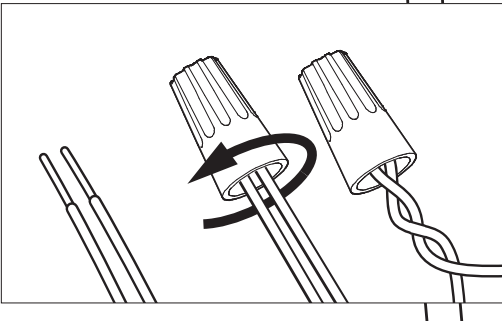
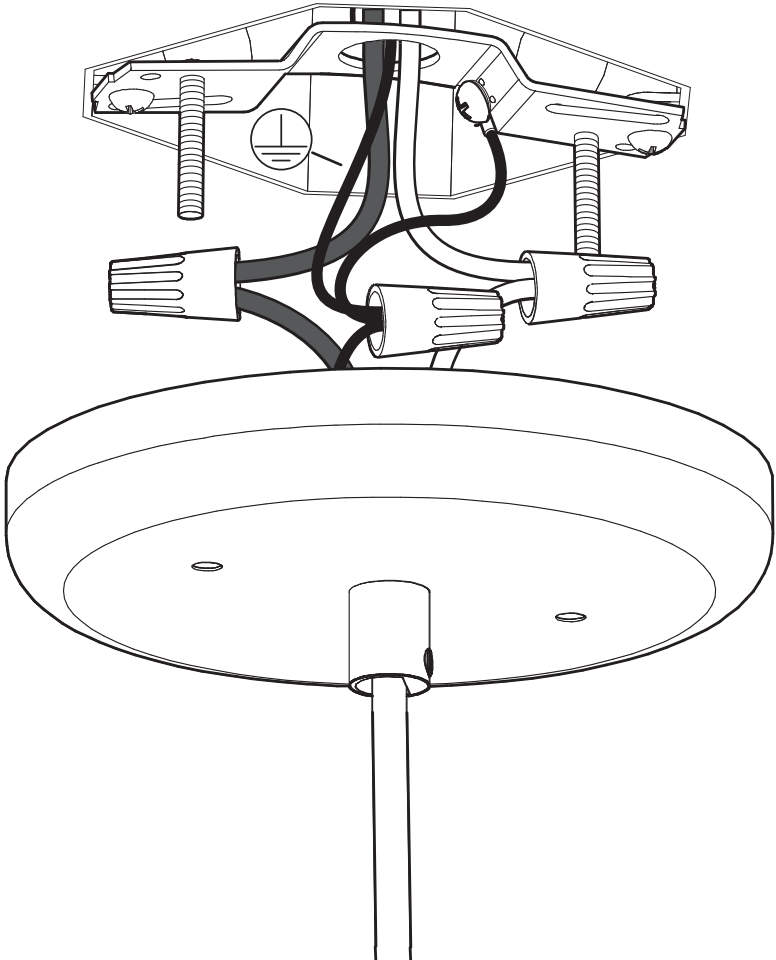
9



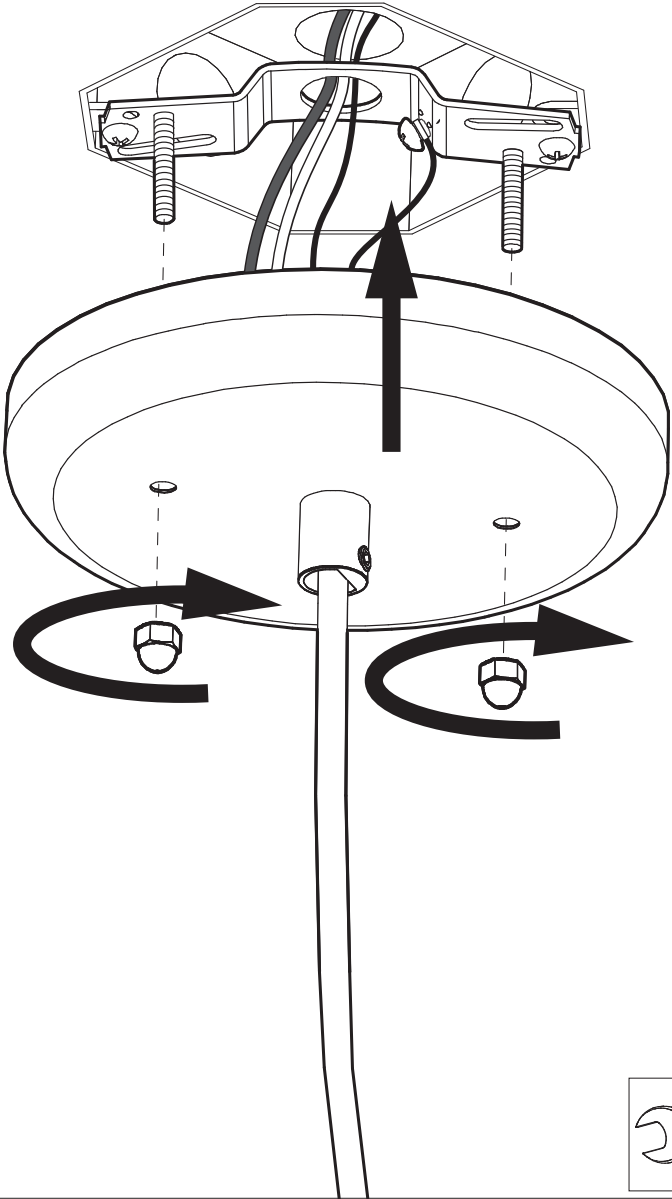
10



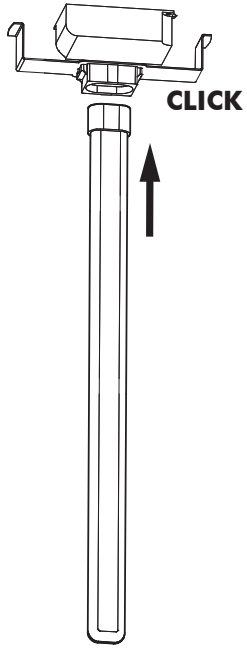
11



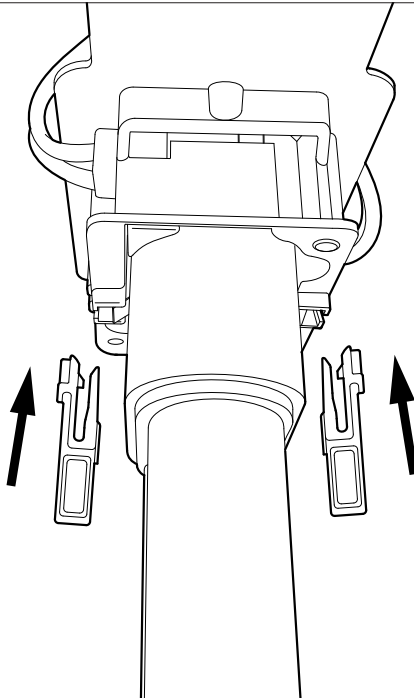
12



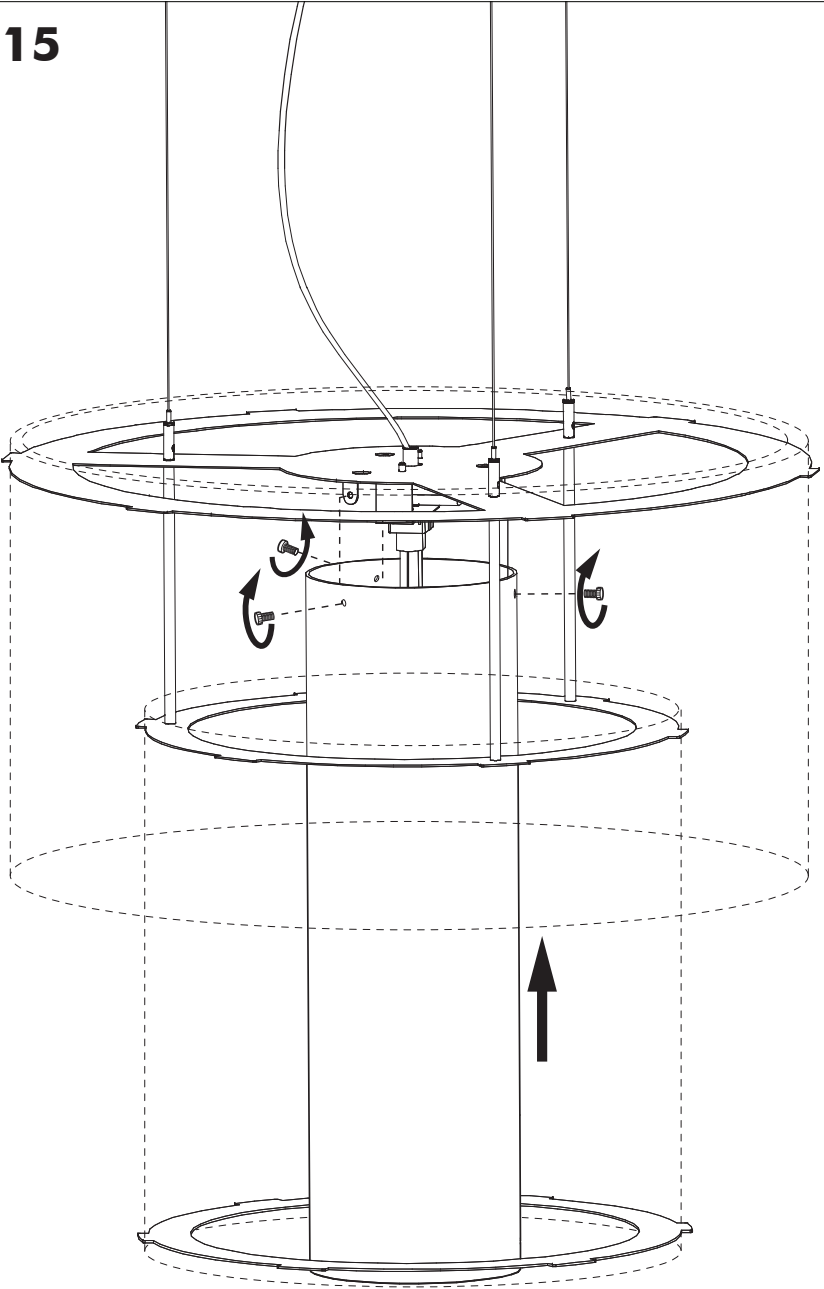
13



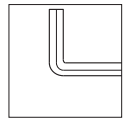
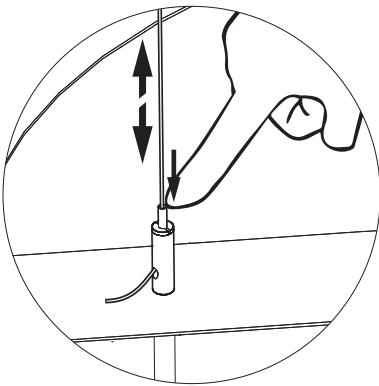
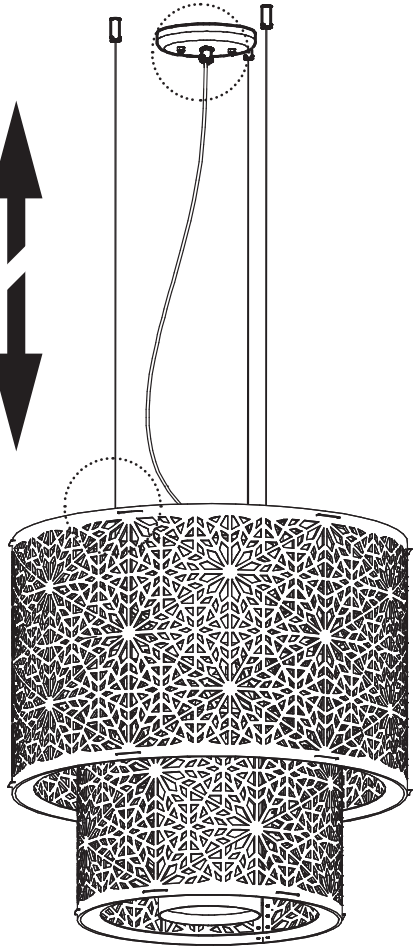
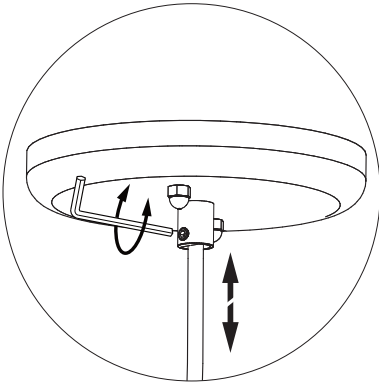
14



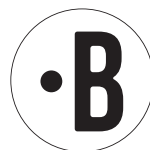
15



!



BuzziSpace
Groeningenlei 141
2550 Antwerp, Kontich
Belgium
☎ +32 (0)3 846 10 00
✉ info@buzzi.space
🌐 www.buzzi.space



Doc nr.: A-0000001931/1
Last update: 04/09/2018