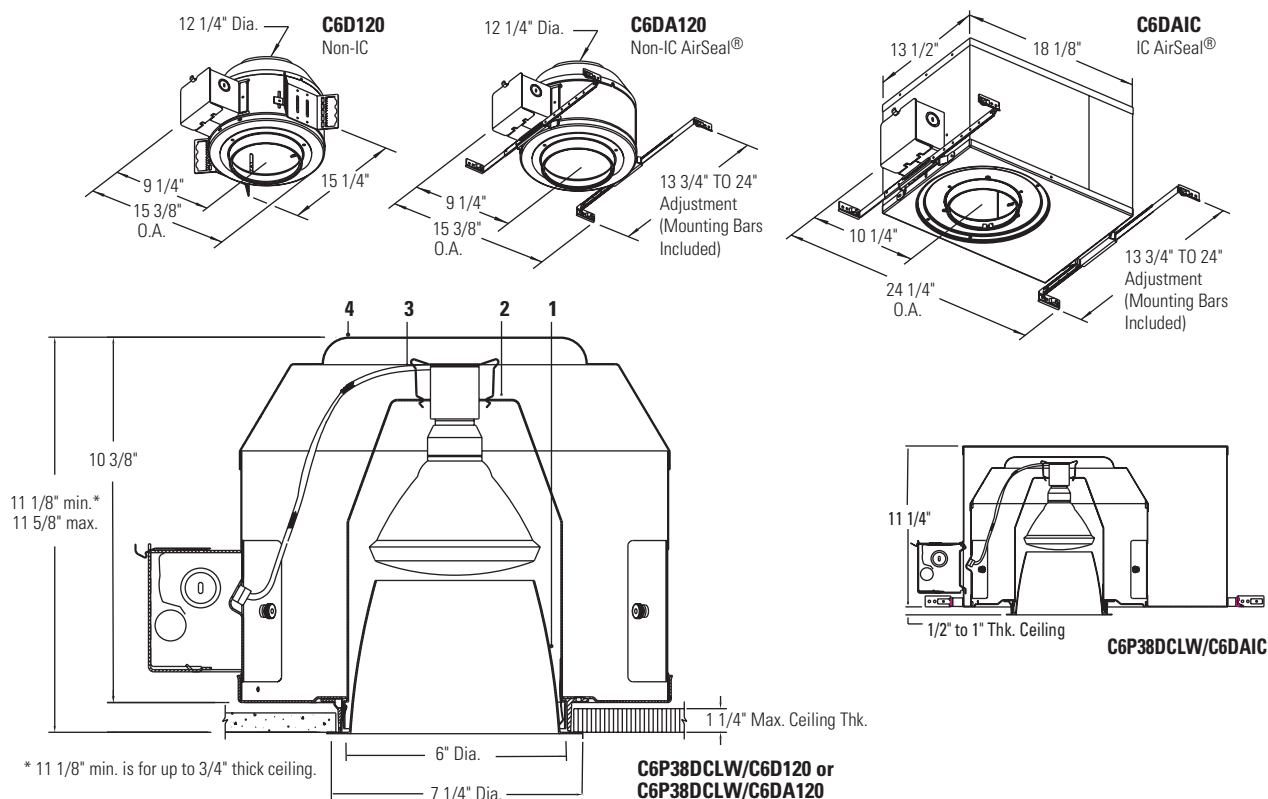


# Calculite® Evolution Incandescent Open Downlight C6P38D



Ceiling Cutout: 6 11/16" Dia.

Reflector Trim		Frame-In Kit		
C6P38D CLW	Specular Clear, White Flange	Non-IC	Non-IC AirSeal®	IC-AirSeal®
C6P38D CLP	Specular Clear, Polished Flange	C6D120	C6DA120	C6DAIC
C6P38D	Add suffix. See options for other finishes	250W PAR38	250W PAR38	120W PAR38

## Features

- Reflector:** 16 ga. aluminum, 50° visual cutoff to lamp and lamp image. Removable from below for bottom relamping. Available with painted white or polished flange. Interchangeable with other Evolution™ 6" line voltage trims.
- Lampholder Assembly:** Snaps onto frame for easy tool-less installation. Provides friction spring clips to secure aperture cone.
- Socket Harness:** Spring tension clips snap into die-cast aluminum top at pre-focused positions insuring correct optical alignment. Medium base porcelain socket with nickel plated screw shell, No. 18 SF-1 leads to keyed plug-in quick connector for power connection to junction box.
- Frame-In-Kit:** Compatible frame-in kits are listed above. Non-IC and Non-IC AirSeal® - Insulation must be kept 3" away from fixture sides and wiring compartments and must not be placed above fixture in a manner which will entrap heat. IC-AirSeal® - Fixture may be in direct contact with insulation.

## Options & Accessories

### Reflector Finishes<sup>1</sup>

Clear: CL      Specular Gold: GD  
 Comfort Clear Diffuse: CCD      Specular Black: BK  
 Champagne Bronze: CCZ      White: WH  
 Specify desired flange: **W** White, **P** Polished

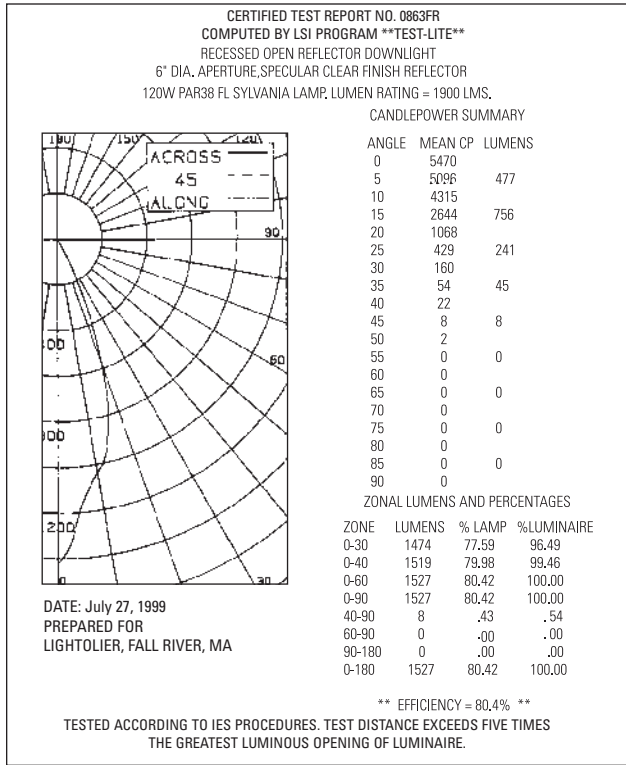
## Labels

UL Listed (suitable for damp locations), I.B.E.W.

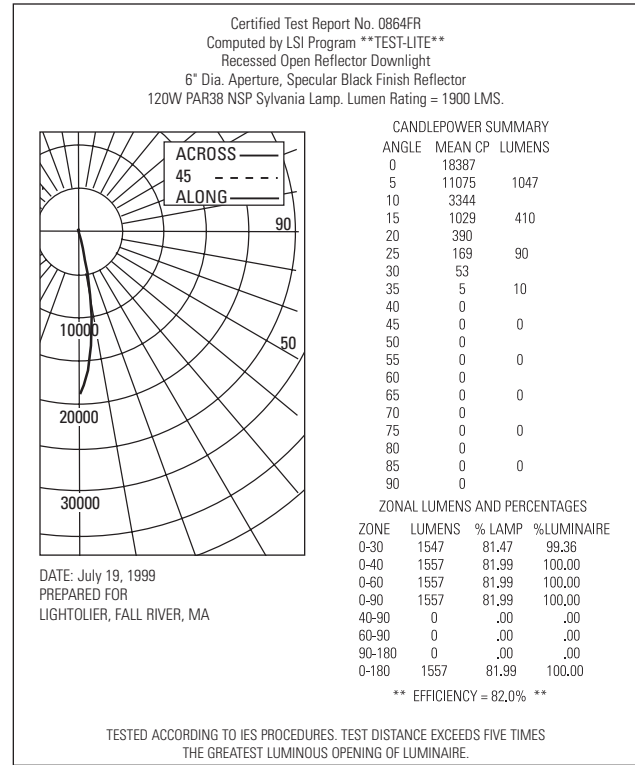
Job Information	Type:
<b>Job Name:</b>	
<b>Cat. No.:</b>	
<b>Lamp(s):</b>	
<b>Notes:</b>	

# Calculite® Evolution Incandescent Open Downlight **C6P38D**

Spacing Ratio = 0.5



Spacing Ratio = 0.2



**COEFFICIENTS OF UTILIZATION**  
 % EFFECTIVE CEILING CAVITY REFLECTANCE

Room Cavity Ratio	% WALL REFLECTANCE															
	80			70			50			30			10			0
	50	30	10	50	30	10	50	30	10	50	30	10	50	30	10	0
1	.92	.90	.89	.90	.89	.88	.87	.86	.85	.84	.83	.83	.81	.81	.80	.79
2	.88	.86	.85	.87	.85	.84	.84	.83	.82	.82	.81	.80	.80	.79	.79	.78
3	.86	.83	.81	.85	.83	.81	.83	.81	.80	.81	.80	.78	.79	.78	.77	.76
4	.83	.81	.79	.83	.80	.78	.81	.79	.88	.80	.78	.77	.78	.77	.76	.75
5	.81	.78	.76	.80	.78	.76	.79	.77	.75	.78	.76	.75	.77	.76	.74	.73
6	.79	.77	.75	.79	.76	.74	.78	.76	.74	.77	.75	.74	.76	.74	.73	.72
7	.77	.75	.73	.77	.74	.72	.76	.74	.72	.75	.73	.72	.74	.73	.72	.71
8	.75	.73	.71	.75	.73	.71	.74	.72	.71	.74	.72	.70	.73	.71	.70	.69
9	.74	.71	.70	.74	.71	.70	.73	.71	.69	.73	.70	.69	.72	.70	.69	.68
10	.72	.70	.68	.72	.70	.68	.72	.69	.68	.71	.69	.68	.71	.69	.68	.67

20% FLOOR CAVITY REFLECTANCE

Conversion Factors  
 45W to 250W PAR38FL: Gold, C.U. x 0.95; Diffuse, C.U.x 0.90.

**COEFFICIENTS OF UTILIZATION**  
 % EFFECTIVE CEILING CAVITY REFLECTANCE

Room Cavity Ratio	% WALL REFLECTANCE															
	80			70			50			30			10			0
	50	30	10	50	30	10	50	30	10	50	30	10	50	30	10	0
1	.94	.93	.92	.93	.91	.91	.89	.88	.88	.86	.86	.85	.84	.83	.83	.82
2	.91	.90	.88	.90	.88	.87	.87	.86	.85	.85	.84	.84	.83	.83	.82	.81
3	.89	.87	.86	.88	.86	.85	.86	.85	.84	.85	.84	.82	.83	.82	.81	.80
4	.87	.85	.84	.87	.85	.83	.85	.84	.82	.84	.82	.81	.82	.81	.81	.80
5	.86	.83	.82	.85	.83	.82	.84	.82	.81	.83	.81	.80	.82	.81	.80	.79
6	.85	.82	.81	.84	.82	.81	.83	.82	.80	.82	.81	.80	.82	.80	.79	.79
7	.84	.81	.80	.83	.81	.79	.82	.81	.79	.81	.80	.79	.81	.80	.79	.78
8	.82	.80	.79	.82	.80	.79	.81	.80	.79	.81	.79	.78	.80	.79	.78	.77
9	.82	.80	.78	.81	.80	.78	.81	.79	.78	.80	.79	.78	.80	.78	.77	.77
10	.81	.79	.77	.81	.79	.77	.80	.78	.77	.80	.78	.77	.79	.78	.77	.76

20% FLOOR CAVITY REFLECTANCE

Conversion Factors  
 45W to 120W PAR38 NSP: with Black Alzak®, C.U. x 1.0

**Job Information** **Type:**