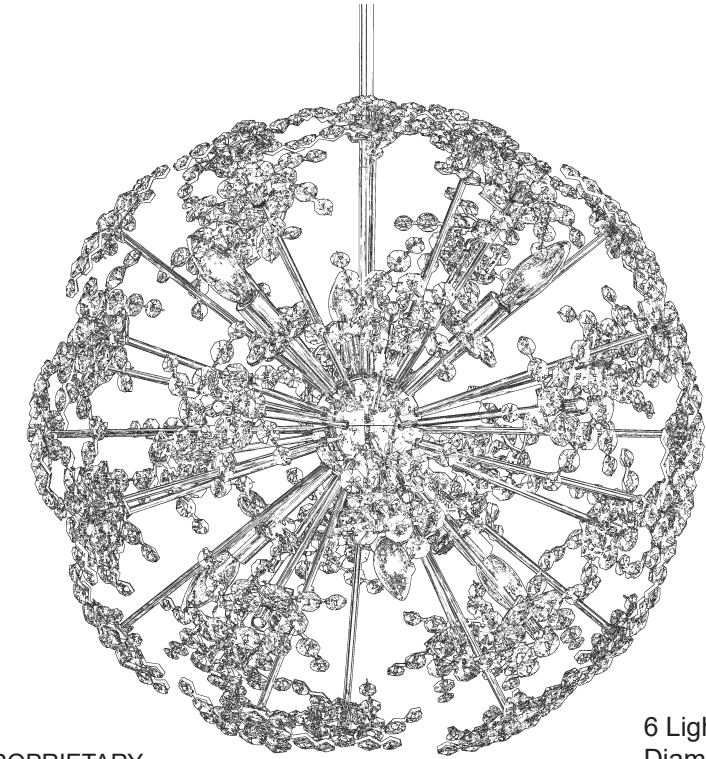


SCHONBEK

1870

ESTERACAE DN1024N- __ __ S

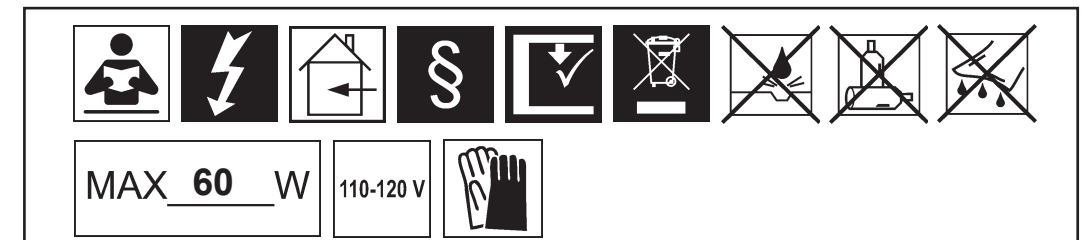


THIS DESIGN IS THE PROPRIETARY
TRADE DRESS/TRADEMARK OF
SWAROVSKI LIGHTING, LTD.

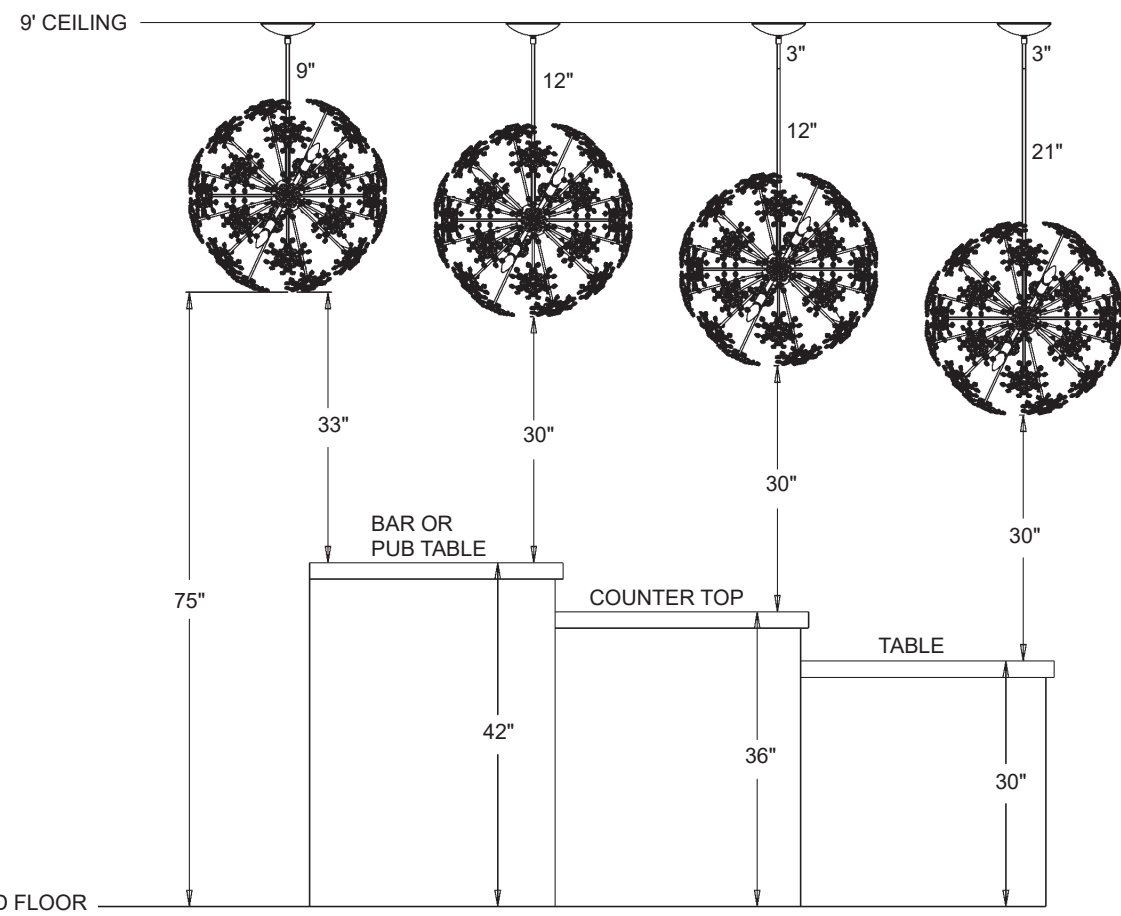
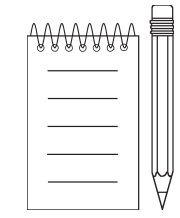
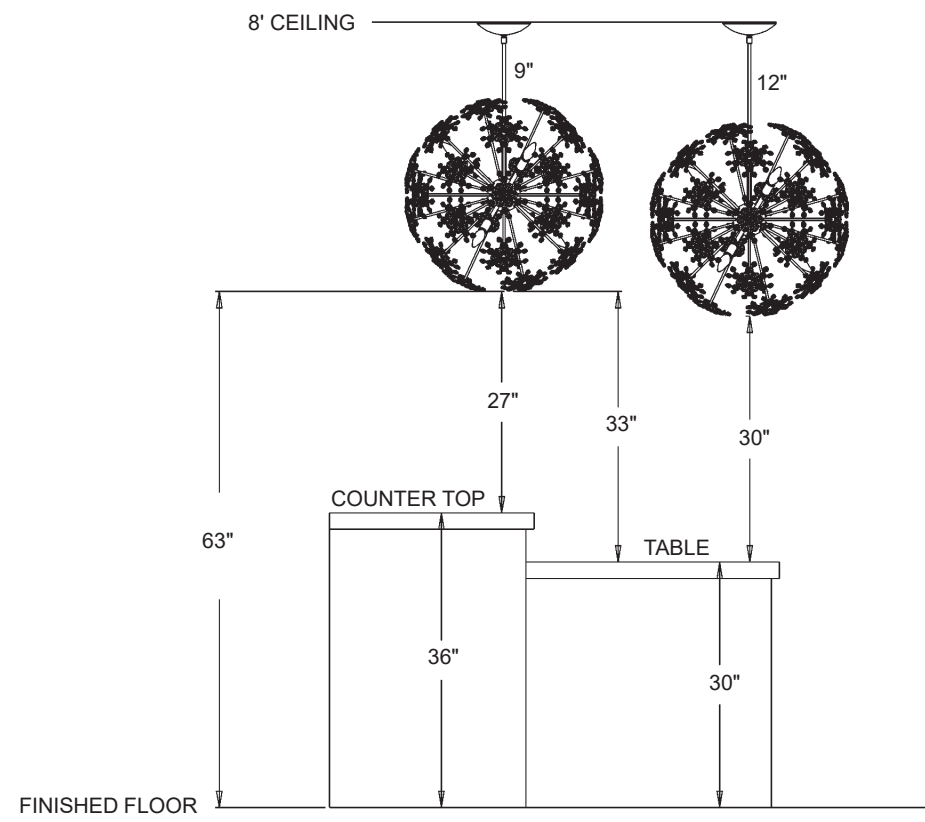
6 Lights
Diameter: 24"
Height: 24"
Hanging Weight: 18lbs.

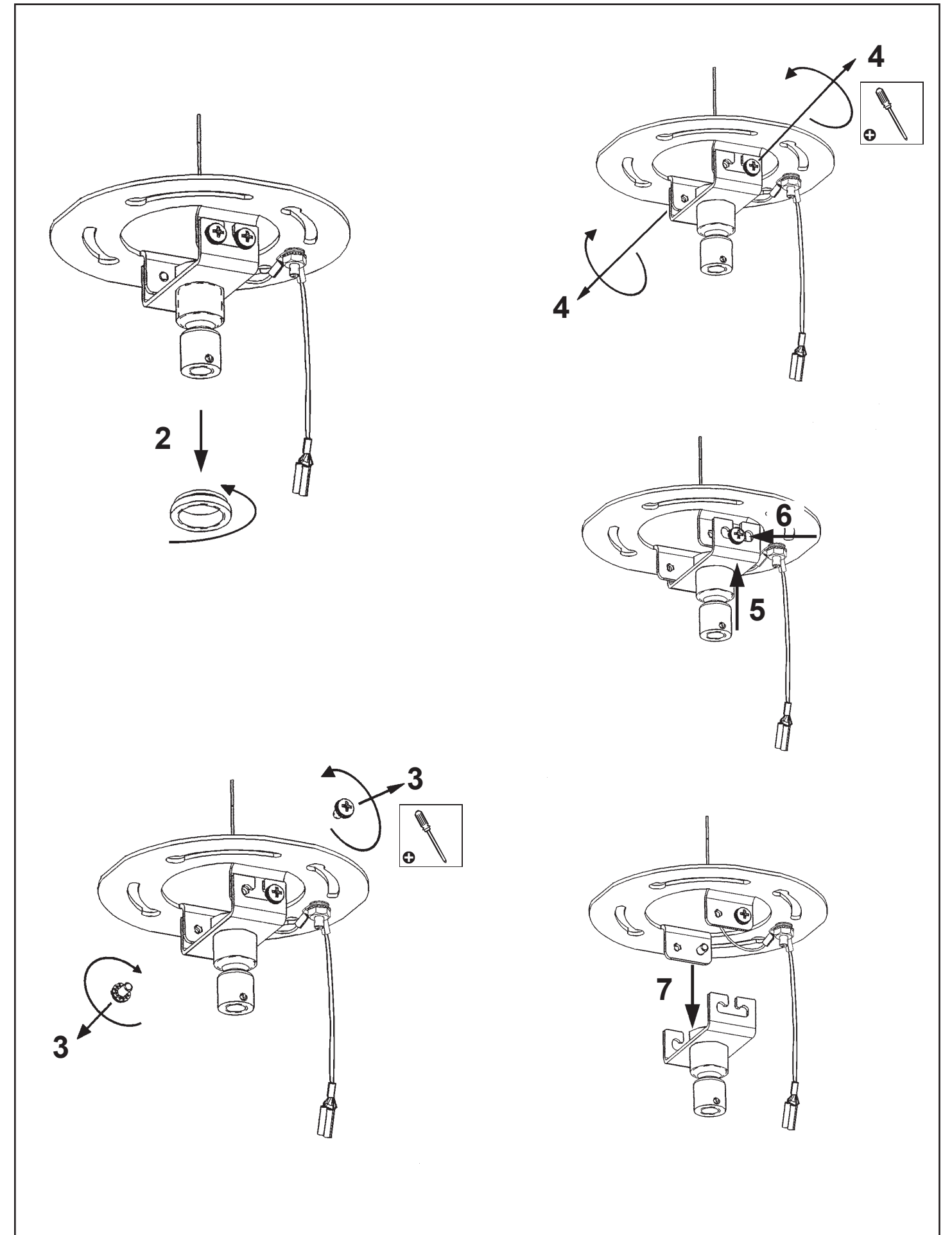
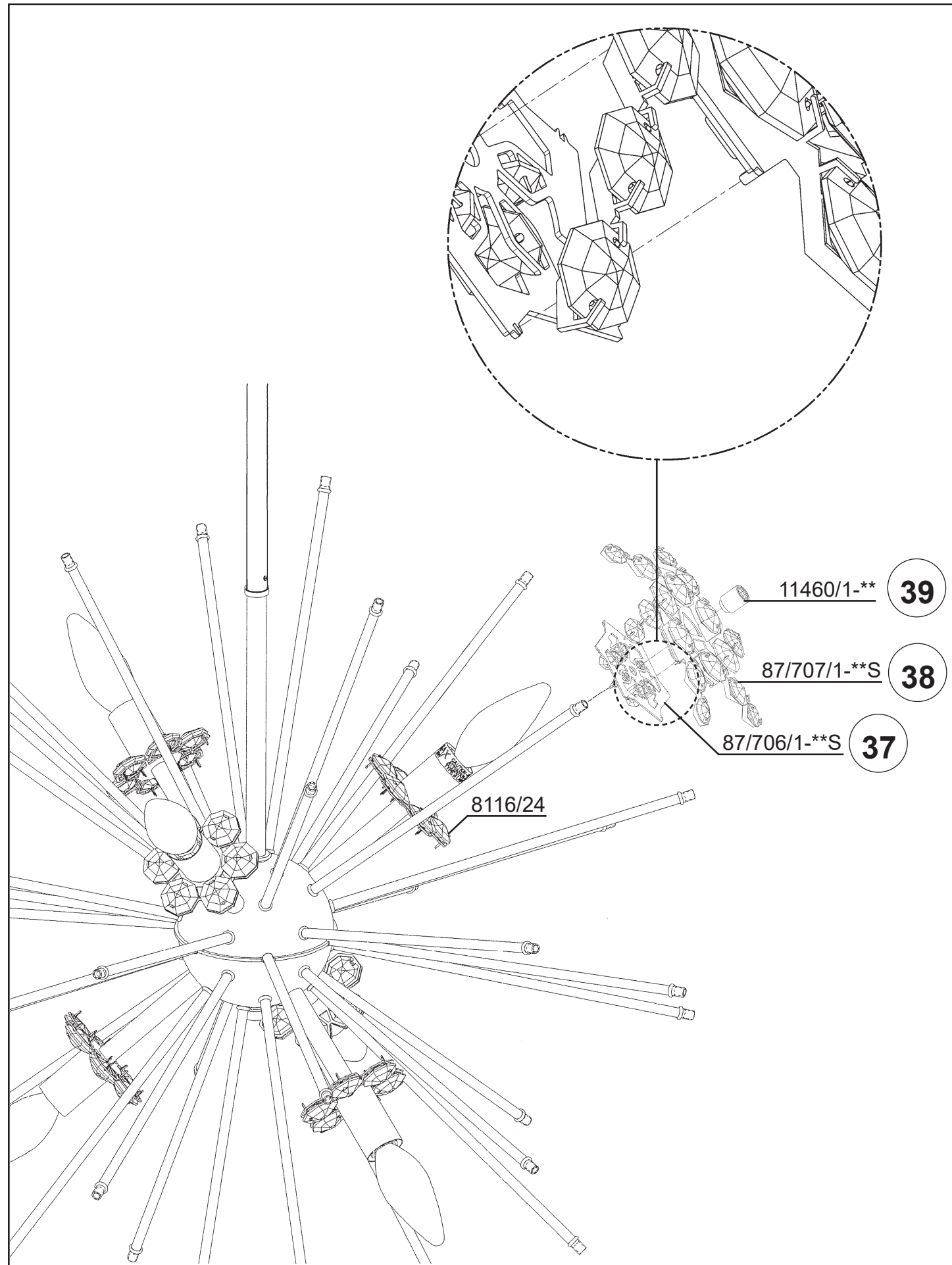
SCHONBEK

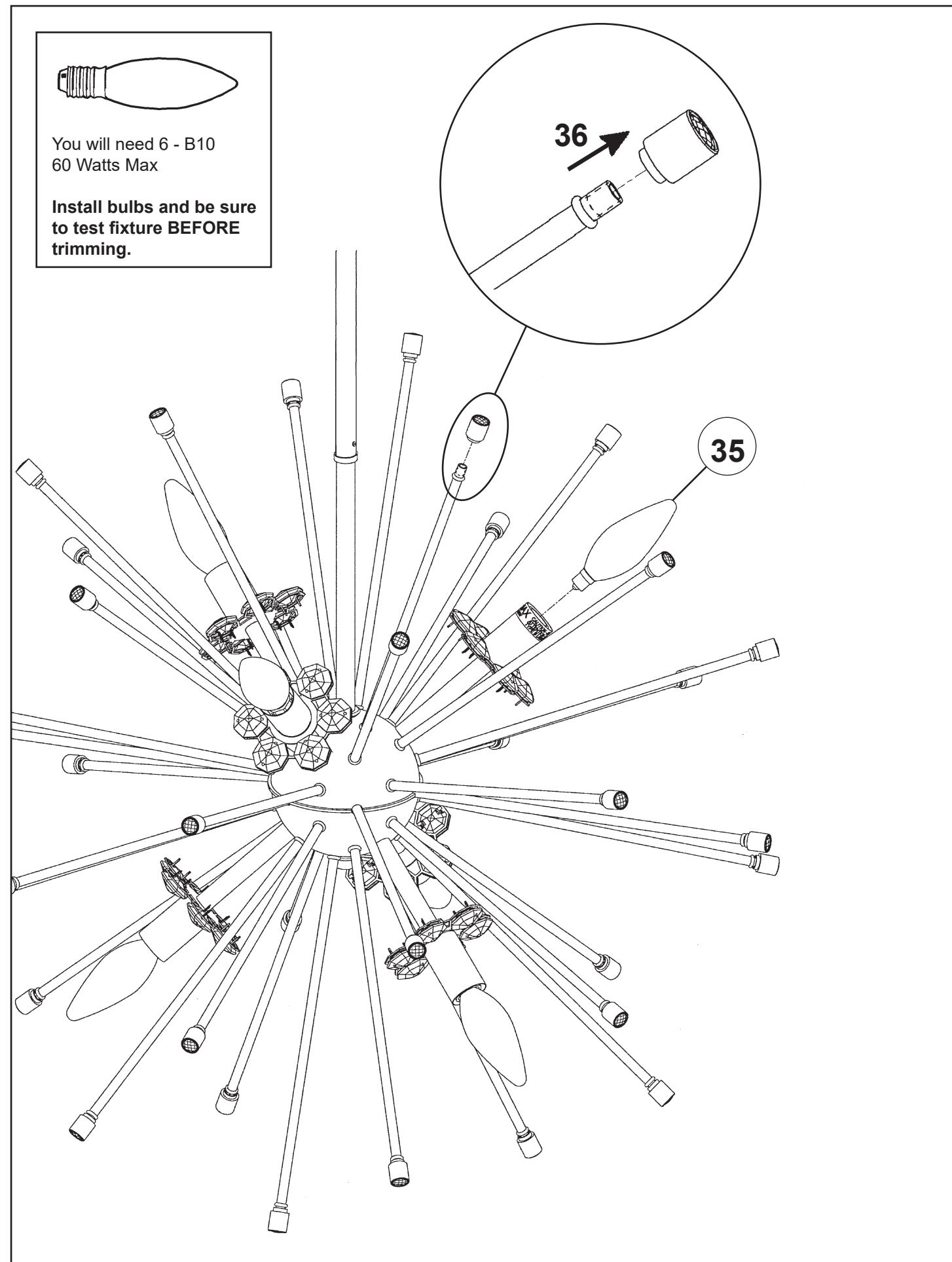
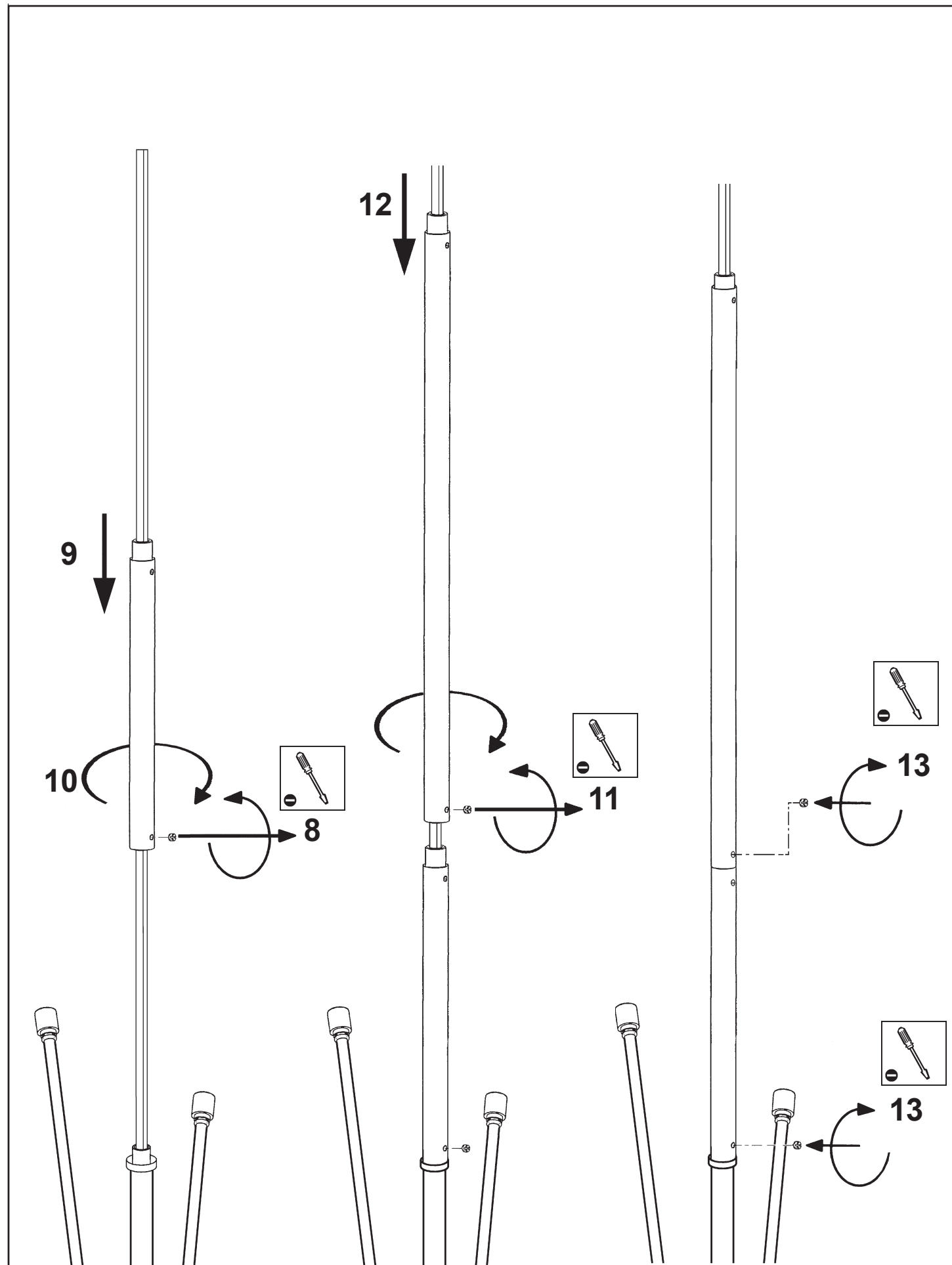
1870

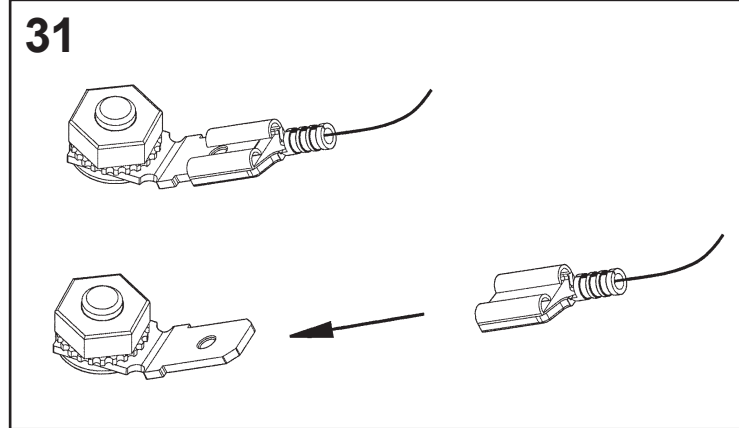
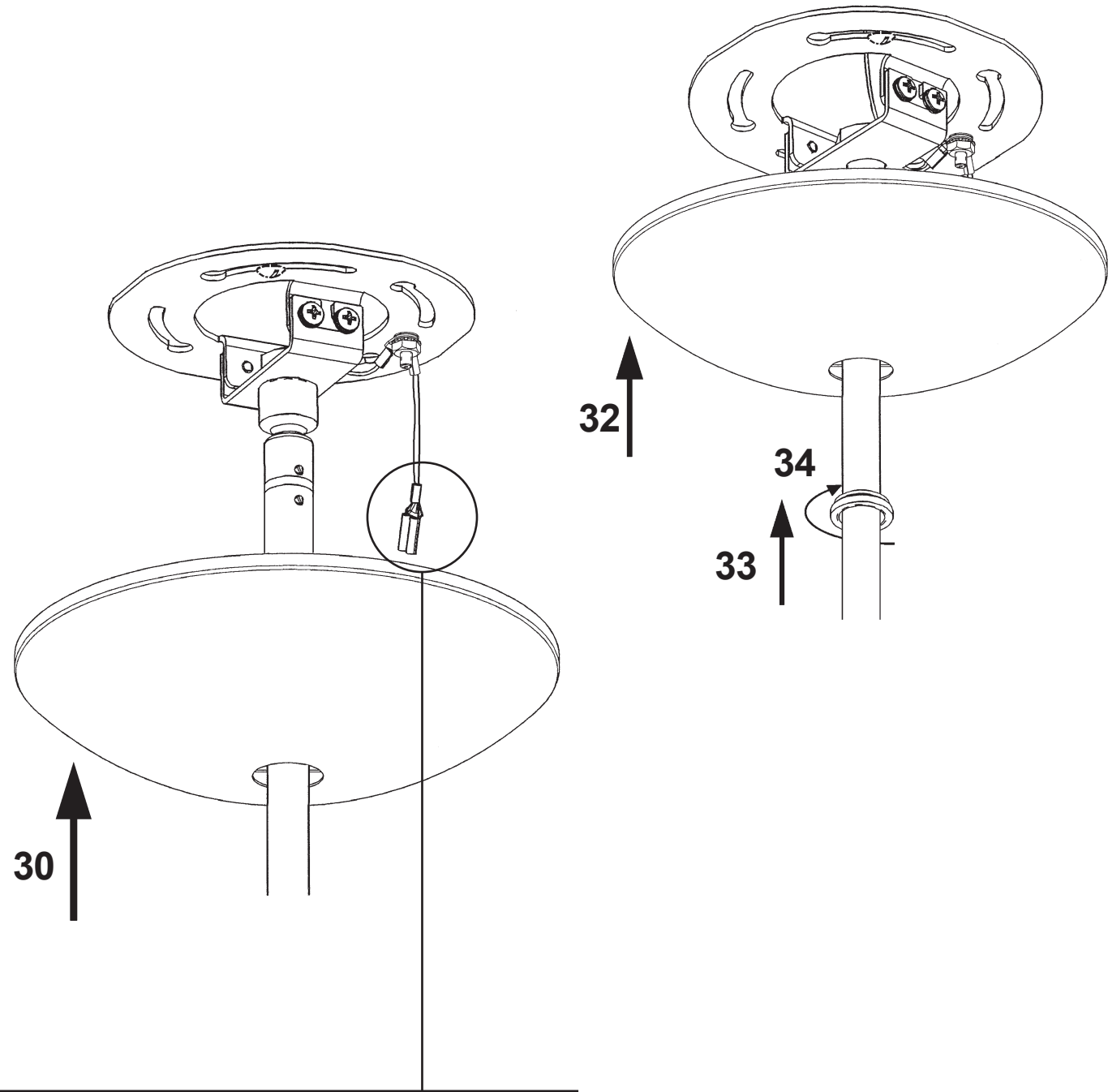


1









1 X  : 11384-**

