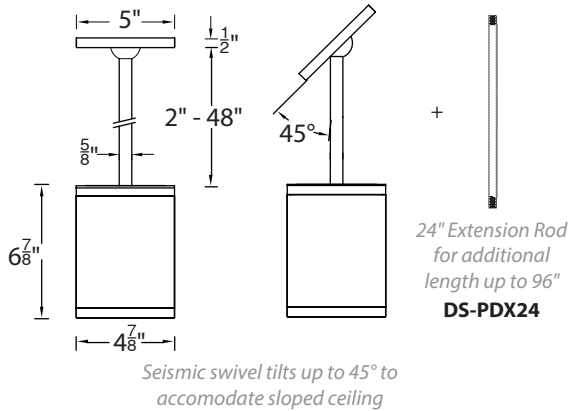


TUBE ARCHITECTURAL DS-PD05

LED Pendant Mounts

WAC LIGHTING®



Fixture Type:

Catalog Number:

Project:

Location:

PRODUCT DESCRIPTION

The latest energy efficient LED technology in an appealing cylindrical profile delivers accent lighting. Comes in various light beam angle options.

FEATURES

- High performance exterior rated LED pendant
- Includes 45° swivel canopy and 2 field cuttable 24" rods
- Solid aluminum construction
- 39° visual cutoff angle for glare control
- 5 year warranty

SPECIFICATIONS

Input:	Universal voltage 120V - 277VAC, 50/60Hz
Dimming:	Electronic low voltage (ELV) : 100% - 5% 0-10V: 100% - 1%
Light Source:	High output 3 Step Mac Adam Ellipse COB Rated life of 60,000 hours at L70
Finish:	Electrostatically powder coated, white, black, bronze and graphite
Standards:	IP65 rated, ETL & cETL wet location listed, Title 24 JA8 Compliant
Operating Temp:	-13°F to 122°F (-25°C to 50°C)

ORDERING NUMBER

Diameter	Watt	Beam	Beam Angle	Color Temp	CRI	Reference Lumen	Output ¹ CBCP	Efficacy (Lm/W)	Light Distribution	Finish
DS-PD05	5" 25W	S Spot	16°	927 2700K	90	1825	10050	73		
				27 2700K	85	2190	12057	88		
				930 3000K	90	1895	10427	76		
				30 3000K	85	2300	12644	92		
				35 3500K	85	2350	12937	94		
				40 4000K	85	2375	13062	95		
DS-PD0517	5" 17W	N Narrow	25°	927 2700K	90	1810	5280	72		BK Black WT White BZ Bronze GH Graphite
				27 2700K	85	2170	6335	87		
				930 3000K	90	1880	5478	75		
				30 3000K	85	2275	6643	91		
				35 3500K	85	2330	6797	93		
				40 4000K	85	2350	6863	94		
		F Flood	33°	927 2700K	90	1900	4515	76		
				27 2700K	85	2280	5417	91		
				930 3000K	90	1970	4685	79		
				30 3000K	85	2390	5681	96		
				35 3500K	85	2445	5812	98		
				40 4000K	85	2470	5870	99		

DS-PD05- _____ **-** _____

¹Reference output shows 25W output. Multiply by 0.7 to determine output for 17W combinations.

Example: **DS-PD05-S930-WT**

MOUNTING ACCESSORIES

	Extension Rod	DS-PDX24	One 24" extension rod for DS-PD05 Can be field cut	Finish BK Black WT White BZ Bronze GH Graphite
--	---------------	-----------------	-------------------------------------------------------	----------------------------------------------------------------------------------------

Example: **DS-PDX24-WT**

wacighting.com	Headquarters, East Manufacturing Facility	South East Manufacturing Facility	Central Manufacturing Facility	West Manufacturing Facility
Phone (800) 526.2588	44 Harbor Park Drive	1600 Distribution Ct	1700 South J Elmer Freeway, Ste 100	1750 S Archibald Ave
Fax (800) 526.2585	Port Washington, NY 11050	Lithia Springs, GA 30122	Cedar Hill, TX 75104	Ontario, CA 91761