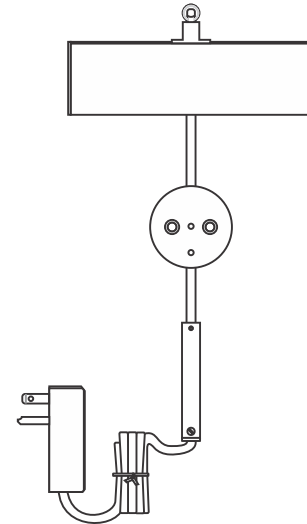


Installation Instructions for **Cody2 6" Plug-In Picture Light**

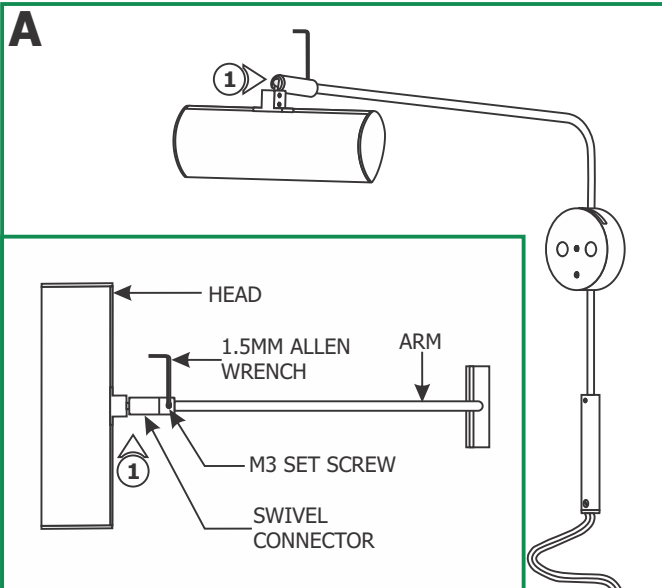
IMPORTANT INFORMATION

- This product is ETL listed for indoor location
- This product is wall mounted only.
- This instruction shows a typical installation.

SAVE THESE INSTRUCTIONS!



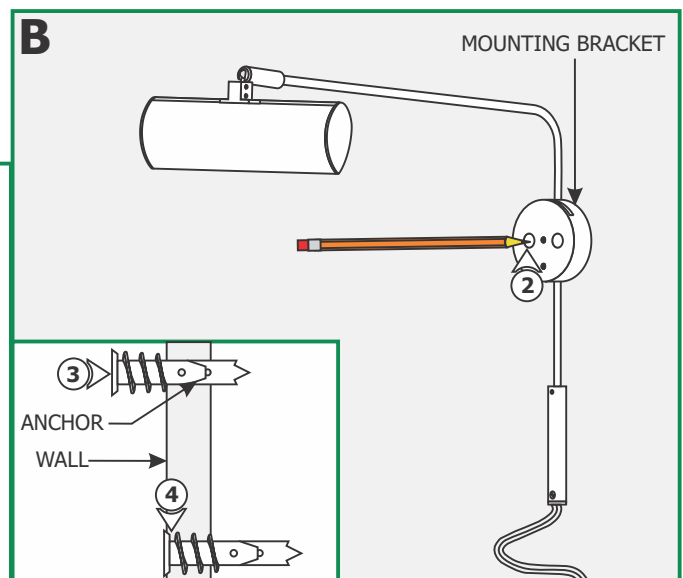
Install the Fixture

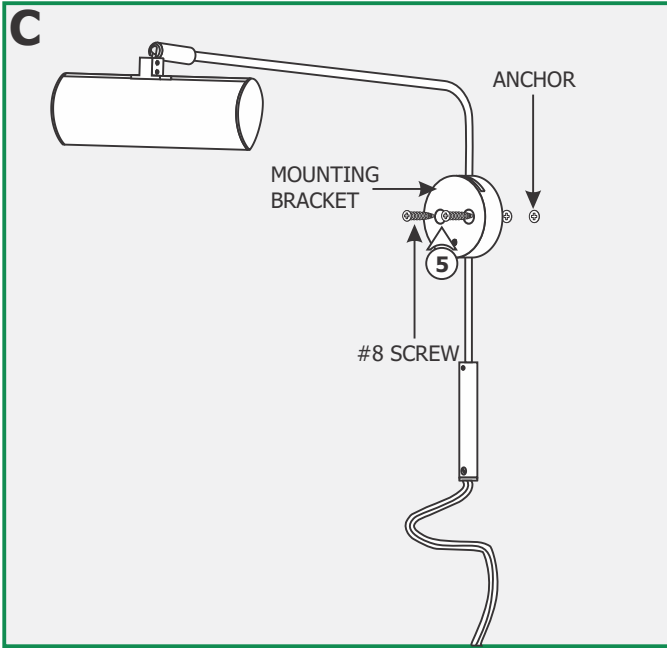


- 1:** Rotate the Cody2's head perpendicular to the arm making sure the arm is completely inserted into the head. Tighten the M3 set screw on the swivel connector with the provided 1.5mm Allen wrench to secure the head in place.

NOTE: The Cody2 6" plug-in comes with 9' of cord and plug-in power supply. Make sure there is a power outlet near to where Cody2 6" will be mounted.

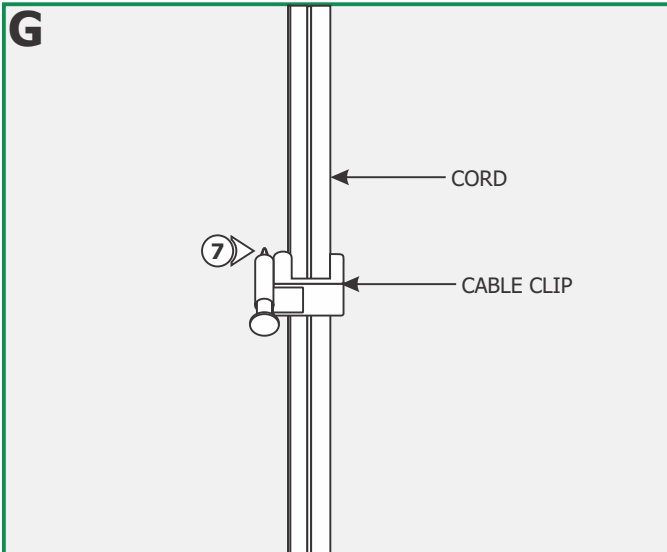
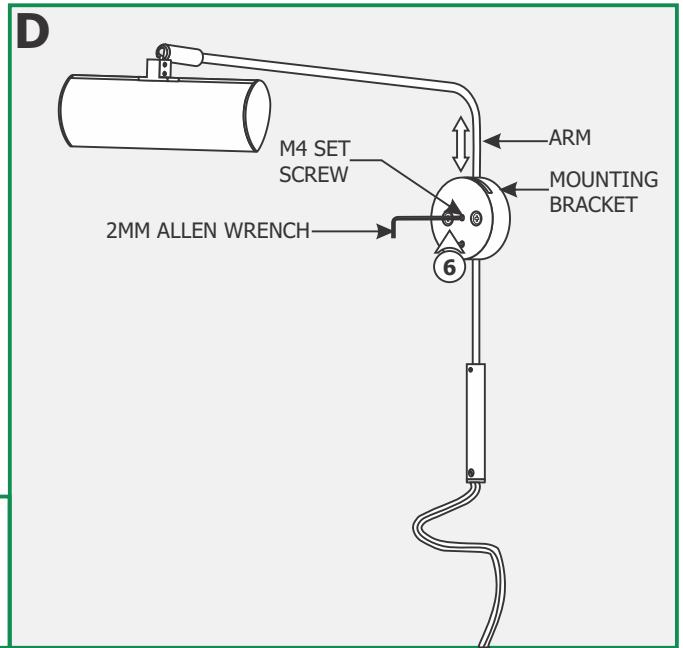
- 2:** Hold the mounting bracket against the wall where Cody2 6" will be mounted. Level the mounting bracket and mark the bracket holes on the wall.
- 3:** Tap the anchors onto the marked points into the wall up to the threaded portion with a hammer.
- 4:** Screw the threaded portion of the anchors in with the a Phillips screwdriver.



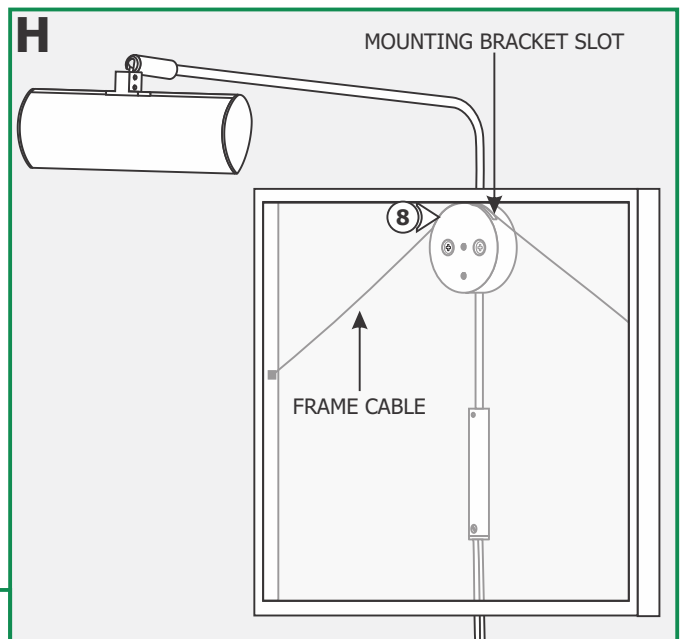


5: Line up the mounting bracket holes with the anchors and secure the fixture to the anchors with the two #8 screws provided.

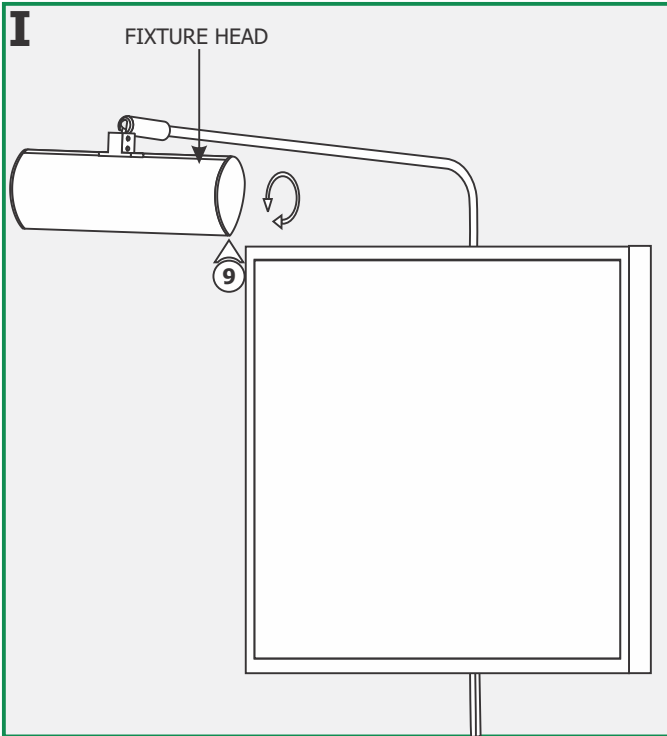
6: To adjust the Cody2 height, loosen the two M4 set screws on the mounting bracket with the provided 2mm Allen wrench. Adjust the Cody2 by sliding it up or down. When the desired height is achieved tighten the two M4 set screws with the 2mm Allen wrench.



7: Use the provided cable clips to secure the cord to the wall, or use a cable cover (not provided)

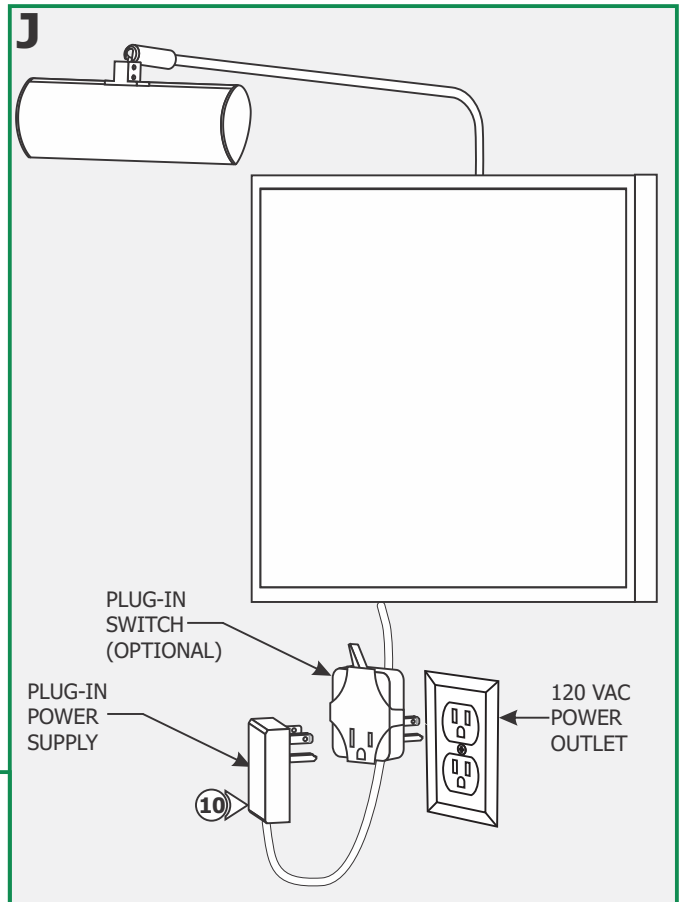


8: Hang the frame cable in the mounting bracket slot.



9: Rotate the fixture head to properly wash the picture with light.

NOTE: The Cody2 6" contains 6 watt integrated LED lamps. These lamps are rated for 50,000 hours.



10: Use the plug-in switch (optional) in line with the plug-in power supply and outlet to turn the fixture on and off. DO NOT install any other switch to the cord. This may result in damage to the LEDs.