

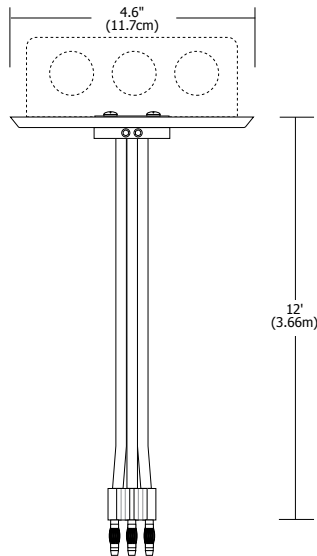


Monorail 2 Circuit 4" Round Adjustable Single End Feed Canopy

The Adjustable Single End Feed Canopy mounts to a standard 4" electrical box with plaster ring or an octagon box. The adjustable 12' (3.65m) cable powers the end of the rail where an electrical box cannot be located directly above the system. Use in conjunction with T-2X300-12 remote transformers. Satin nickel, polished nickel or antique bronze finish.

Weight:
1.7 lb (0.77kg)

System	Canopy	Type	Finish
M2P	4RD	ME	SN
M2P Monorail 2 Circuit Power Feed	4RD 4.6" (11.7cm) Round	ME Adjustable Male End	SN Satin Nickel PN Polished Nickel BZ Antique Bronze



PROJECT:

FIXTURE TYPE:

DATE: