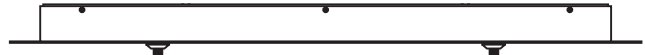


Installation Instructions for 26" Rectangle 2 & 3 Port Fast Jack Canopy Only

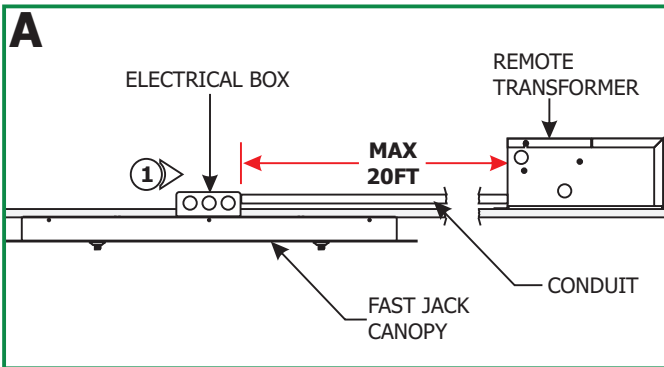
IMPORTANT INFORMATION

- This product is ETL listed for indoor dry locations.

SAVE THESE INSTRUCTIONS!

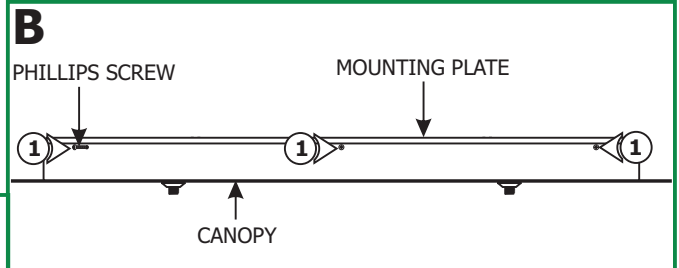


Running the Power from a Remote Transformer to the Fast Jack Canopy

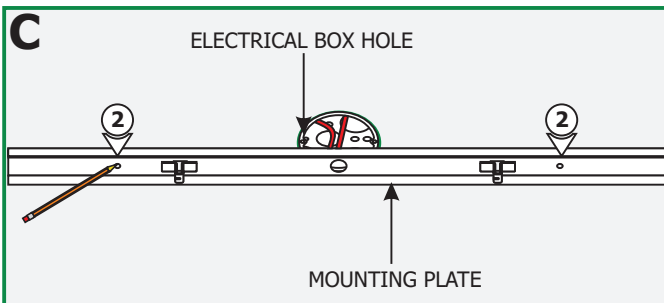


1: Run the low voltage wires from a remote transformer to electrical box where Fast Jack canopy is going to be installed. It is recommended to install the remote transformer near the electrical box to avoid voltage drop. Refer to the instructions provided with remote transformer for low voltage wire size chart. Refer to the low voltage wire size chart provided with the remote transformer.

Install the Canopy



1: Loosen and remove the six Phillips screws from the canopy to remove the mounting plate.

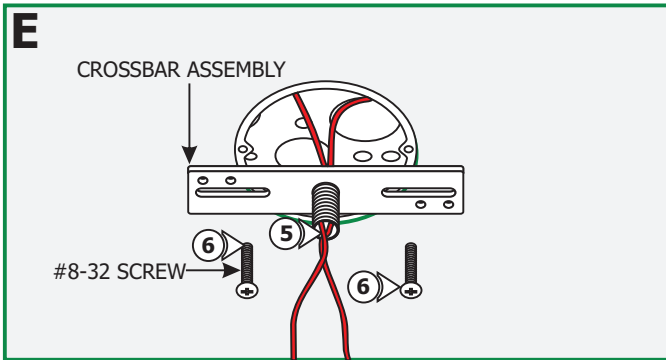


2: Align the mounting plate holes with the electrical box holes and mark a point through the mounting plate holes onto the ceiling. These points are used for the anchors.

3: Tap the anchors onto the marked points up to the threaded portion with a hammer.

4: Screw in the threaded portion of the anchors with a Phillips screwdriver.

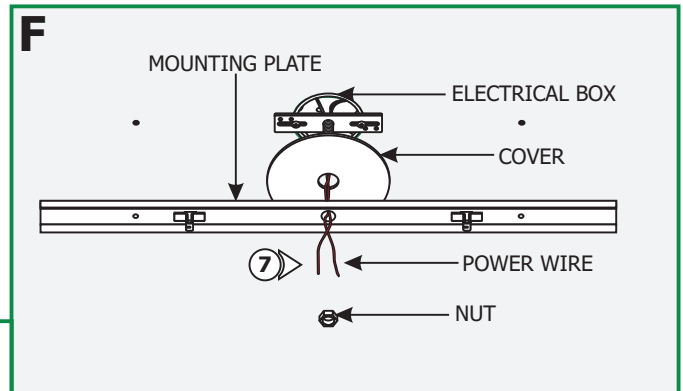




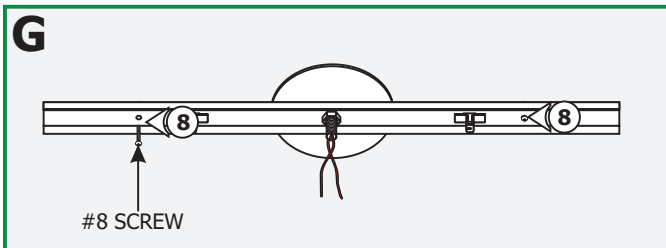
5: Feed the power wires through the crossbar assembly center hole.

6: Mount the crossbar assembly to the electrical box holes with the provided #8-32 screws.

7: Slide the cover and mounting plate center hole onto the crossbar threaded nipple and secure it with the nut provided.

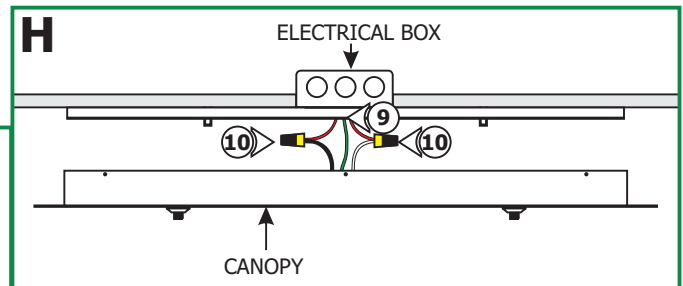


8: Secure the mounting plate to the anchors with the provided #8 screws.



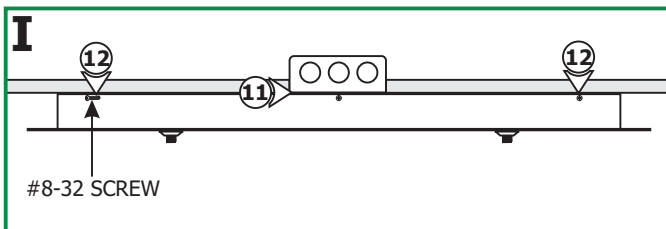
9: Make sure that the mounting plate is grounded in accordance with local electrical codes.

10: Connect each canopy wire to one low voltage transformer wire with a wire nut.



11: Place all the wires and wire nut connections inside the canopy.

12: Align and secure the canopy to the mounting plate by tightening the six #8-32 screws.



CAUTION: Risk of Fire: The total load of the Fast Jack canopy ports should not exceed the remote transformer rated capacity.

13: Use fingers to tighten each Fast Jack fixture connector into one Fast Jack canopy port.

