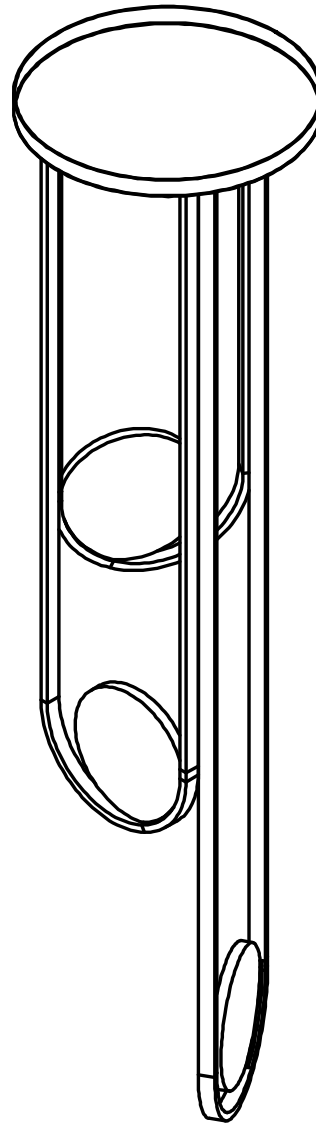


hollis+morris

**ellipse
chandelier**

product installation + specifications



ellipse chandelier

product code:

ELPSchandelier

materials:

- + Metal
- + Frosted acrylic

input:

- + 120V 50/60 Hz (Canada + US)

output:

- + 26.4 W
- +450 lumens
- + 3000K

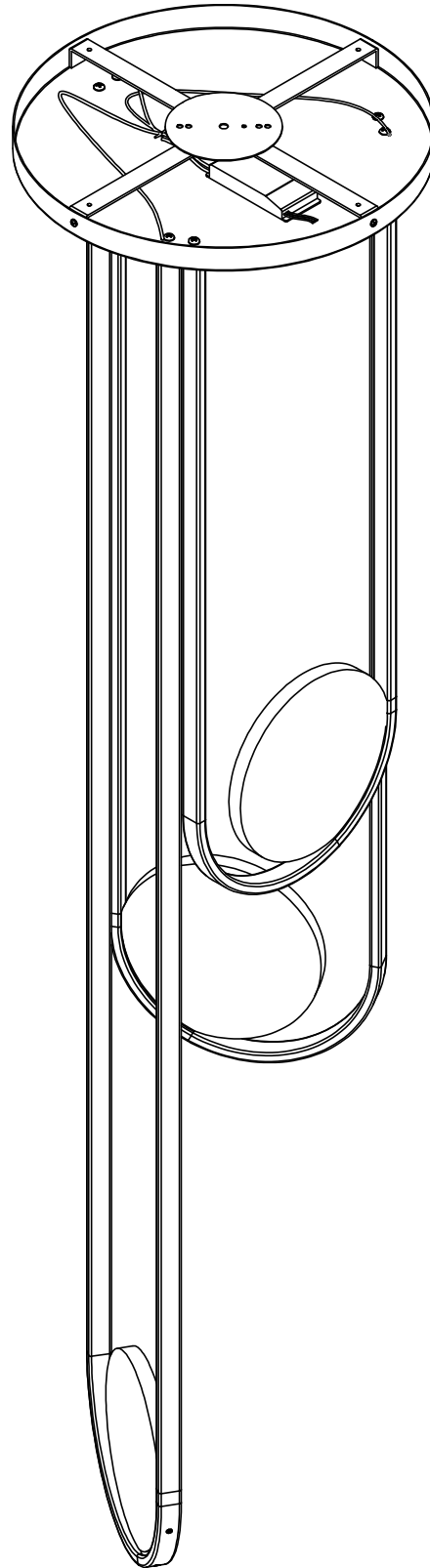
driver:

- + 120VAC - 24VDC
- + 24V phase dimmable driver
- + 277VAC - 0-10V dimmable driver also available upon request

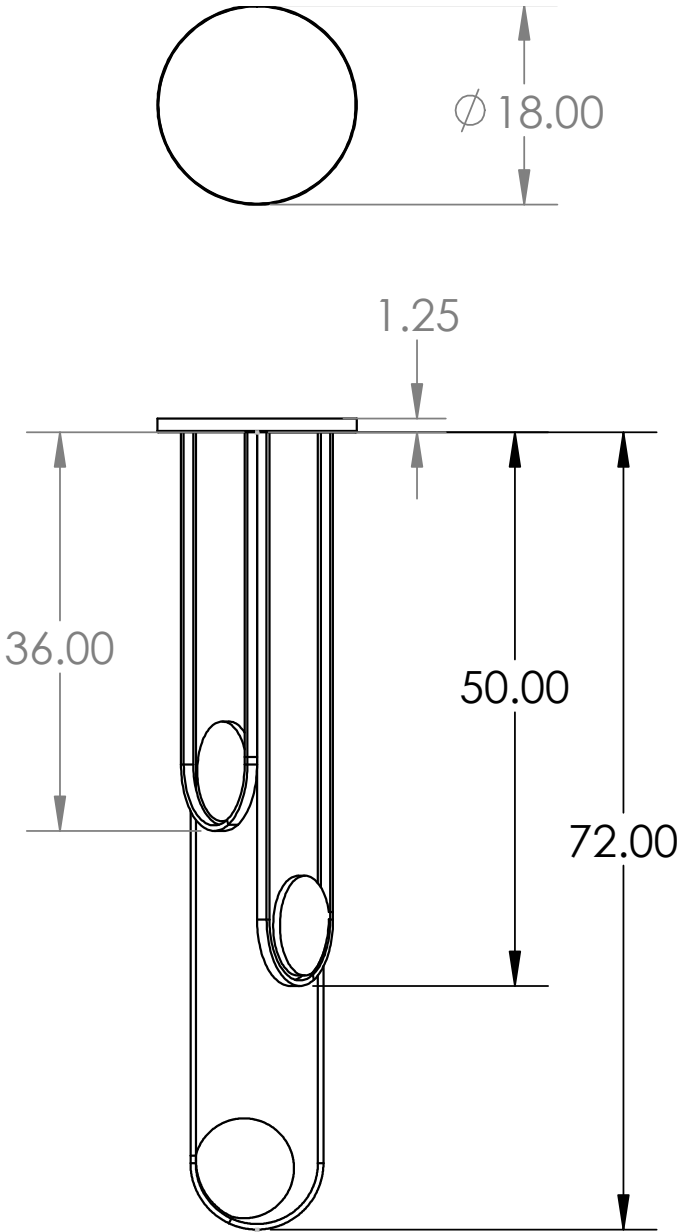
suspension and canopy:

- + 2 point suspension (per fixture)
- + Single canopy connection
- + 10' power cable
- + Canopy supplied with fixture
- + Standard canopy finish: ceiling white
- + Custom finish available upon request

certification:

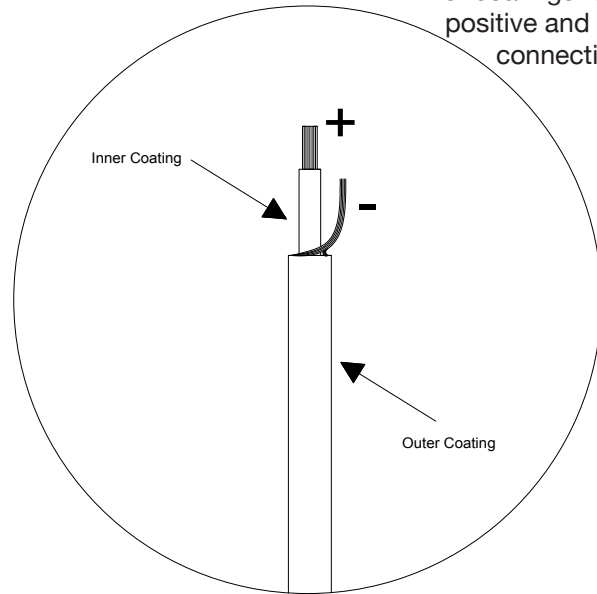
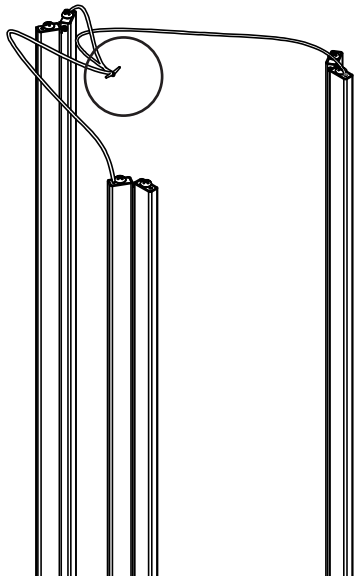


dimensions + installation



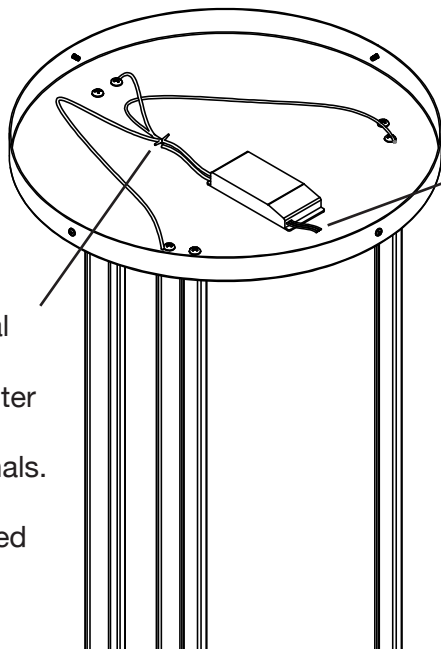
dimensions + installation

Power cable requires stripping of outer and inner coatings to access positive and negative connection wires



1. Locate desired canopy location on ceiling
2. Have a certified electrician connect the respective units to the driver and mount the driver within the canopy with double-sided tape before connecting said driver to 120V domestic power.
3. Securely mount canopy to ceiling.

Connect central coax wiring to positive and outer coax wiring to negative terminals. All wire colour coding is marked on the driver.



Connect live, neutral and earth wires to mains and ground.

