

MULTIPLE RECESSED AMIGO LED 15W



31765

HOUSING

- 18 gauge powder coated steel housing
- Remodel housing complete with adjustable mounting clips suitable for 1/2" and 5/8" drywall
- New construction plate, insulated ceiling box and airtight IC box sold separately (refer to housing options) *

LAMPING

- 2 x 15W Integrated LED TRIAC Dimming. For 0-10V and alternate dimming options consult Eurofase.
- Beam angle: 40°
- Kelvin: 3000K/3500K
- Lumen per head: 1290lm
- Total Lumen: 2580lm
- CRI: 80+

ELECTRICAL

- Class 2 dimmable constant current driver (included)
- Driver box mates to fixture by 12" flexible BX cable
- Thermally protected
- Input voltage: 120V. For 277V and 347V input options consult Eurofase.

DIMENSIONS

- Cut hole: 6 13/16"L x 3 3/8"W
- Fixture: 7 5/16"L x 3 7/8"W x 5 3/4"H

PHOTOMETRICS

- See pg 124

CUSTOMIZATION

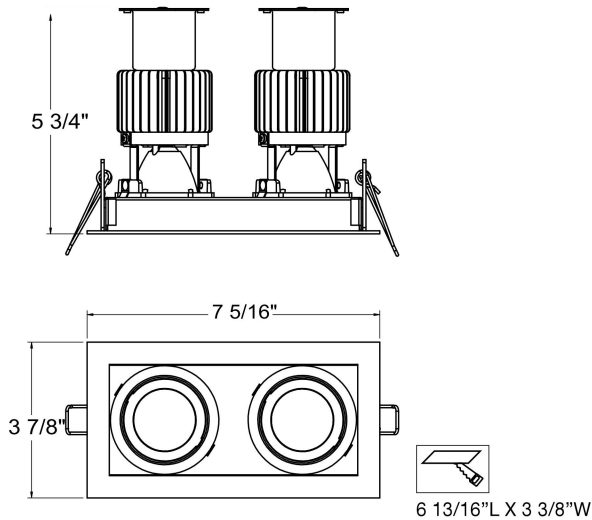
- For customization, please consult Eurofase

SPECIFICATION:



WATTS PER HEAD	LUMENS PER HEAD	KELVIN	DIMMABLE	CRI	BEAM ANGLE
15W	1290lm	3000K / 3500K	TRIAC	80+	40°

PRODUCT DIMENSION:



FINISHES:



-028 Black



-015 White

ORDERING GUIDE:

MODEL	KELVIN	FINISH
31765	-30 3000K	-028 Black
	-35 3500K	-015 White

EXAMPLE: 31765-30-028



Driver box included

*HOUSING OPTIONS (SOLD SEPARATELY):

Refer to page 150 for housing specification

31877-015

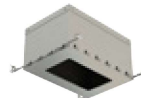
NEW CONSTRUCTION PLATE



Cut Hole 6 13/16"L x 3 3/8"W
Dimension 17"L x 12 3/4"W x 1 3/8"H

31879-023
31879-019

AIR-TIGHT IC BOX
INSULATED CEILING BOX



Cut Hole 6 13/16"L x 3 3/8"W
Dimension 17"L x 12 3/4"W x 11 1/2"H

MULTIPLE RECESSED AMIGO LED 15W



DOWNLIGHT

31766

HOUSING

- 18 gauge powder coated steel housing
- Remodel housing complete with adjustable mounting clips suitable for 1/2" and 5/8" drywall
- New construction plate, insulated ceiling box and airtight IC box sold separately (refer to housing options)*

LAMPING

- 3 x 15W Integrated LED TRIAC Dimming. For 0-10V and alternate dimming options consult Eurofase.
- Beam angle: 40°
- Kelvin: 3000K/3500K
- Lumen per head: 1290lm
- Total Lumen: 3870lm
- CRI: 80+

ELECTRICAL

- Class 2 dimmable constant current driver (included)
- Driver box mates to fixture by 12" flexible BX cable
- Thermally protected
- Input voltage: 120V. For 277V and 347V input options consult Eurofase.

DIMENSIONS

- Cut hole: 10 1/4"L x 3 3/8"W
- Fixture: 10 3/4"L x 3 7/8"W x 5 3/4"H

PHOTOMETRICS

- See pg 125

CUSTOMIZATION

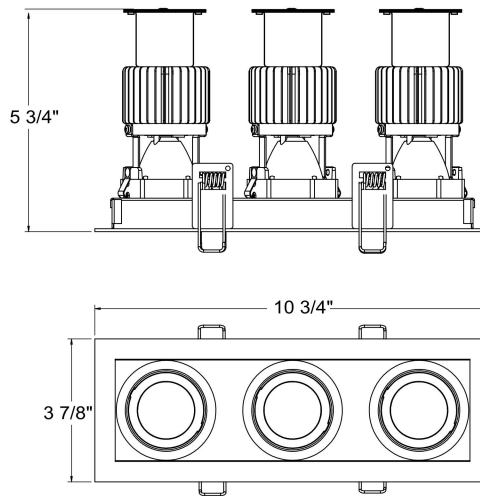
- For customization, please consult Eurofase

SPECIFICATION:



WATTS PER HEAD	LUMENS PER HEAD	KELVIN	DIMMABLE	CRI	BEAM ANGLE
15W	1290lm	3000K / 3500K	TRIAC	80+	40°

PRODUCT DIMENSION:



FINISHES:



-024 Black



-012 White



10 1/4"L x 3 3/8"W

ORDERING GUIDE:

MODEL	KELVIN	FINISH
31766	-30 3000K	-024 Black
	-35 3500K	-012 White

EXAMPLE: 31766-30-024



*HOUSING OPTIONS (SOLD SEPARATELY):

Refer to page 150 for housing specification

31878-012

NEW CONSTRUCTION PLATE



Cut Hole 10 1/4"L x 3 3/8"W
Dimension 25"L x 12"W x 1 3/8"H

31880-026

AIR-TIGHT IC BOX

31880-015

INSULATED CEILING BOX



Cut Hole 10 1/4"L x 3 3/8"W
Dimension 25"L x 12"W x 11 1/2"H