

# AMIGO 26W GIMBAL

35138



### LAMPING

- 1 x 26W Integrated LED TRIAC Dimming. For 0-10V and alternate dimming options consult Eurofase.
- **Beam angle:** 40°
- **Kelvin:** 3000K/3500K
- **Lumen per head:** 2560lm
- **CRI:** 90+

### ELECTRICAL

- Class 2 dimmable constant current driver (included)
- Driver box mates to fixture by 12" flexible BX cable
- Thermally protected
- **Input voltage:** 120V  
For 277V and 347V input options consult Eurofase

### HOUSING

- 18 gauge powder coated steel housing
- Remodel housing complete with adjustable mounting clips suitable for 1/2" and 5/8" drywall
- New construction plate, insulated ceiling box and airtight IC box sold separately (refer to housing options)\*

### GIMBAL

- Adjustable direction suits different application requirements
- **Tilt:** 30°

### DIMENSIONS

- **Cut hole:** 6 1/4"L x 6 1/4"W
- **Fixture:** 6 3/4"L x 6 3/4"W x 5 1/4"H

### PHOTOMETRICS

- See pg 44

### CUSTOMIZATION

- For customization, please consult Eurofase

### ORDERING GUIDE

MODEL	KELVIN	FINISH
35138	-30 3000K	-01 Black
	-35 3500K	-02 White

**EXAMPLE:** 35138-30-01

### SPECIFICATIONS

LED	WATTS	LUMENS	KELVIN	DIMMABLE	CRI	BEAM ANGLE	TILT
	26W	2560lm	3000K / 3500K	TRIAC	90+	40°	30°



### FINISHES

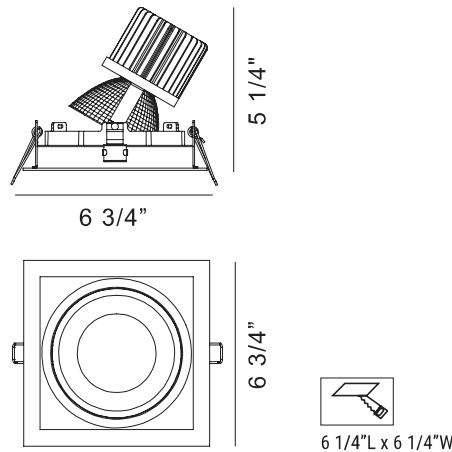


-01 Black



-02 White

### PRODUCT DIMENSIONS



### \*HOUSING OPTIONS (SOLD SEPARATELY):

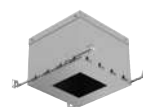
Refer to page 123 for housing specification

**36255-016** NEW CONSTRUCTION PLATE

**36203-017** AIRTIGHT IC BOX



**Dimension** 12 3/4"L x 12 3/4"W x 1 3/8"H  
**Cut Hole** 6 1/4"L x 6 1/4"W



**Dimension** 12 3/4"L x 12 3/4"W x 1 1/2"H  
**Cut Hole** 6 1/4"L x 6 1/4"W