

AMIGO 15W TRIMLESS DOWNLIGHT

36024



LAMPING

- 2 x 15W Integrated LED TRIAC Dimming. For 0-10V and alternate dimming options consult Eurofase.
- **Beam angle:** 40°
- **Kelvin:** 3000K/3500K
- **Lumen per head:** 1290lm
- **Total Lumens:** 2580lm
- **CRI:** 90+

ELECTRICAL

- Class 2 dimmable constant current driver (included)
- Driver box mates to fixture by 12" flexible BX cable
- Thermally protected
- **Input voltage:** 120V
For 277V and 347V input options consult Eurofase

HOUSING

- 18 gauge powder coated steel housing
- New construction plate, insulated ceiling box and airtight IC box sold separately (refer to housing options)*

MESH PLATE

- Steel mesh plate (included)
- Perforated perimeter allows mud to bond to mounting surface leaving a seamless finish in the ceiling

DIMENSIONS

- **Cut hole:** 6 1/2"L x 3"W
- **Fixture:** 6 1/4"L x 2 3/4"W x 4 1/8"H

PHOTOMETRICS

- See pg 24

CUSTOMIZATION

- For customization, please consult Eurofase

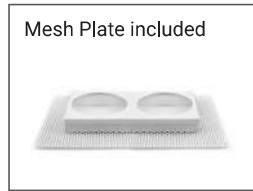
ORDERING GUIDE

MODEL	KELVIN	FINISH
36024	-30 3000K	-01 Black
	-35 3500K	-02 White

EXAMPLE: 36024-30-01

SPECIFICATIONS

LED	WATTS	TOTAL LUMENS	KELVIN	DIMMABLE	CRI	BEAM ANGLE
	15W	2580lm	3000K / 3500K	TRIAC	90+	40°



FINISHES

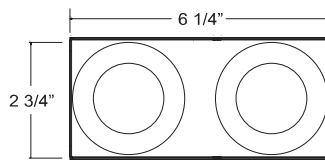
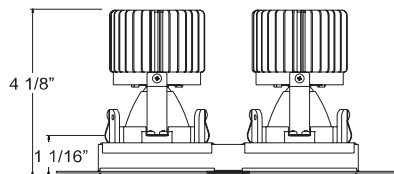


-01 Black



-02 White

PRODUCT DIMENSIONS



6 1/2"L x 3"W

***HOUSING OPTIONS (SOLD SEPARATELY):**

Refer to page 122 for housing specification

36226-016 NEW CONSTRUCTION PLATE

36227-013 AIRTIGHT IC BOX



Dimension 17"L x 12 3/4"W x 1 3/8"H
Cut Hole 6 1/2"L x 3"W



Dimension 17"L x 12 3/4"W x 1 1/2"H
Cut Hole 6 1/2"L x 3"W

AMIGO 15W TRIMLESS DOWNLIGHT

36026



LAMPING

- 3 x 15W Integrated LED TRIAC Dimming. For 0-10V and alternate dimming options consult Eurofase.
- **Beam angle:** 40°
- **Kelvin:** 3000K/3500K
- **Lumen per head:** 1290lm
- **Total Lumens:** 3870lm
- **CRI:** 90+

ELECTRICAL

- Class 2 dimmable constant current driver (included)
- Driver box mates to fixture by 12" flexible BX cable
- Thermally protected
- **Input voltage:** 120V
For 277V and 347V input options consult Eurofase

HOUSING

- 18 gauge powder coated steel housing
- New construction plate, insulated ceiling box and airtight IC box sold separately (refer to housing options)*

MESH PLATE

- Steel mesh plate (included)
- Perforated perimeter allows mud to bond to mounting surface leaving a seamless finish in the ceiling

DIMENSIONS

- **Cut hole:** 10"L x 3"W
- **Fixture:** 9 3/4"L x 2 3/4"W x 4 1/8"H

PHOTOMETRICS

- See pg 25

CUSTOMIZATION

- For customization, please consult Eurofase

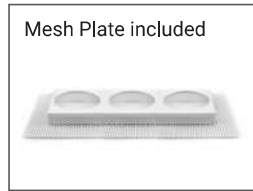
ORDERING GUIDE

MODEL	KELVIN	FINISH
36026	-30 3000K	-01 Black
	-35 3500K	-02 White

EXAMPLE: 36026-30-01

SPECIFICATIONS

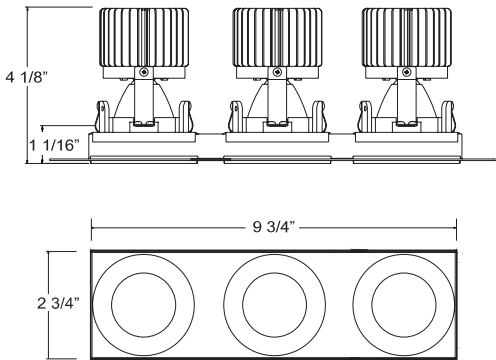
LED	WATTS	TOTAL LUMENS	KELVIN	DIMMABLE	CRI	BEAM ANGLE
	15W	3870lm	3000K / 3500K	TRIAC	90+	40°



FINISHES



PRODUCT DIMENSIONS



***HOUSING OPTIONS (SOLD SEPARATELY):**

Refer to page 122 for housing specification

36229-017 NEW CONSTRUCTION PLATE

36230-013 AIRTIGHT IC BOX



Dimension 25"L x 12"W x 1 3/8"H
Cut Hole 10"L x 3"W



Dimension 25"L x 12"W x 1 1/2"H
Cut Hole 10"L x 3"W