

EVERGLADES G4 BI-PIN AREA LIGHT

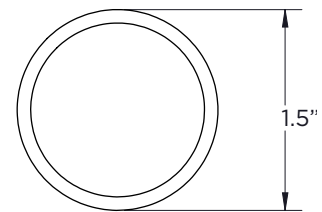


DESCRIPTION

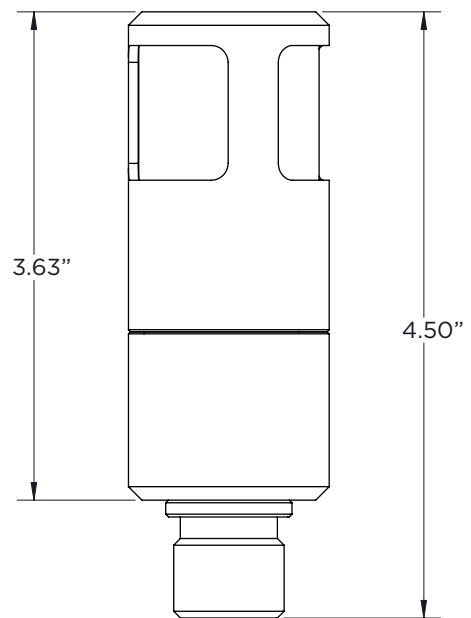
The Everglades is an area light that serves as a low-profile indicator. Pair with the optional Deck Mount accessory as a base for flat surfaces like boating docks and deck applications.

EVERGLADES AREA LIGHT

Use	Pathways & Walkways Dock & Deck Applications	
Finish	Brass or Black Brass (Cerakote®)	
Includes	ABS Mounting Stake, LightingShrink Professional Crimp, and Heat Shrink Cable Connector	
Order With Lamp	Micro G4 Bi-Pin in Amber	EVERGLADES-AL-G4-BR EVERGLADES-AL-G4-BR-BLK
Order Without Lamp	Fits G4 Bi-Pin	EVERGLADES-AL-G4-BR-NL EVERGLADES-AL-G4-BR-BLK-NL



Everglades shown with Deck Mount accessory



Brass (BR)



Black Brass + Cerakote®
(BR-BLK)



EVERGLADES UP-G4-BR

SOFT SOIL APPLICATIONS: INSTALLING THE GROUND STAKE & FIXTURE

1. Connect the power cable from the fixture body to the landscape cable.
2. Lay the power cable into the slotted relief on the stake.
3. Press the fixture and stake into the ground.
4. Use a level to ensure the top of the stake is level with the ground.

HARD SOIL APPLICATIONS: INSTALLING THE GROUND STAKE & FIXTURE

1. Unscrew the fixture body from the stake.
2. Dig a hole approximately 4" wide by 10" deep and gently tap the stake into the ground with a rubber mallet.
3. Use a level to ensure the top of the stake is level with the ground.
4. Reinstall the fixture body onto the stake and lay the power cable into the slotted relief on the stake.
5. Connect the power cable from the fixture body to the landscape cable.

ADJUSTING THE FIXTURE

1. Turn the thumbnut counter-clockwise to loosen the knuckle.
2. Rotate the fixture vertically to the preferred position.
3. Turn the thumbnut clockwise to hold it in the preferred position.

INSTALLING THE LAMP

1. Pull the assembly top off of the fixture base.
2. Install the lamp into the socket.
3. Press the assembly top into fixture.

DECK APPLICATIONS: INSTALLING WITH THE BRILLIANCE DECK MOUNT

1. Use three #10 x 3" round head stainless steel deck screws to mount the Deck Mount to wood or composite deck material.