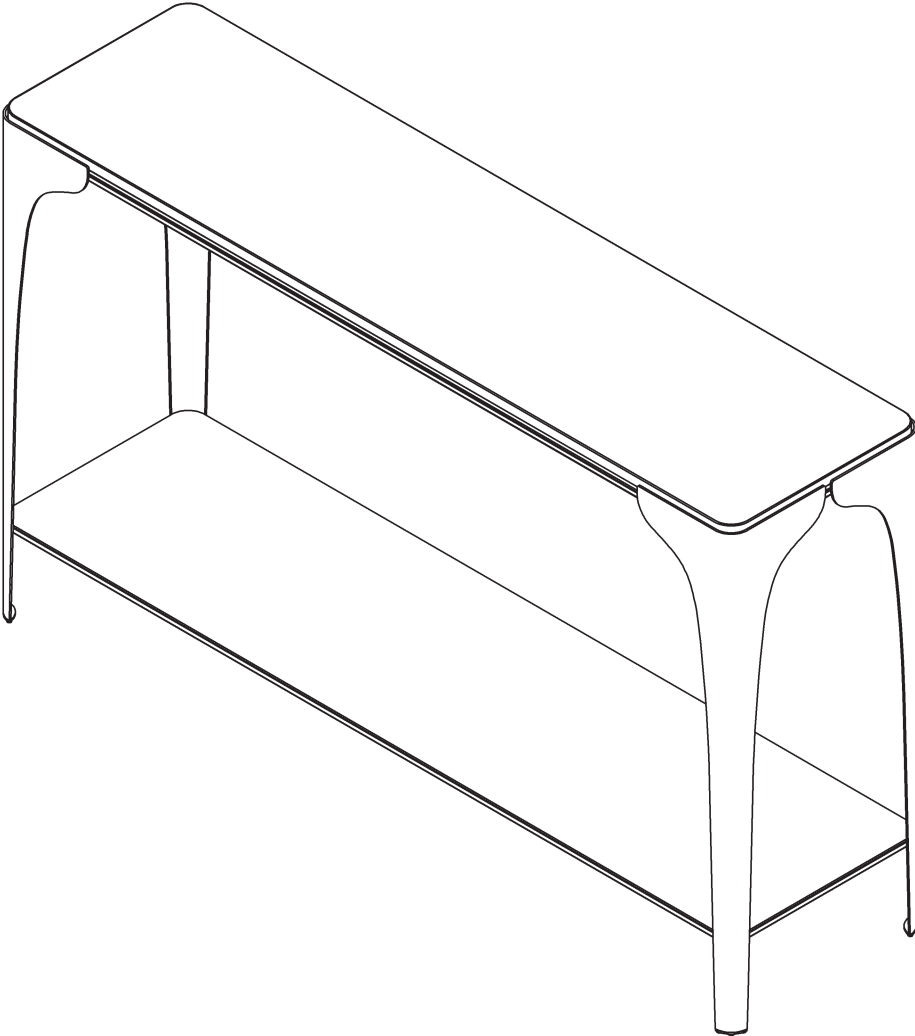


ASSEMBLY & INSTALLATION INSTRUCTIONS

F29

Cove Console Table 750127

---



**Component Parts**

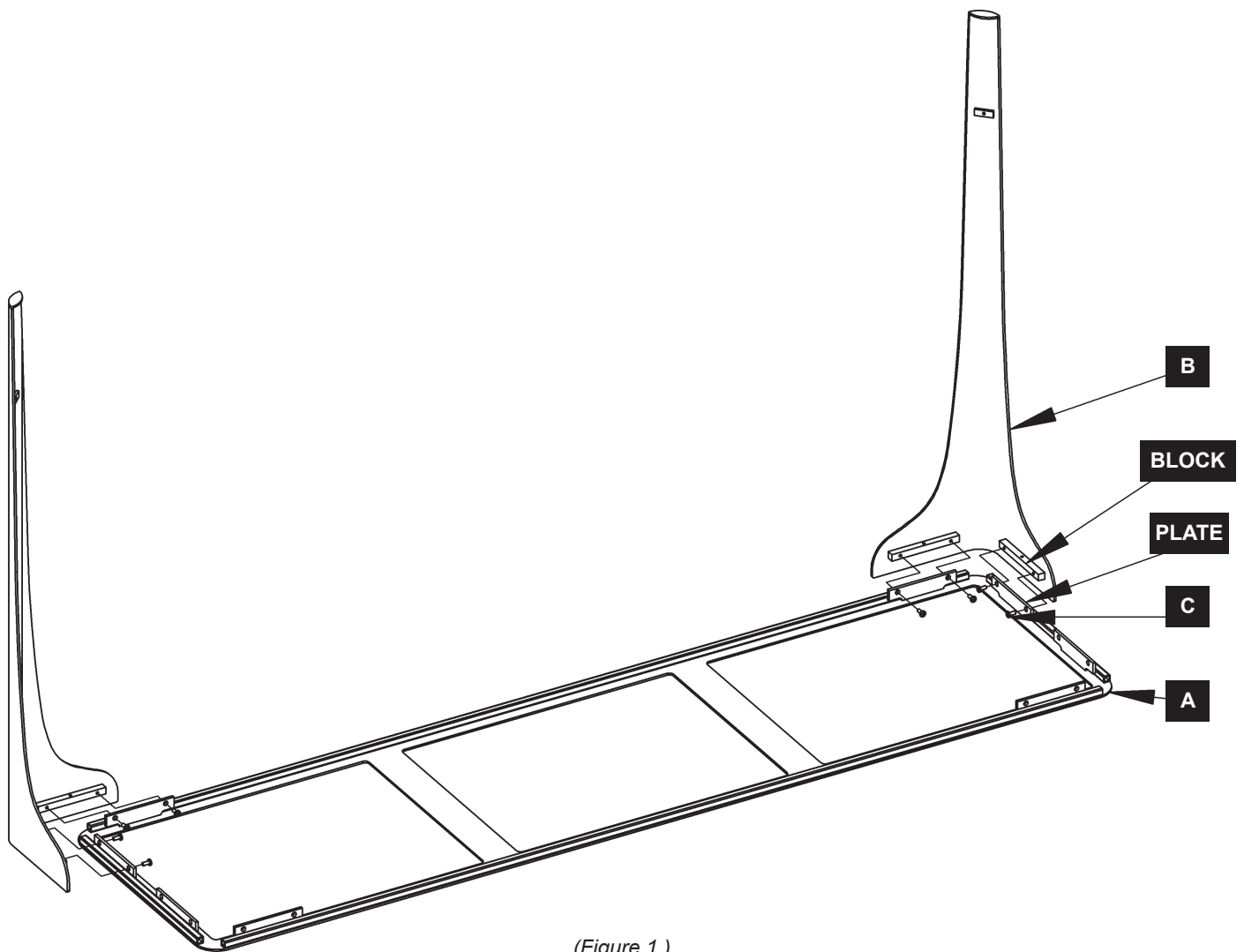
- A Table Top**
- B Leg (4)**
- C Screw (20)**
- D Shelf**
- E Shelf Tab (4)**
- F Leg Plate (4)**
- G Felt Pads (8)**
- H Clear Rubber Pads (14)**
- I Marble**



Cove Console Table 750127

## To Assemble Table Legs & Lower Shelf (Figures 1 thru 3)

1. Carefully unpack table top (A), shelf (D) and legs (B).
2. Position table top (A) upside down on flat surface. See orientation in Figure 1.
3. Screws (C) are shipping in kit bag. Locate screws before beginning assembly.
4. Place leg (B) up against corner of table (A). Line up holes in leg (B) block with plate on table (A).
5. Start (4) screws (C) in leg (B). Repeat for second leg on long side of table as seen in Figure 1.
6. Follow steps on next page to install lower shelf (D) and remaining legs (B).

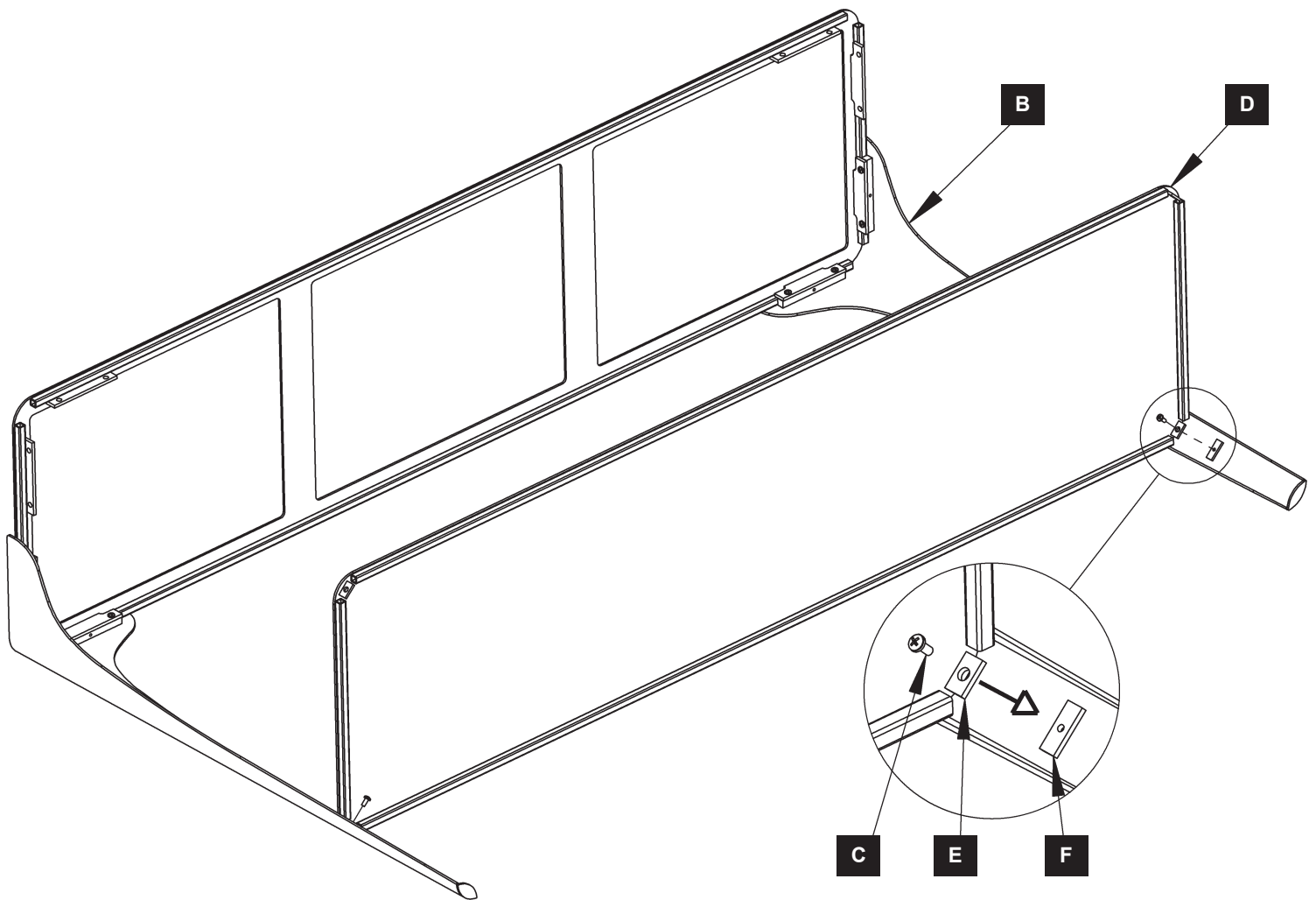


# ASSEMBLY & INSTALLATION INSTRUCTIONS

F29

## Cove Console Table 750127

7. Lay table top (A) with two attached legs (B) on it's side as seen in Figure 2.
8. Locate shelf (D) and align as seen in Figure 2.
9. Align hole in shelf tab (E) with hole in leg plate (F). Secure to leg plate (F) with screw (C).
10. Repeat for remaining leg plate (F).
11. Tighten both screws (C).
12. Follow steps on next page to install the two remaining legs.



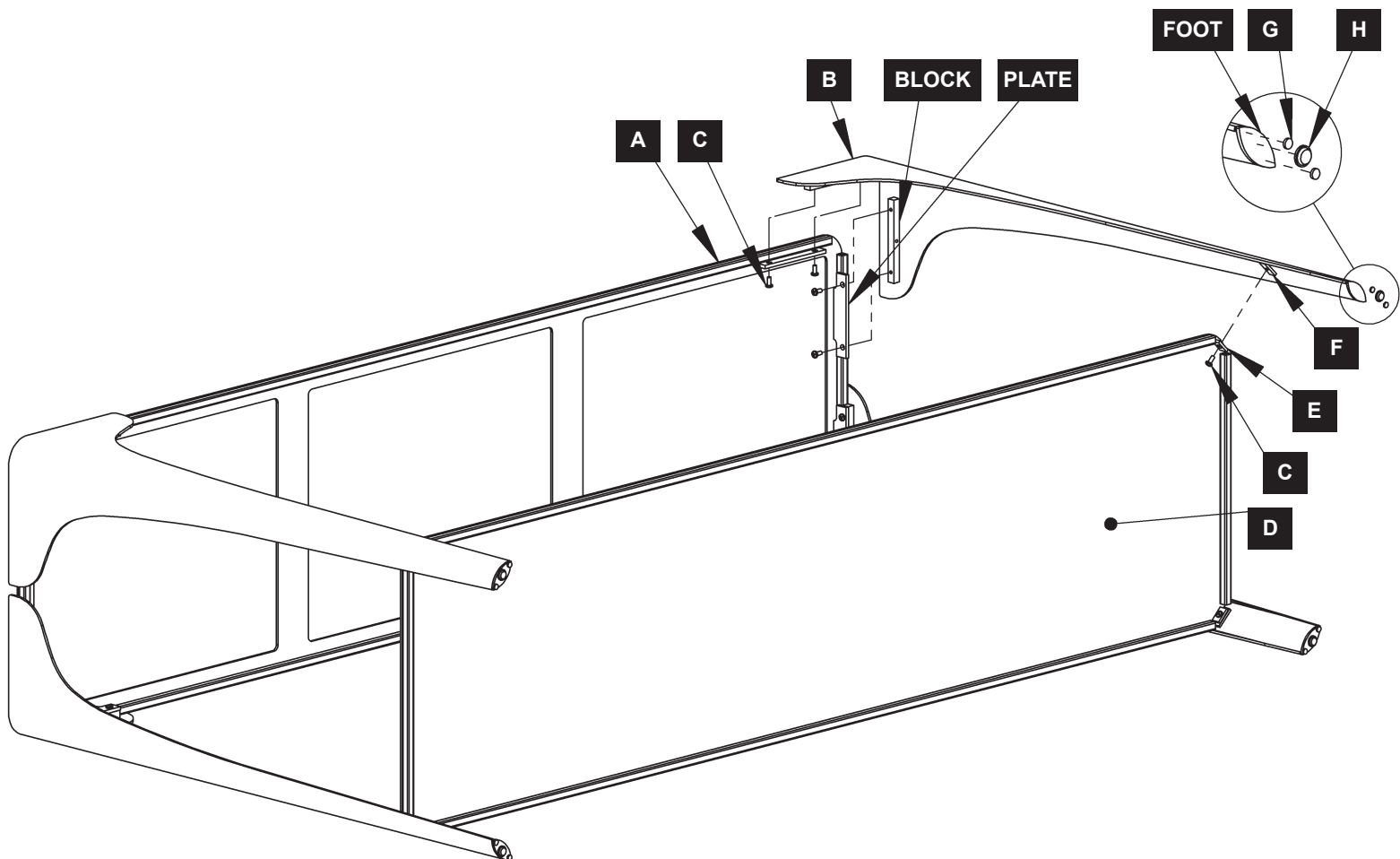
(Figure 2)

# ASSEMBLY & INSTALLATION INSTRUCTIONS

F29

## Cove Console Table 750127

13. Place leg (B) up against corner of table (A). Line up holes in leg (B) block with plate on table (A).
14. Start (4) screws (C) in leg (B).
15. Align hole in shelf tab (E) with hole in leg plate (F). Secure to leg plate (F) with screw (C).
16. Repeat for remaining leg plate (B).
17. Tighten all screws (C) in table.
18. Depending on floor surface, adhere either felt pads (G) or clear rubber pad (H) to foot of each leg (B).
19. Flip table to upright position.
20. Follow instructions on next page to install marble table top.



(Figure 3)

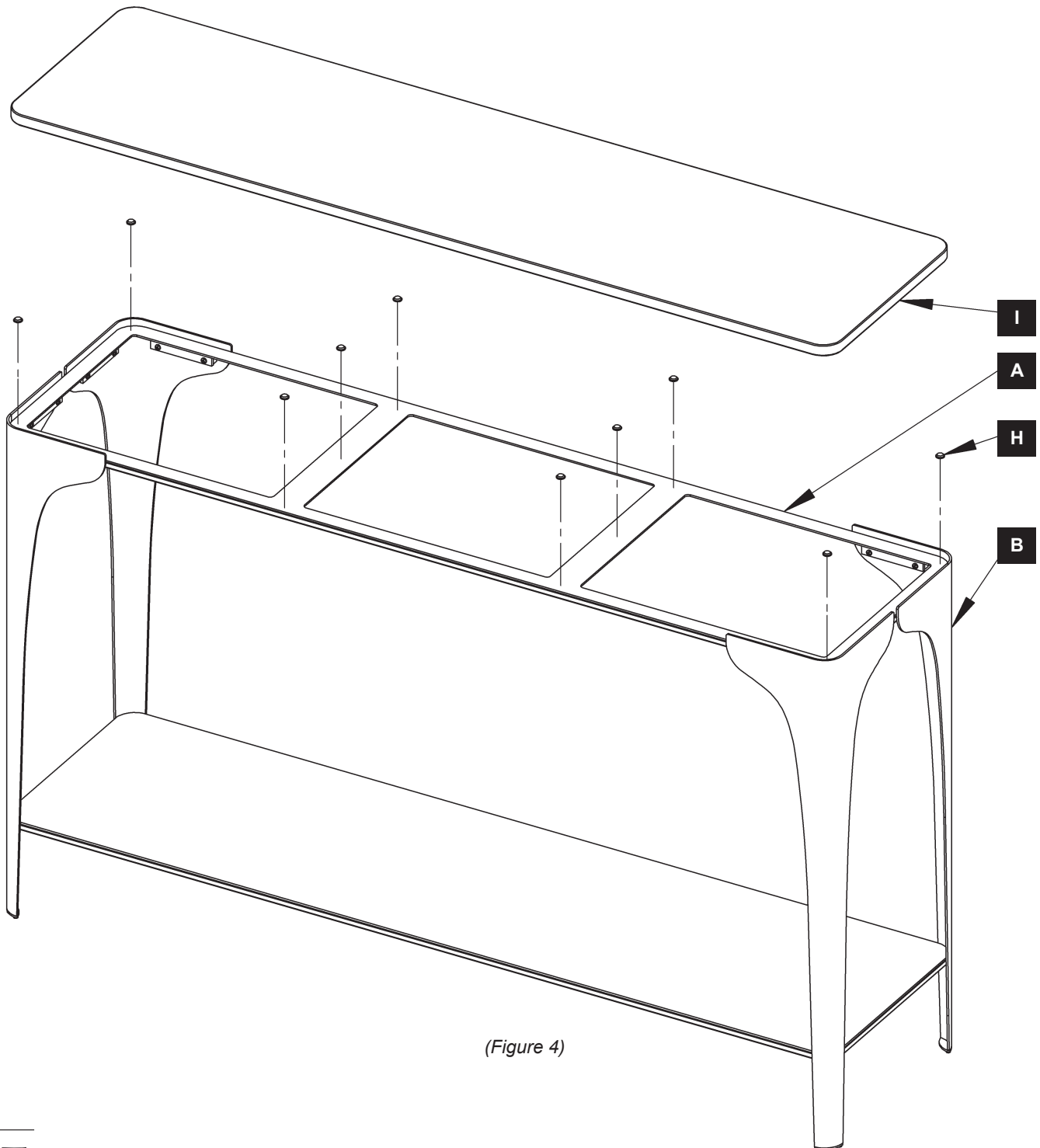


HUBBARDTON FORGE.

## Cove Console Table 750127

### To Install Marble Top (Figure 4)

1. Install rubber pads (H) on top table (A) surface as shown in Figure 4.
2. Carefully place marble (I) onto top of table. It should rest on rubber pads (H) and fit inside table legs (B).



(Figure 4)



Cove Console Table 750127

---

## Care Instructions

---

### Table Cleaning Instructions:

Use a dry soft cloth for dusting purposes, do not rub. Never scrub, use an abrasive, or any solvent-based cleaning products, as this could damage the finish. Wipe dry with soft cloth.

### Marble Care Instructions:

Preventative: Use coasters under all glasses, particularly those containing alcohol or citrus juices, and place hot dishes on trivets

Spills: Immediately blot spills with a paper towel. Flush the area with a mix of warm water and mild dishwashing soap. Rinse several times. Dry the area thoroughly with a soft cloth. Repeat as necessary.

\*Never use abrasive scrubbers or rough-woven cloths that could scratch marble. Do not use products containing lemon, vinegar, or other acids that will dull or etch marble surface. Stay away from scouring powders or abrasive creams and rust removers containing hydrofluoric acid; these will damage marble.

If you need further assistance, please contact the dealer from which you purchased this product.

We hope you enjoy your table!

**\* Hubbardton Forge will not be liable for injury or damage caused by improper use of this table.**



HUBBARDTON FORGE.