

CALAISTM

BY

minkaAire[®]
A Minka Group[®] Co.

U.S. PATENTS: D526,714; D527,094; D530,415; D532,896; D536,777

INSTRUCTION MANUAL WARRANTY CERTIFICATE

**This product is protected by the United States Federal and/or State Law including Patents, Trademarks, and /or Copyright Laws.
©2019 Minka Lighting Inc. Manual design and elements of manual design are protected by United States Federal and/or State
Law included Patents, Trademark, and / or Copyright Laws.**



Minka-Aire® warranty is for one (1) year from the date of purchase from an authorized Minka-Aire® dealer. This warranty is only valid to the original purchaser or user against all defects in material and workmanship (light bulbs excluded) for one (1) full year. Additionally, Minka-Aire® warrants the motor only for the lifetime of the Minka Aire ceiling fan (excluding wall controls and electrical components), to the original purchaser or user.

- * The warranty is voided with the use of any non- Minka-Aire® electrical devices, E.g., wall controls or electrical dimmer switches, etc...
- * The warranty is void once the original purchaser or user ceases to own the fan or the fan is moved from its original point of installation.
- * The warranty is void with the use of any hanger bracket (non-Minka Aire or non-fan specific) other than the hanger bracket supplied & installed with this specific fan.

Warranty Service Information

To obtain warranty service during the warranty period, the purchaser should return the fan with the sales receipt to the original place of purchase. The authorized Minka-Aire® dealer, at its sole discretion, will either repair or replace the fan after verifying the legitimacy of the warranty claim. Replacement is subject to availability of the same model. If the model is unavailable it will be replaced by one of equal value. This is a limited warranty; The original purchaser or user is responsible for the cost of removal and reinstallation of repaired or replacement product.

To obtain the name of the Minka-Aire® authorized dealer nearest you call the Minka-Aire® customer care department at 1-800-307-3267, or contact Minka-Aire® through www.minkagroup.net and select FAQ to answer any questions, or, if you require additional assistance, submit the the question form found there.

Date Purchased _____ Store Purchased _____ Model Number F544L Serial Number _____

CONTENTS

SAFETY FIRST.....	1	INSTALLING THE LIGHT KIT & GLASS SHADE.....	6
PACKAGE CONTENTS	2	OPERATING THE REMOTE CONTROL/WALL CONTROL....	7
HANGING THE FAN.....	3	CARE OF YOUR FAN	8
ELECTRICAL CONNECTIONS.....	4	TROUBLESHOOTING.....	9
ATTACHING THE BLADES.....	5	SPECIFICATIONS.....	10



1151W. Bradford Court, Corona CA 92882 For Customer Assistance Call: 1-800-307-3267



1

SAFETY FIRST

1. Before you begin installing the fan, shut power off at the circuit breaker of the fuse box.
2. Be cautious! Read all instructions and safety information before installing your new fan. Review accompanying assembly diagrams.
3. Make sure that all electrical connections comply with local codes, ordinances, or National Electrical Codes.
Hire a qualified electrician or consult a do-it-yourself wiring handbook if you are unfamiliar with installing electrical wiring.
4. Make sure the installation site you choose allows the fan blades to rotate without any obstructions. Allow a minimum clearance of 7 feet from the floor and 18 inches from the tip of the blades to the wall.
5. If you are mounting the fan to a ceiling fan outlet box, use a U.L. Listed metal octagonal outlet box marked Acceptable for Fan Support. Secure the box directly to the building structure. The outlet box and its support must be able to support the moving weight of the fan (at least 50 pounds) Do not use a plastic box.
6. Caution: To reduce the risk of injury use only the screws provided with the outlet box in conjunction with the lock washers provided with the fan.
7. If you are mounting the fan to a joist, make sure it is able to support the moving weight of the fan (at least 50 pounds).
8. After you install the fan, make sure that all mounting components are secured to prevent the fan from falling.
9. Do not insert anything into the fan blades while the fan is operating.
10. Turn the fan off and wait for the blades to stop completely before reversing fan direction.

NOTE:The important safeguards and instructions appearing in this manual are not meant to cover all possible conditions and situations that may occur. It must be understood that common sense, caution and care are factors which can not be built into this product. These factors must be supplied by the person (s) installing, caring for and operating the unit.

NOTE: READ AND SAVE ALL INSTRUCTIONS!

WARNING

TO REDUCE THE RISK OF FIRE, ELECTRIC SHOCK OR OTHER PERSONAL INJURY, MOUNT FAN ONLY TO A U.L. LISTED OUTLET BOX OR SUPPORTING SYSTEM MARKED ACCEPTABLE FOR FAN SUPPORT AND USE MOUNTING SCREWS PROVIDED WITH THE OUTLET BOX IN CONJUNCTION WITH THE LOCK WASHERS PROVIDED WITH THE FAN. MOST OUTLET BOXES COMMONLY USED FOR FAN SUPPORT OF LIGHTING FIXTURES ARE NOT ACCEPTABLE FOR FAN SUPPORT AND NEED TO BE REPLACED. CONSULT A QUALIFIED ELECTRICIAN IF IN DOUBT.

TO REDUCE THE RISK OF PERSONAL INJURY, tDO NOT BEND THE BLADE HOLDERS WHILE INSTALLING, BALANCING THE BLADES OR CLEANING THE FAN. DO NOT INSERT FOREIGN OBJECTS BETWEEN ROTATING FAN BLADES.

TO REDUCE THE RISK OF FIRE OR ELECTRONIC SHOCK, THIS FAN ONLY CAN USE CFR-3T SOLID-STATE SPEED CONTROL WITH TR110A WALL CONTROL ONLY.

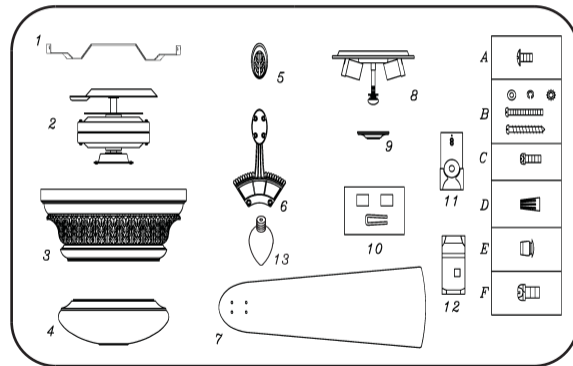
2

PACKAGE CONTENTS

1. Mounting bracket
2. Fan motor assembly
3. Fan housing
4. Glass
5. Medallion
6. Blade holder(5 pcs)
7. Fan blade(5 pcs)
8. Light Kit
9. Cap
10. Balancing kit
11. Hand Held Remote Transmitter with Wall Holster (includes 2

- mounting screws and A23, 12v battery)
12. Receiver pre-installed in fan motor.
13. 5W LED bulb (2pcs)
- A. Blade Attachment Hardware: 3/16"X8mm screws (21 pcs)
- B. Mounting Hardware : #8-32X38mm machine screws (2 pcs) #10X38mm wood screws (2 pcs)

- Spring washers (2 pcs)
- Star washers (2 pcs)
- Flat washers (2 pcs)
- C. Blade Holder Hardware: 1/4"X11mm screws (11 pcs)
- D. Wire Nuts (3 pcs)
- E. Plug (4 pcs)
- F. 1/4"X13mm screws (4 pcs)



HANGING THE FAN

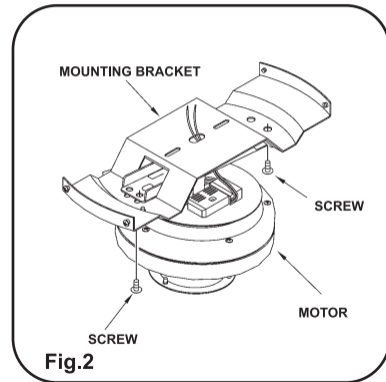
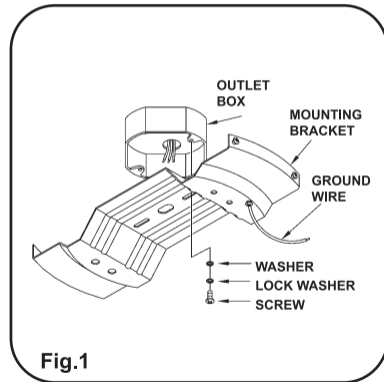
Tools Required: Phillips screw driver; slotted screw driver; step-ladder; wire cutters; electrical tape.

WARNING: All of the parts, hardware and components have been provided for your safety and the proper installation of your new ceiling fan. The use of other parts, hardware or components not supplied by Minka Aire® with the fan will void the Minka Aire® Warranty.

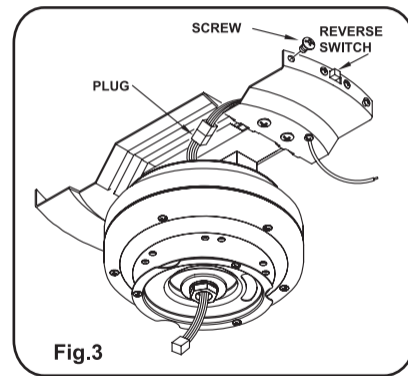
REMEMBER to turn off the power. Follow the steps below to hang your fan properly;

Step 1. Attach the mounting bracket to the outlet box with 2 screws and washers provided. Make sure the bracket is tight and secured (Fig. 1)

Step 2. Insert the bracket from the motor into the slot of the mounting bracket and install the bracket with 4 screws provided. Make sure the bracket is tight and secured (Figs. 2)



Step 3. Connect the plug from motor and reverse switch. (Fig.3)



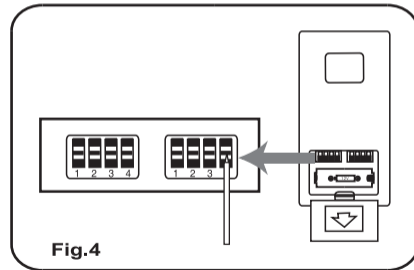
ELECTRICAL CONNECTIONS

WARNING: To avoid possible electrical shock be sure electricity is turned off at the min fuse or breaker box before wiring.

Note: The universal hand held remote control System is equipped with learning frequency function which has 256 code combinations to prevent potential interference from other remote units. The frequency on your Receiver and Transmitter units have been preset at the factory. (Fig.4). No frequency change is necessary, should you desire to install another fan within the same home or area with a separate frequency code please see the "frequency interference" troubleshooting section of this instruction manual to learn how to change the frequency.

Note: The receiver has been attached the motor housing and wired for ease of installation.

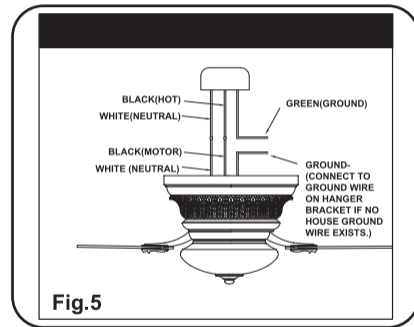
Note: Fan must be installed from a maximum distance of 40 feet from the transmitting unit for proper signal transmission between the transmitting unit and the fan's receiving unit.



Step 1. Receiver to House supply Wires Electrical Connections: Connect the WHITE wire (Neutral) from the outlet box to the WHITE wire marked "AC in N" from the receiver. Connect the BLACK wire (Hot) from the outlet box to the BLACK wire marked "AC in L" from the receiver. Secure all wire connections with the plastic wire nuts provided. (Fig.5)

Step 2. Connect the fans ground wire (green) located on the mounting bracket to the household ground wire. Secure wire connection with the plastic wire nut provided. (Fig.5)

After all splices are made, check to make sure there are no loose strands. As an additional precaution we suggest to secure the plastic wire connectors to the wires with electrical tape.



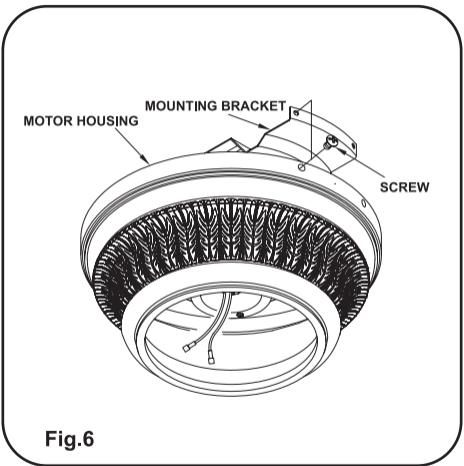


Fig.6

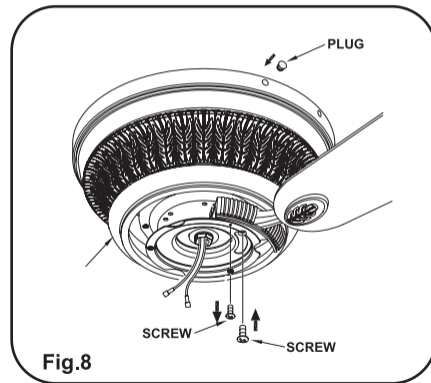
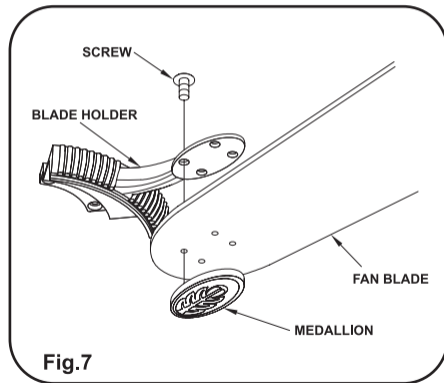
5

ATTACHING THE BLADES

Step 1. Attach the fan blade to the medallion & the blade bracket using the screws provided. Tighten screws securely. Repeat for remaining blades. (Fig. 7)

Step 2. Align holes in blade bracket and motor and secure with proper screws. Repeat process with the other blade brackets. (Fig. 8)

Step 3. Use the 4 plugs provided to cover the motor housing screw holes. (Fig. 8)



INSTALLING THE LIGHT KIT & GLASS SHADE

Use light bulb in accordance with the fan's specifications. **DO NOT EXCEED THE MAXIMUM WATTAGE RATING.**

Step 1. Remove 1 of the 3 screws from the lamp holder plate and loosen the other 2 (do not remove). (Fig. 9)

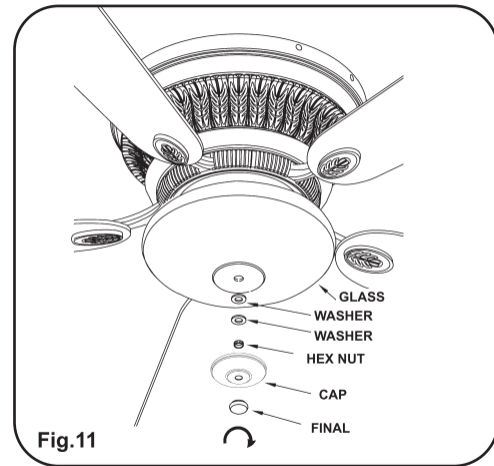
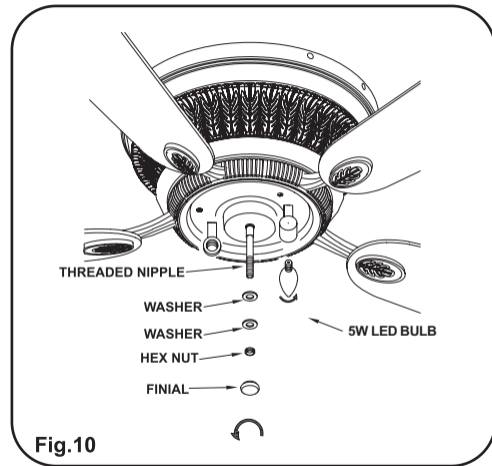
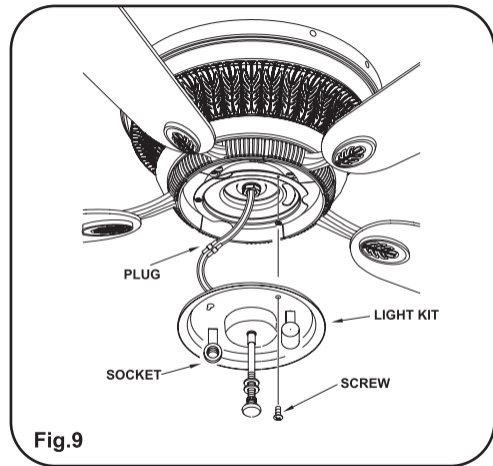
Step 2. Snap the connector plugs from the fan and light kit. Place the light kit plate over the two screws previously loosened (via the two key holes) and turn until it locks into place. Install the 3rd screw previously removed and securely tighten all three screws. (Fig. 9)

Step 3. Install 2-5W LED bulbs(included).(Fig.10)

Step 4. Remove the finial, hex nut and washer from the threaded

nipple. (Fig. 10).

Step 5. Install the glass shade and secure with the the cap & the washers, nut and finial previously removed. (Fig. 11)



OPERATING THE REMOTE CONTROL/WALL CONTROL

Remote Control fans only: Install the A23, 12v battery (included) . To prevent damage to transmitter remove the battery if not used for long periods of time.

Restore Power to Ceiling Fan

A. ●●● Buttons:

These buttons are used to set the fan speeds as follows;

- = Low Speed
- = Medium Speed
- = High Speed

B. ■ Button:

This button turns the fan off.

C. ⌘ Button:

These buttons turn the light ON or OFF and also

control the brightness settings of the light. The following instructions apply to ceiling fans that feature a DOWN light (⌘ button) only or ceiling fans that feature a DOWN light (⌘ button) that are controlled independent of each other;

Press and release the button for the desired light to turn the light ON or OFF. Press and hold the button to set the desired light brightness. The light will cycle between bright and dim settings as long as the button is pressed.

The light key has an automatic auto-resume feature that allows the light to remain at the same

brightness as the last time it was turned off.

D. OFF-ON Slide Button (Wall Control Fans Only) This button turns the power Off and On to the Fan and Light(s).

E. ⌘ Button: (Full Function Remote Control Units Only) This button is used to change the direction of the rotation of the blades; forward for warm weather or reverse for warm weather.

NOTE: If your Remote Control or Wall Control does not have a 'REV' button, Please look for a slide reverse switch on the motor housing.

Speed settings for warm or cold weather depend on factors such as room size, ceiling height and number of fans.

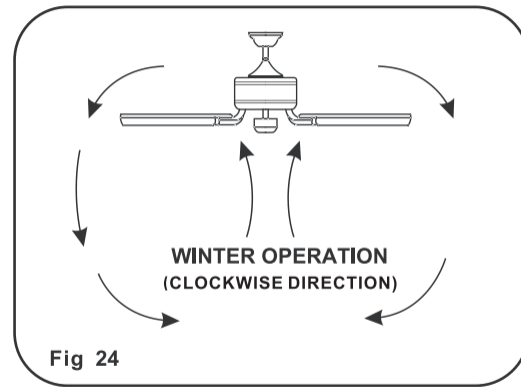
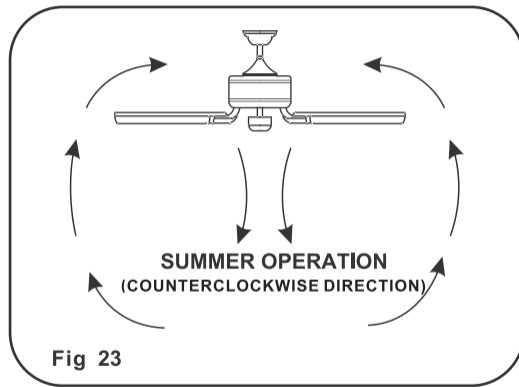
NOTE: To change the direction of the rotation of the blades the fan must be in operation mode.

Warm Weather (forward)

A **DOWNWARD** airflow creates a cooling effect as shown in Figure 23. This allows you to set your air conditioner on a warmer setting without affecting your comfort.

Cool Weather (Reverse)

An **UPWARD** airflow moves warmer air off the ceiling area as shown in Figure 24. This allows you to set your heating unit on a cooler setting without affecting your comfort.



CARE OF YOUR FAN

Here are some suggestions to help you maintain your fan.

1. Because of the fan's natural movement, some connections may become loose. Check the support connections, brackets, and blade attachments twice a year. Make sure they are secure. (It is not necessary to remove fan from ceiling.)
2. Clean your fan periodically to help maintain its new appearance over the years. Do not use water when cleaning. This could damage the motor, or the wood, or possibly cause an electrical shock.
3. Use only a soft brush or lint-free cloth to avoid scratching the finish. The plating is sealed with a lacquer to minimize discoloration or tarnishing.
4. You can apply a light coat of furniture polish to the wood for

additional protection and enhanced beauty. Cover small scratches with a light application of shoe polish.

5. There is no need to oil your fan. The motor has permanently lubricated bearings.

6. All glass should be cleaned using lukewarm soapy water and a soft cloth or sponge. **DO NOT IMMERSE GLASS IN HOT WATER. DO NOT PUT GLASS INTO AN AUTOMATIC DISHWASHER.**

WARNING
MAKE SURE THE POWER IS OFF AT THE ELECTRICAL PANEL BOX BEFORE YOU ATTEMPT ANY REPAIRS. REFER TO THE SECTION, "MAKING ELECTRICAL CONNECTIONS".

SYMPTOM

Fan will not start

SOLUTION

1. Check to make sure the wall switch is turned on.
2. Check circuit fuses or breakers.
3. **Cantion!** Make sure the power is turned off before performing the following steps.
4. Remove canopy and check wire connections.
5. Check wall control transmitter connections (if applicable).
6. **Note:** Fan must be installed from a maximum distance of 40 feet from the transmitting unit for proper signal transmission between the transmitting unit and the fan's receiving unit.

SYMPTOM

Fan/Light turn on and off unexpectedly

SOLUTION

1. This is caused by interference. Please see "Frequency interference" for steps to change the frequency.

SYMPTOM

Fan will not start

SOLUTION

1. Allow a 24-hour "break in" period.
Most noises associated with a new fan will go away during this time.
2. Make sure all blade attachment screws are tight.
3. Make sure outlet box is secured to building structure, if necessary use the wood screws provided to further secure outlet box to joist.
4. Make sure hanger bracket is secure to the outlet box, screws are tight.

TROUBLESHOOTING

SYMPTOM

Fan Wobble

SOLUTION

1. **NOTE:** All blade sets are grouped by weight. Because wood and plastic blades vary in density, the fan may wobble even though blades are matched.
2. Make sure all blade attachment screws are tight.
3. Make sure outlet box is secured to building structure, if necessary use the wood screws provided to further secure outlet box to joist.
4. Make sure hanger bracket is secure to the outlet box, screws are tight.
5. Use the balancing kit provided if the wobble is excessive (follow instructions included with balancing kit)

SYMPTOM

Frequency interference

SOLUTION

1. Turn the power off to your ceiling fan.
2. Please use a small size tool to change the frequency setting on the control system.
3. Return power to the unit Note: After the AC power is on, do not press any other button on the transmitter before pressing the "Stop" button, doing so will cause the procedure to fail.
4. Within 60 seconds of turning the Fan's AC power ON. Press the transmitter's "Stop" button for 10 seconds.
5. Once the receiver has detected the set frequency, the down light of your fan if applicable will blink twice. (there is no indication if your fan is not equipped with a light).
6. The receiver has now learn the frequency which has been selected on the transmitter. After completing the steps above, you should be able to operate the ceiling fan and light. If the fan is not responding to the transmitter, please turn the power off to the receiver, and repeat the process.

SPECIFICATIONS

These are typical readings. Your actual fan may vary. They do not include amps and wattage used by the light (s).

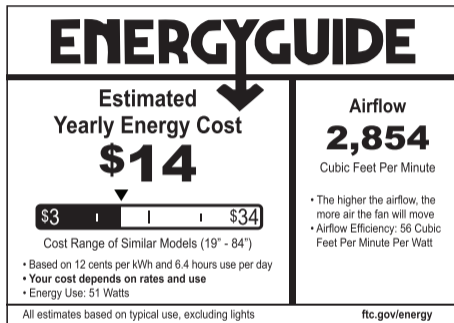
For any additional information about your Minka Aire® Ceiling fan, please write to:

Fan Size	Speed	Volts	Amps	Watts	RPM	N.W.	G.W.	C.F.
52"	Low	120	0.28	13.6	64	12.15 kgs	14.46 kgs	2.75'
	Extra High	120	0.685	81	169			

minkaAire[®]
A Minka Group[®] Co.

1151 W. Bradford Court, Corona, CA 92882 • For Customer Assistance Call: 1-800-307-3267

PERFORMANCE AND ENERGY INFORMATION



FAN SPEED	AIRFLOW (CFM)*	POWER USE (watts)	AIRFLOW EFFICIENCY (CFM/watt)
Low	1345	13.6	99
High	3956	81.2	49

Ceiling fan airflow is measured in cubic feet per minute (CFM). Power use is measured in watts. To maximize energy savings:

- Choose a fan with high airflow efficiency (CFM/watt).
- Use ENERGY STAR®-labeled lighting in your fan.
- Remember to switch off your fan when you leave the room.

* Measured according to the ENERGY STAR® approved Solid State test method

minkaAire
A Minka Group® Co.

For any additional information about your Minka Aire® Ceiling fan, please write to:

1151 W. Bradford Court, Corona, CA 92882 • For Customer Assistance Call: 1-800-307-3267

MKA20031101

← English Verison