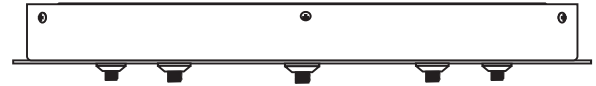


Installation Instructions for **16" Round 5, 7, & 9 Port Fast Jack Canopy Only**

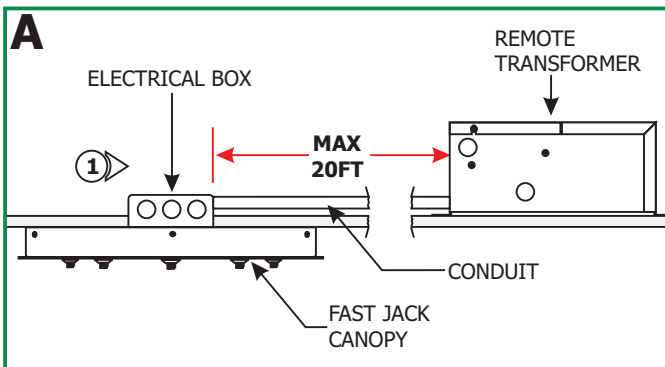
IMPORTANT INFORMATION

- This product is ETL listed for indoor dry locations.

SAVE THESE INSTRUCTIONS!

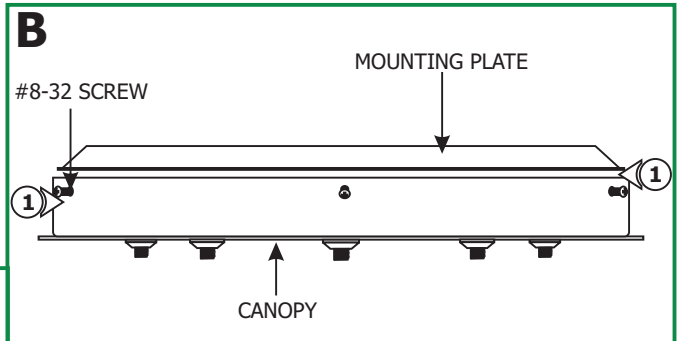


Running the Power from a Remote Transformer to the Fast Jack Canopy

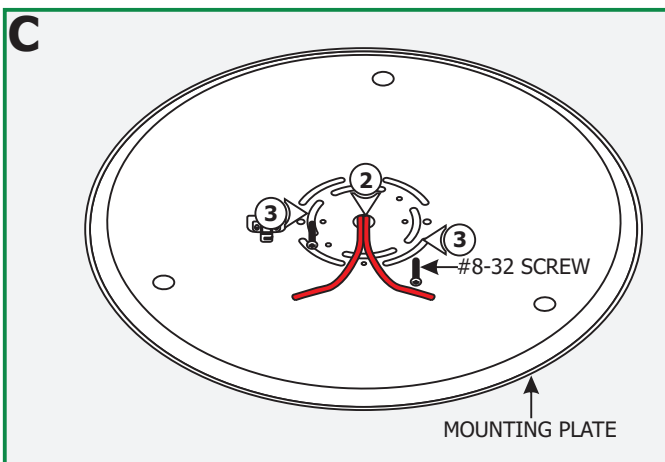


1: Run the low voltage wires from a remote transformer to electrical box where Fast Jack canopy is going to be installed. It is recommended to install the remote transformer near the electrical box to avoid voltage drop. Refer to the instructions provided with remote transformer for low voltage wire size chart. Refer to the low voltage wire size chart provided with the remote transformer.

Install the Canopy

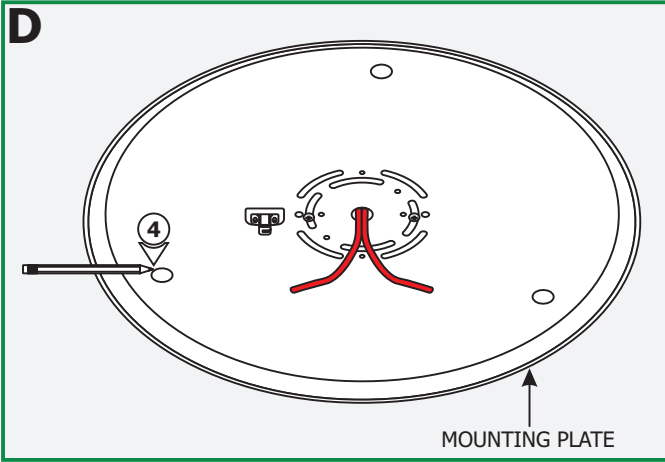


1: Loosen and remove the six #8-32 screws around the canopy to remove the mounting plate.



2: Feed the low voltage coming from the remote transformer through mounting plate center hole.

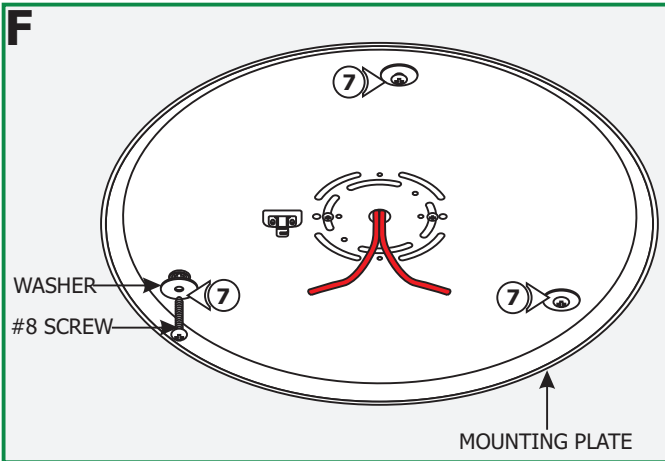
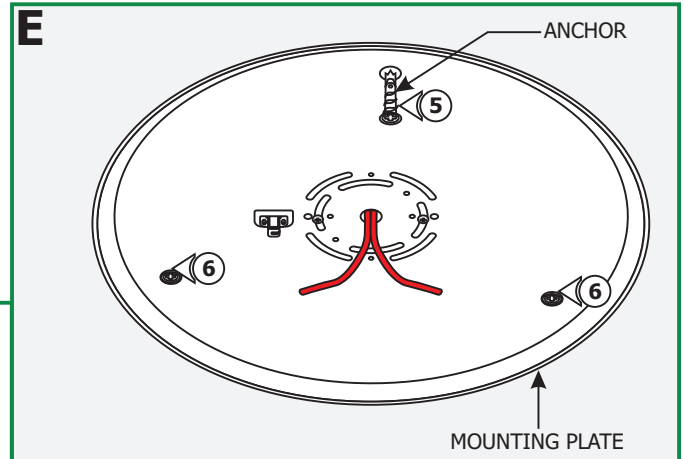
3: Align the mounting plate slots with the electrical box holes and secure it to the electrical box holes with the provided two #8-32 screws.



4: Mark the three mounting plate holes on the ceiling.

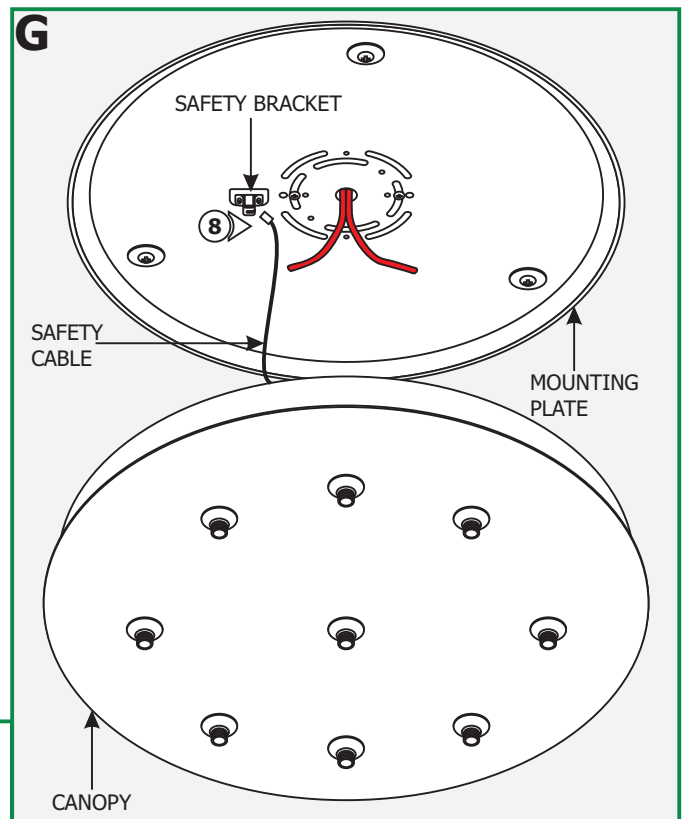
5: Tap the anchors through the mounting plate holes onto the marked point up to the threaded portion with a hammer.

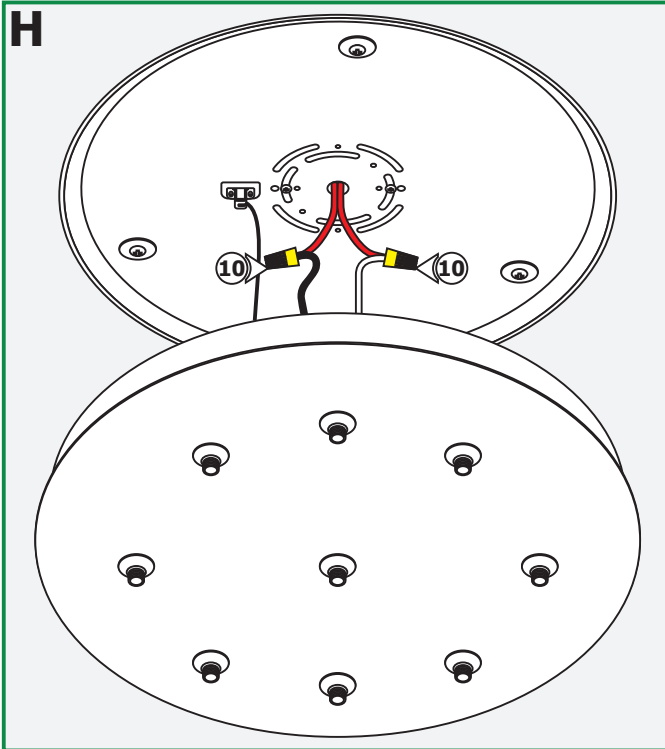
6: Screw in the threaded portion of the anchors with a Phillips screwdriver.



7: Secure the mounting plate to the anchors with the provided #8 screws and washers.

8: Insert one end of the safety cable into the safety bracket of mounting plate and the other end into the canopy safety bracket.



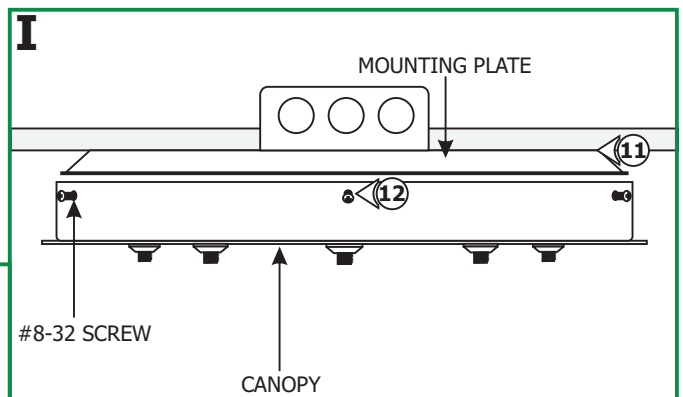


9: Make sure that the mounting plate is grounded in accordance with local electrical codes.

10: Connect each canopy wire to one low voltage transformer wire with a wire nut.

11: Place all wires and wire nut connections inside the canopy.

12: Place the canopy onto the mounting plate and tighten the six #8-32 screws.



CAUTION: Risk of Fire: The total load of the Fast Jack canopy ports should not exceed the remote transformer rated capacity.

13: Use fingers to tighten each Fast Jack fixture connector into one Fast Jack canopy port.

