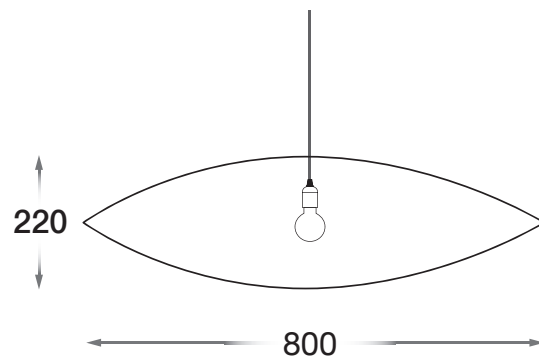
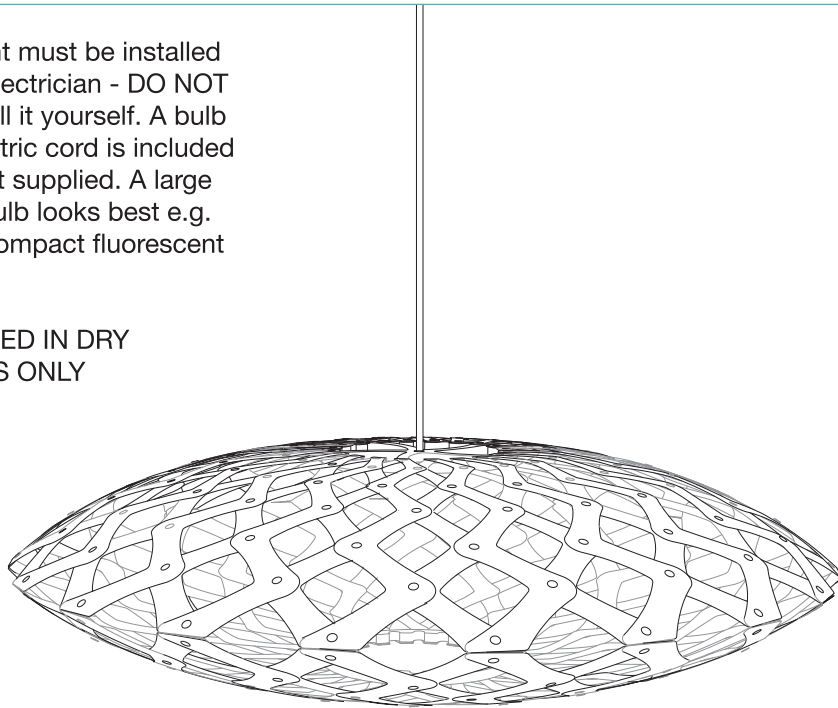


**10** Fitting of the bulb holder and cord is most visually striking if the bulb is centred within the light as shown. Once the bulb holder is sitting where desired, thread the cord grip up tightly.



**11** The light must be installed by a qualified Electrician - DO NOT attempt to install it yourself. A bulb holder with electric cord is included but a bulb is not supplied. A large frosted globe bulb looks best e.g. 23 watt (max) compact fluorescent bulb (eco bulb).

TO BE INSTALLED IN DRY INDOOR AREAS ONLY



We are continually doing all we can to reduce our environmental footprint. We commissioned a Life Cycle Analysis of our products (with assistance from Landcare Research) which revealed that freight was a 'hotspot'. Our kitset Coral light was setting a good example with minimal volume for maximum effect. Therefore, we re-designed four of our larger lights so they could be freighted as kitset and easily assembled at home or destination. This is the Seed System.

Find us on facebook to follow regular news and events



Printed on 100% recycled chlorine free FSC certified paper

## FLAX ASSEMBLY

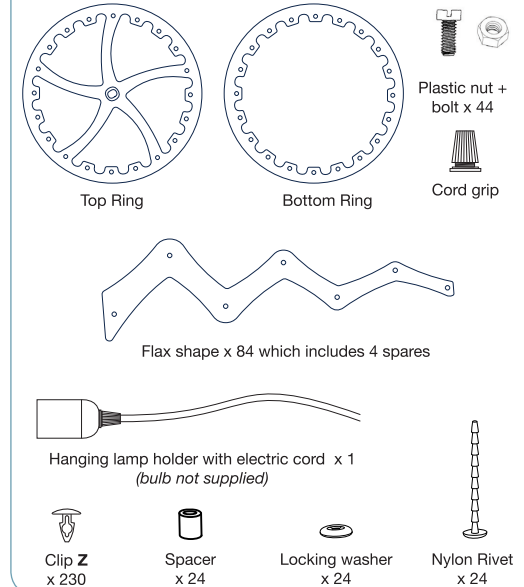


David Trubridge

[www.davidtrubridge.com](http://www.davidtrubridge.com)

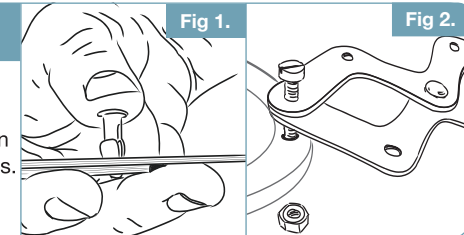
Thank you for buying a SEED SYSTEM lightshade. On average our kitsets are 1/40th of the volume of the same assembled light, so you have helped protect the environment by reducing the number of trucks on the road.

## COMPONENTS

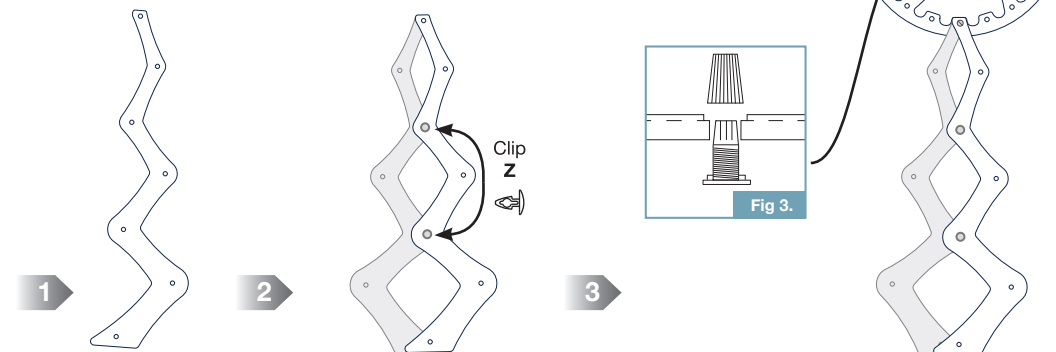


## BEFORE YOU BEGIN

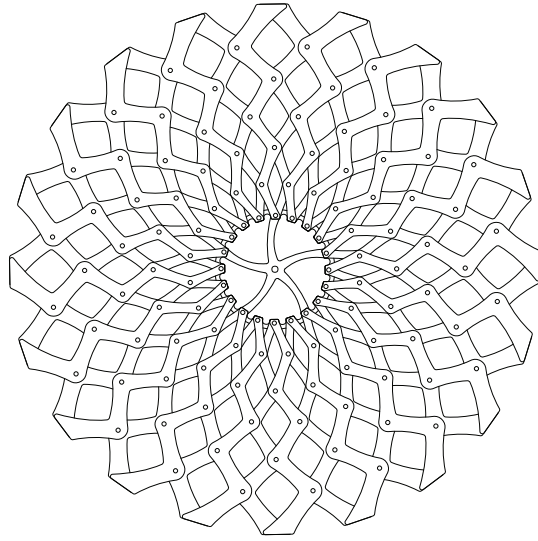
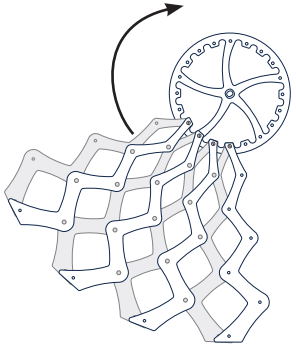
Take out the 4 spares and set aside. Take note of the helpful diagrams to the right showing the importance of supporting the rear of the hole when inserting clips, and how to connect shapes to the rings. A pair of gloves is recommended to prevent splinters. Assembly takes approx: 2 hours



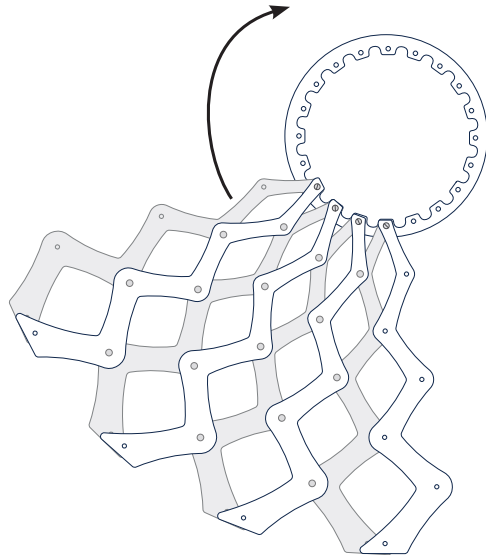
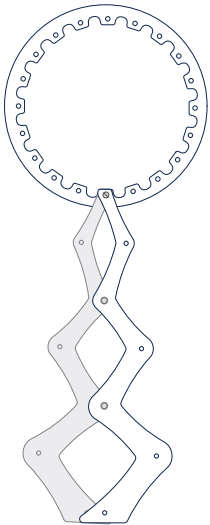
- Step 1** - Take one shape and orientate it as shown.
- Step 2** - Flip a second shape and clip this underneath the first shape.
- Support the rear of the shape as shown in Fig 1.
- Step 3** - Take one pair of shapes and attach them onto the top ring with the nylon nuts & bolts provided as shown in Fig 2.
- Ensure the recess in the top is facing towards the ceiling. Fig 3.



4 Work in a clockwise direction. Attach a second pair of shapes to the top in the same way. This should create an over/under, over/under pattern with the four shapes. Clip the sets together with clip Z as you attach them.



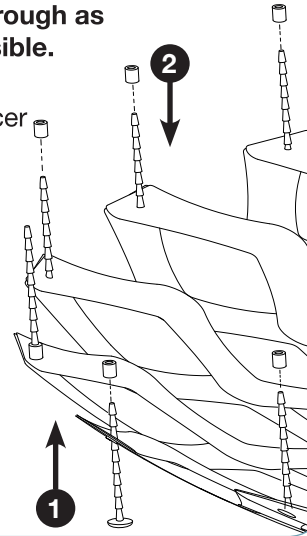
5 Repeat this process on the bottom ring. This will make the bottom half of the light.



6

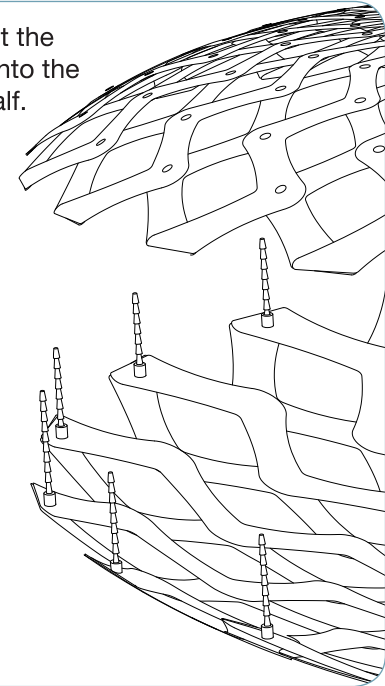
1 Thread the nylon rivets up through the bottom half. Push them through as firmly as possible.

2 Put a spacer on each of the rivets.



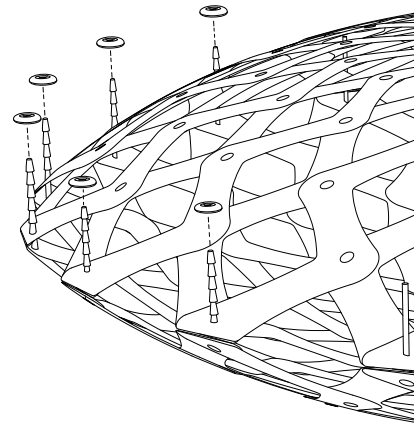
7

Fit the top half onto the bottom half.



8

Once the top is firmly located, secure with a locking washer.



9

Once all locking washers are secured, carefully snip off excess with a pair of scissors or sidecutters.

