

Project Name:	Type:
Part Number:	Date:

# THINFIT 4" COMMERCIAL DOWNLIGHT

## SPECIFICATION FEATURES

- **Mechanical** - Shallow die cast aluminum heat sink with a low profile external driver is ideal for new or remodel construction. Two rugged spring clips allow for both easy installation and field accessibility below the ceiling.
- **Electrical** - 120V voltage, 50/60Hz external driver, dims to 10% using most forward and reverse phase dimmers. Plenum rated cable with quick connect for easy installation. Go to [www.greencreative.com](http://www.greencreative.com) for complete dimmer compatibility list.
- **Optical** - Edge lighting technology featuring a PMMA light guide plate and smooth polycarbonate lens ensures an even light emitting surface. Available in 2700K, 3000K and 4000K with a minimum of 90 CRI.
- **Thermal** - Die cast aluminum heat sink with it's edge lighting design maximizes thermal dissipation. L70 rated lifetime of 50,000 hours. Fixture operating temperature: -4°F to 95°F (-25°C to 35°C)
- **Compliance and warranty** - ETL Listed for wet location. Certified air-tight per ASTM 283-04, IC rated for direct contact with insulation. 5 year parts warranty for complete fixture.



062923



## BENEFITS

- Quick and easy installation with spring action clip
- External driver with quick connector for easy wiring
- Suitable for shallow ceiling applications
- Install almost everywhere with Wet Location, IC and Air-tight ratings
- Edge lighting technology for gentle and smooth diffusion

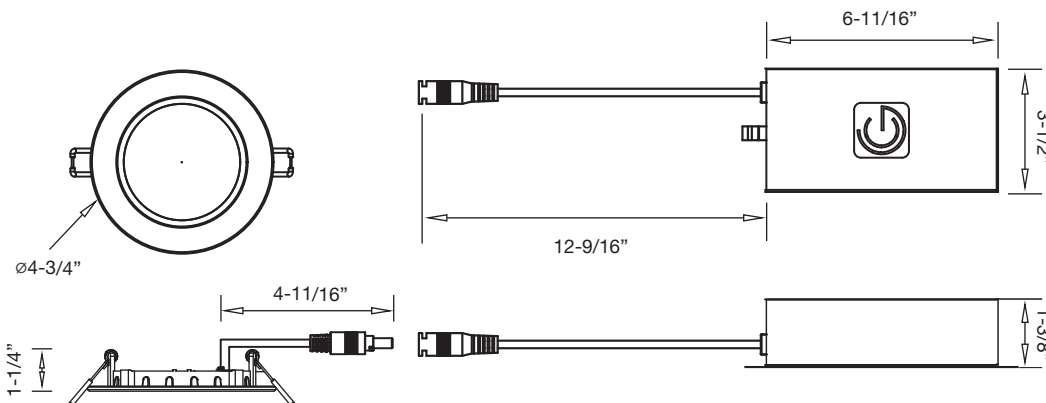
## APPLICATIONS

- Commercial
- Residential
- Educational
- Hospitality
- Retail

## ORDERING INFORMATION

Series	Size	CRI	CCT	Driver
<input checked="" type="checkbox"/> <b>10NCDL</b> New Construction Downlight 10W	<input checked="" type="checkbox"/> <b>R4DIM</b> 4"	<input checked="" type="checkbox"/> <b>9</b> CRI 90	<input type="checkbox"/> <b>27</b> 2700K <input type="checkbox"/> <b>30</b> 3000K <input type="checkbox"/> <b>40</b> 4000K	<input checked="" type="checkbox"/> <b>EXT</b> 120V - Line voltage dimming

## LINE DRAWINGS



Ceiling Cutout	
Minimum	Maximum
Ø4-1/16"	Ø4-3/8"



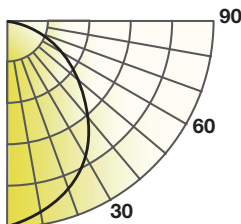
# THINFIT 4" COMMERCIAL DOWNLIGHT

## TECHNICAL INFORMATION

Dimming	Input Voltage	Input Frequency	Input Current	Input Power	THD Power	Power Factor
Forward or Reverse Phase	120V	50 / 60Hz	0.08A	10W	<20%	>0.9

## PHOTOMETRY

10NCDLR4DIM/930/EXT



Lumens: 736 lm  
 Power: 10 W  
 Efficacy: 76 lm/W  
 CRI: 90+  
 Spacing Criteria: 1.25  
 Beam Angle: 114°

Candlepower Distribution	
Angle (°)	Average (cd)
0	254
5	253
15	244
25	226
35	200
45	168
55	132
65	93
75	49
85	8
90	0

Initial Footcandles		
Height (ft)	Fc	Diameter (ft)
8	4	25
9	3	28
10	3	31
12	2	37
15	1	46

Zonal Lumen Summary		
Zone	Lumens	%Fixture
0-30	197	27
0-40	323	44
0-60	575	78
0-90	736	100

Coefficient		
2700K	3000K	4000K
0.98	1.00	1.12

## PERFORMANCE

10NCDLR4DIM/9xx/EXT

CCT	2700K	3000K	4000K
Lumens	720	736	826
LPW	71	84	83

## ORDERING GUIDE

Product	Model
98104	10NCDLR4DIM/927/EXT
98105	10NCDLR4DIM/930/EXT
98106	10NCDLR4DIM/940/EXT



# THINFIT 4" COMMERCIAL DOWNLIGHT

ACCESSORY ORDERING INFORMATION				
Product	Model	Description	Pictures	Dimensions
98280	NCDL46RPLATE	4" & 6" THINFIT EXT Series New Construction Plate for Stud/Joist Mounting		<p>A: <math>\varnothing 4-5/8"</math>            B: <math>\varnothing 4-3/16"</math>            C: <math>\varnothing 6-7/16"</math>            D: <math>\varnothing 6"</math></p>
98501	NCPLATE/T4689	New Construction or Remodel Plate for T-Grid Ceilings		<p>A: <math>\varnothing 4-5/16"</math>            B: <math>\varnothing 6-5/16"</math>            C: <math>\varnothing 8-1/16"</math>            D: <math>\varnothing 9"</math></p>
98236	NCDLCON6	THINFIT EXT 120V - 6 foot extension cable		<p>6'</p>
98237	NCDLCON20	THINFIT EXT 120V - 20 foot extension cable		<p>20'</p>
97847	DLNC4GOOF/R	4" THINFIT EXT Series GOOF RING		<p><math>\varnothing 6-1/16"</math>  <math>\varnothing 4-1/4"</math></p>
98345	NCDLR4TRIMBL	4" THINFIT EXT Series Black Trim		<p><math>\varnothing 4-3/4"</math>  <math>\varnothing 2-15/16"</math></p>
98346	NCDLR4TRIMBN	4" THINFIT EXT Series Brushed Nickel Trim		<p><math>\varnothing 4-3/4"</math>  <math>\varnothing 2-15/16"</math></p>
98347	NCDLR4TRIMBZ	4" THINFIT EXT Series Bronze Trim		<p><math>\varnothing 4-3/4"</math>  <math>\varnothing 2-15/16"</math></p>
58012	35EMINVERTER	35W Emergency Inverter (Field Installation)		<p>17-3/4"            2-3/4"</p>
58013	35EMINVERTER/CEC	California Title 20 Compliant 35W Emergency Inverter (Field Installation)		<p>17-3/4"            2-3/4"</p>
98003	23EMDRIVER	California Title 20 Compliant 23W Emergency LED Driver (Field Installation)		<p>10-7/16"            2-3/16"            24-3/8"            24-3/8"            2-1/4"            10-7/16"</p>

Note: All rights reserved. All sizes and specifications are subject to change at any time without notice.