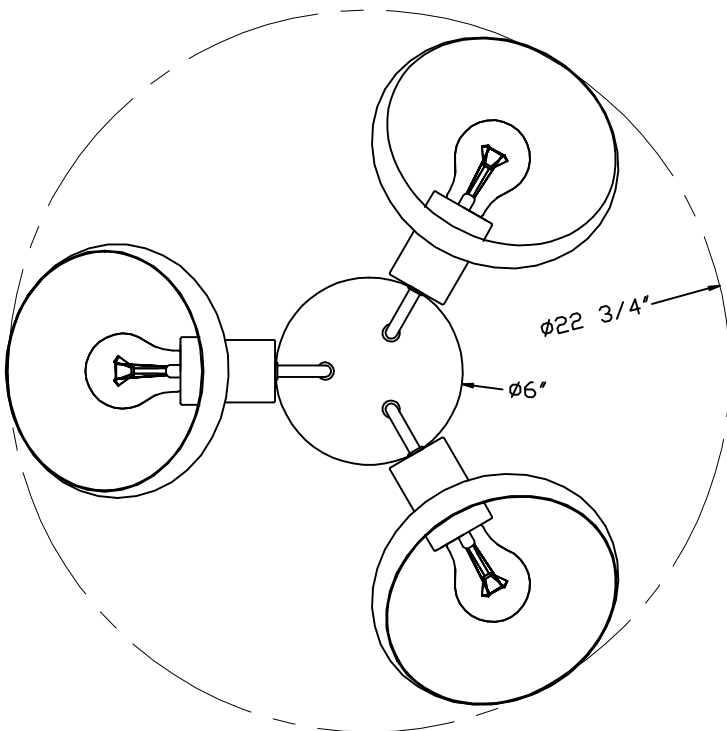


CRYSTORAMA

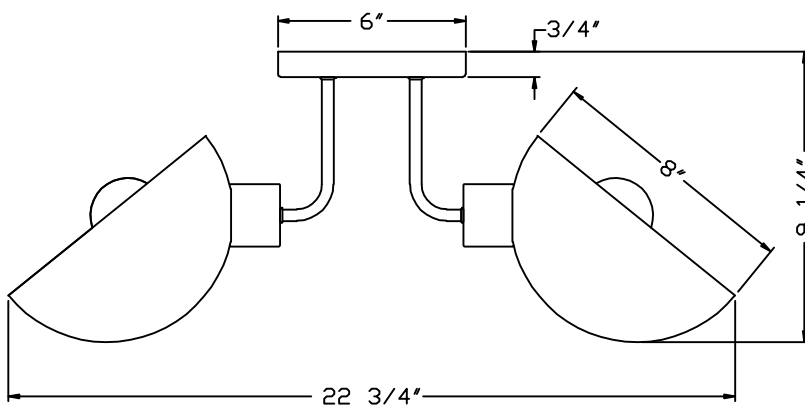
LIGHTING THE WAY FOR SIXTY YEARS

ASSEMBLY INSTRUCTION MODEL# GIG-810-BK-AG

FRONT VIEW



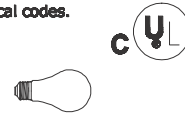
SIDE VIEW



Each metal shade rotates allowing various positions



All electrical components must be installed by a licensed electrician in accordance with the National Electric Code and the appropriate local electrical codes.



You will need 3- Medium Base Bulb
60 Watts Recommended 100 Watts Max.
USE LED BULBS FOR EXTENDED USE
THE FIXTURE IS DAMP RATED

How to install

1. Install the mounting plate to the outlet box using two outlet box screws.
2. Install canopy onto the mounting plate, and secure with the screws.
3. Install the metal shade onto the socket cover and secure with the socket ring.
4. Install the bulb(not included) into socket.

WARNING: This product can expose you to Lead which is known to the state of California to cause cancer and/or birth defects or reproductive harm. For more information go to www.P65Warnings.ca.gov

CRYSTORAMA

LIGHTING THE WAY FOR SIXTY YEARS

ASSEMBLY INSTRUCTION MODEL# GIG-810-BK-AG

Part Number

Part Numbers

- A. (1)-Mounting hardware
- B. (1)-Canopy W6"xH3/4"(XSU810BKAGCAN6IN)
- C. (2)-Screw
- D. (3)-Socket(AG)
- E. (3)Socket ring 2-1/4"(XSU810RING)
- F. (3)-Metal shade(WH)W8"(XSU810MSHADE8IN)

