

**SAFETY INFORMATION**

Please read and understand this entire manual before attempting to assemble, install or operate the product.

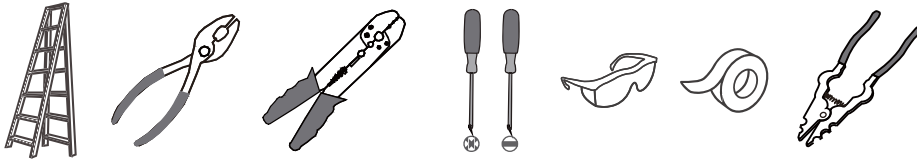
**WARNING**

- RISK OF ELECTRIC SHOCK - Before beginning installation, turn off electricity at the circuit breaker box or the main fuse box.
- RISK OF FIRE - Use bulbs specified by the markings and/or labels on the fixture.
- Use ONLY LED bulbs in this fixture. Incandescent and halogen lamps may cause severe thermal damage.

**CAUTION**

- For your safety, read instructions completely before beginning installation.
- If in doubt about electrical installation, consult a licensed electrician.
- Turn off electricity to fixture before replacing the bulb(s).

**TOOLS REQUIRED**

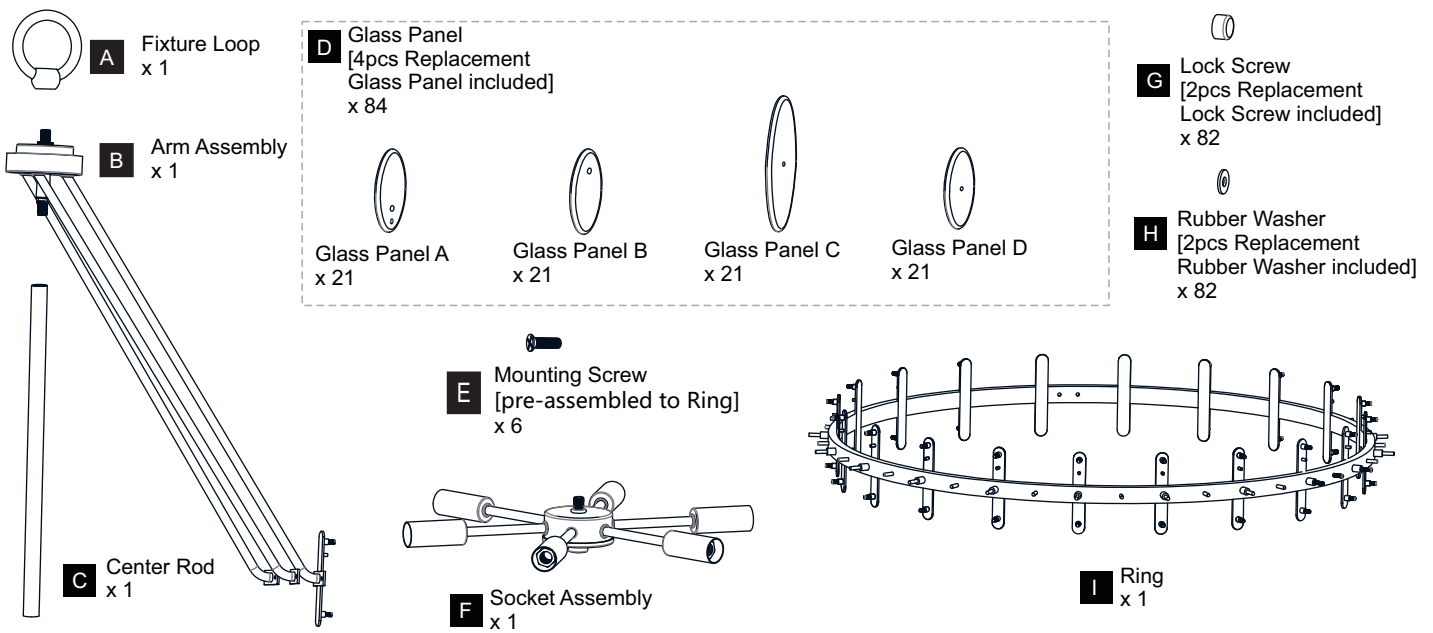


**CARE AND MAINTENANCE**

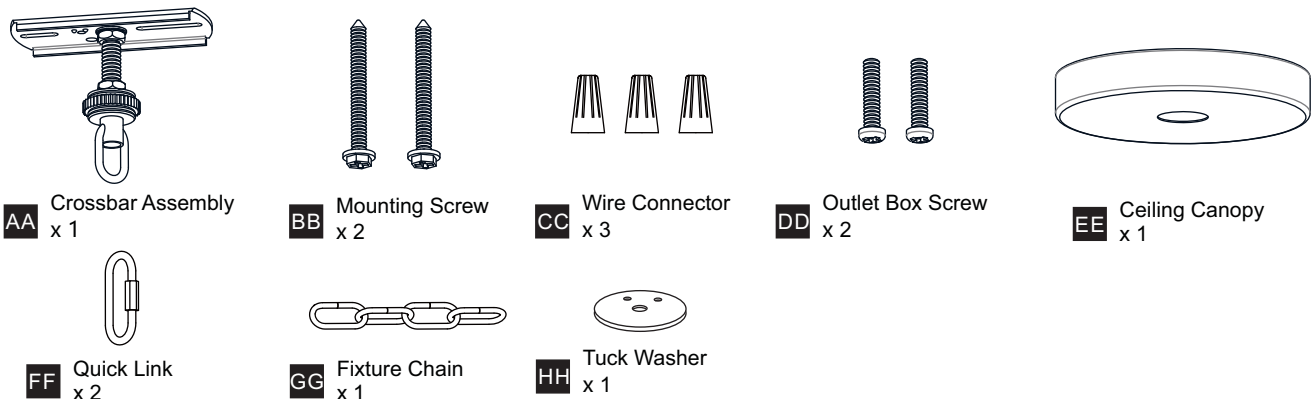
- Wipe clean using soft, dry cloth or static duster. Always avoid using harsh chemicals and abrasives to clean fixture as they may damage the finish.

If you need further assistance call Quoizel Customer Care at 1-800-645-3184 (9:00am - 5:00pm EST), or visit us on-line at [www.quoise.com](http://www.quoise.com).

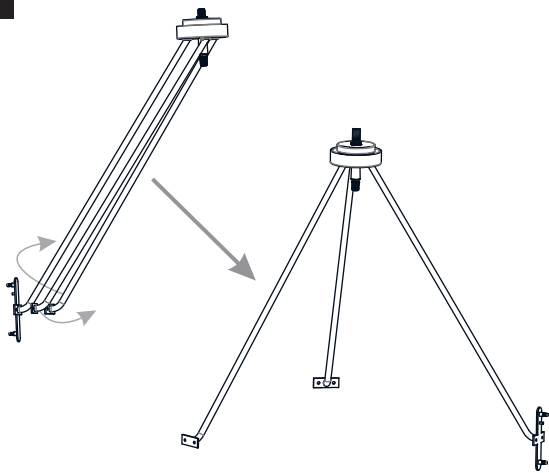
**PACKAGE CONTENTS**



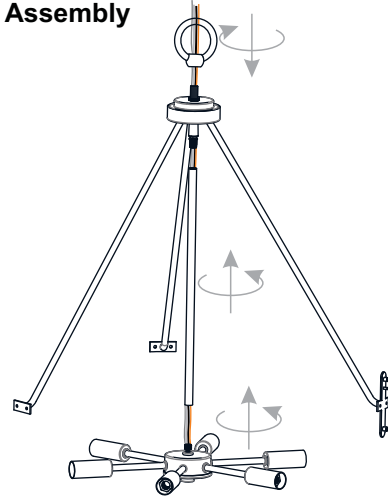
**MOUNTING HARDWARE**



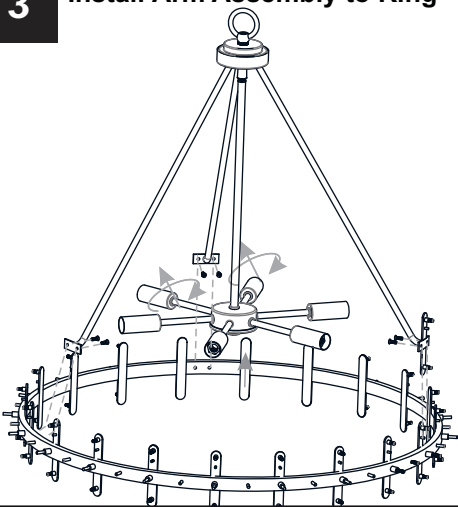
**1** Unfold Side Arms



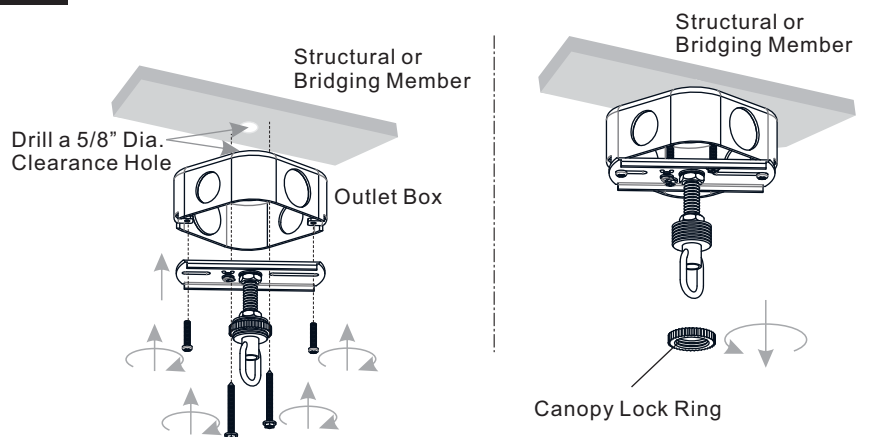
**2** Install Fixture Loop and Socket Assembly to Arm Assembly



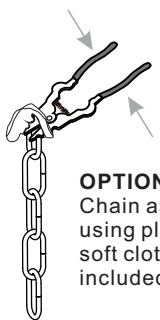
**3** Install Arm Assembly to Ring



**4** Install Crossbar Assembly

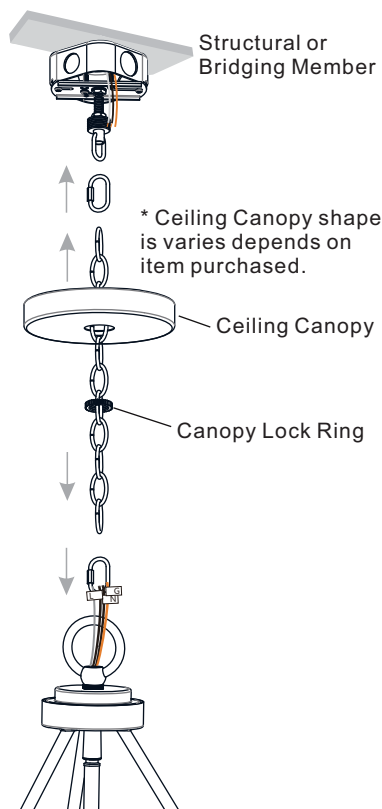


**5** Install Fixture Chain



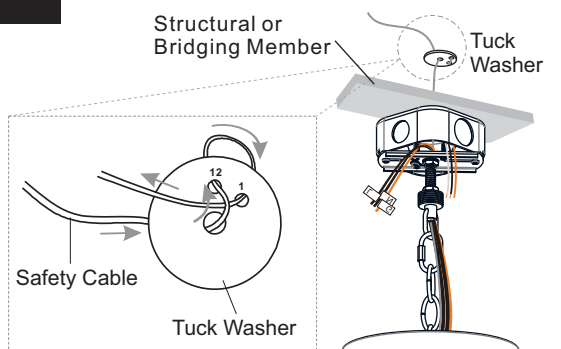
**OPTIONAL:** Adjust Chain as desired, using pliers and soft cloth (neither included).

Suggested chain length for Ceiling height:  
 10 feet ceiling: use 9 links of chain and 2 quick links  
 11 feet ceiling: use 19 links of chain and 2 quick links  
 12 feet ceiling: use 29 links of chain and 2 quick links.



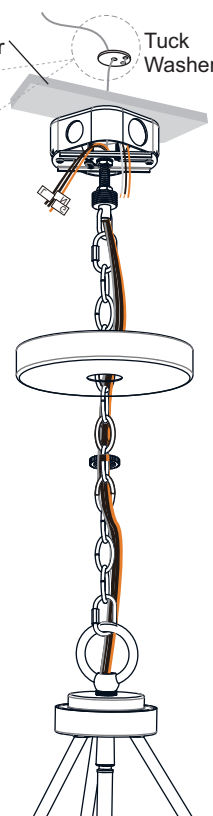
\* Ceiling Canopy shape is varies depends on item purchased.

**6** Pull Supply Wires and Safety Cable

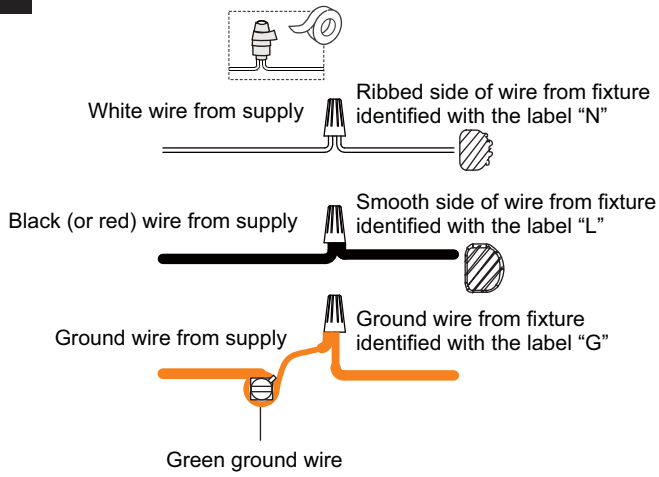


Push all slack safety cable through canopy chain loop, ceiling canopy, nipple and outlet box. Pull all of the safety cable through holes on tuck washer as illustrated above.

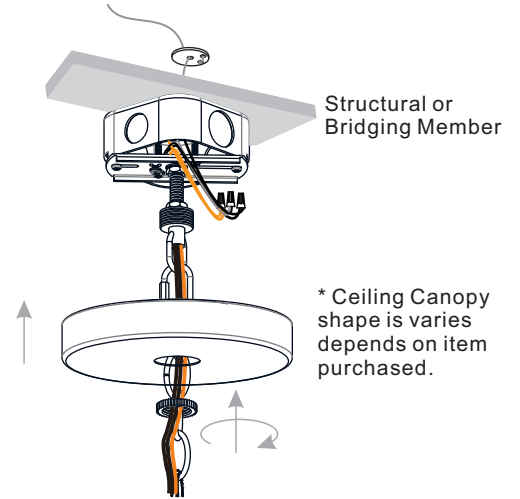
Pull the supply wires with ground wire through the chain alternate links.



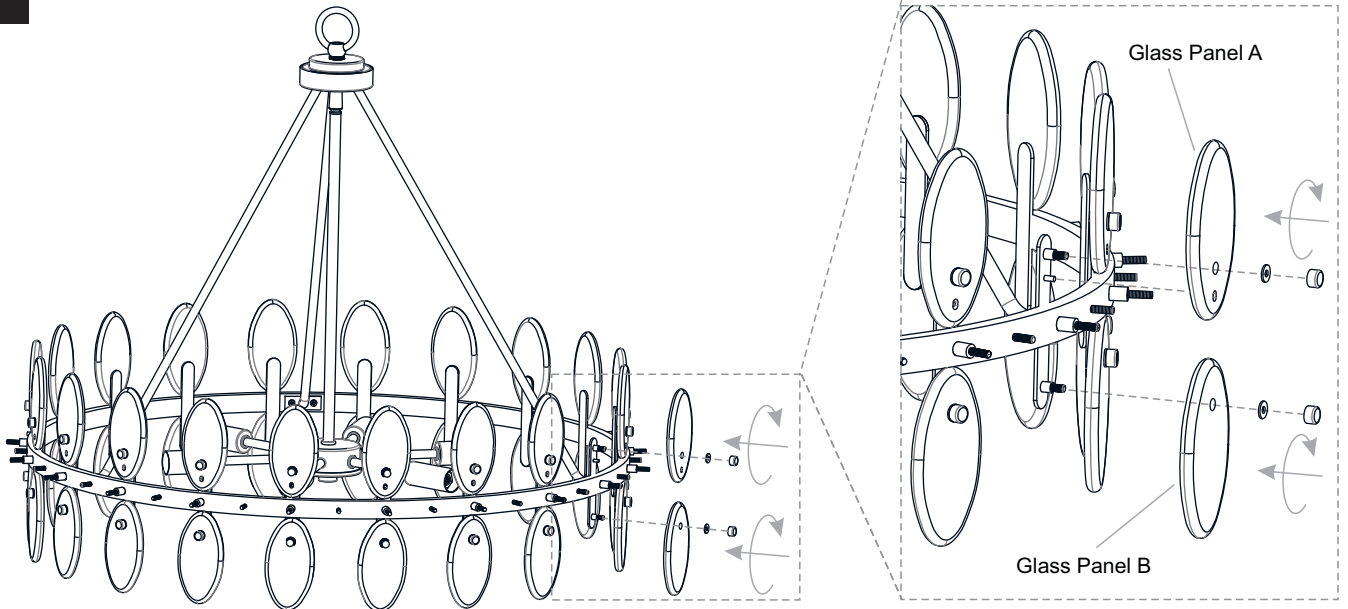
**7** Wiring



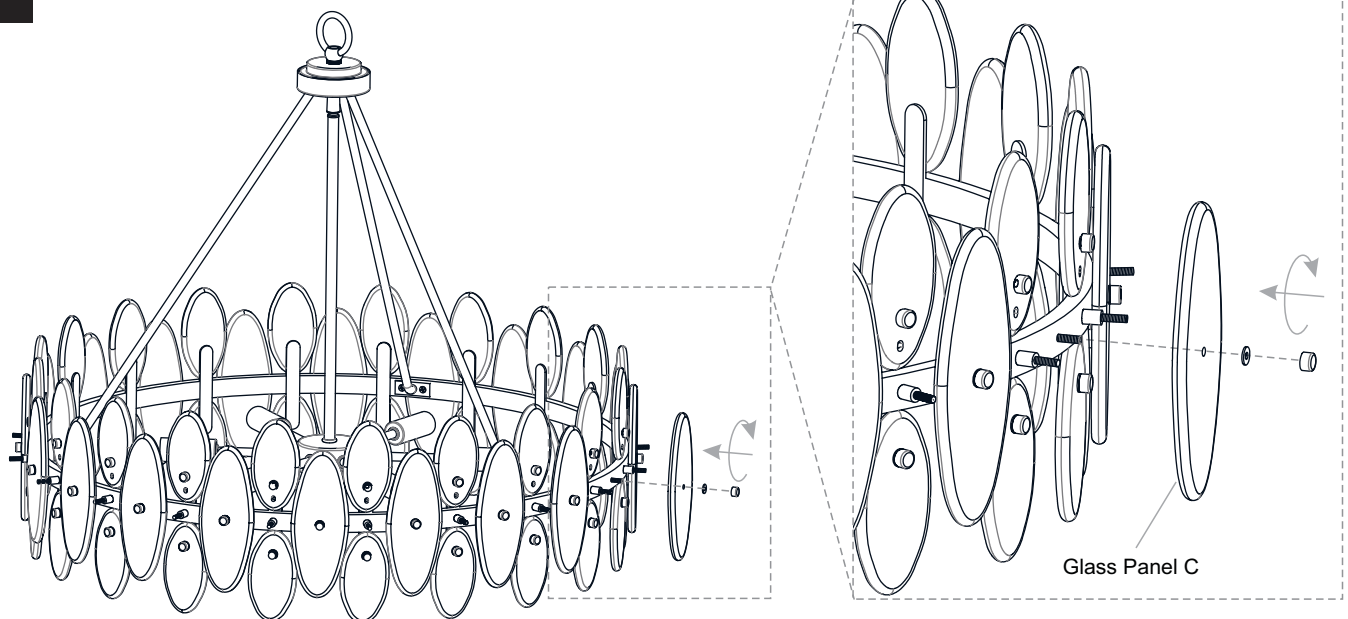
**8** Install Ceiling Canopy



**9** Install Glass Panel A and Glass Panel B

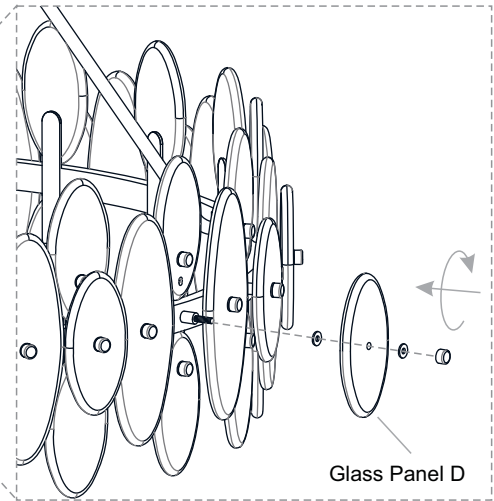
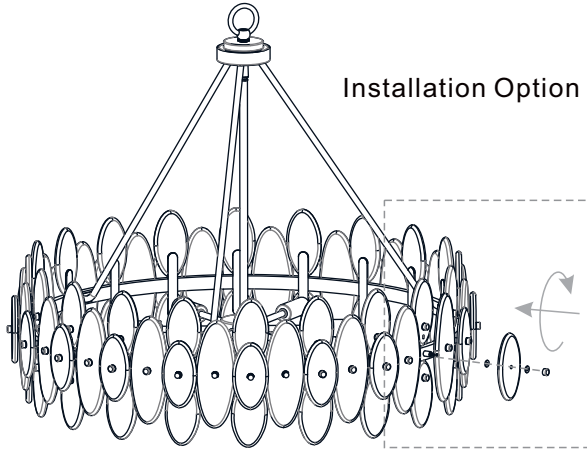


**10** Install Glass Panel C

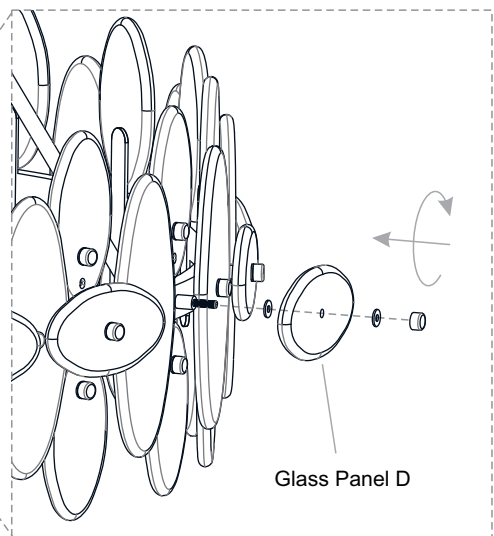
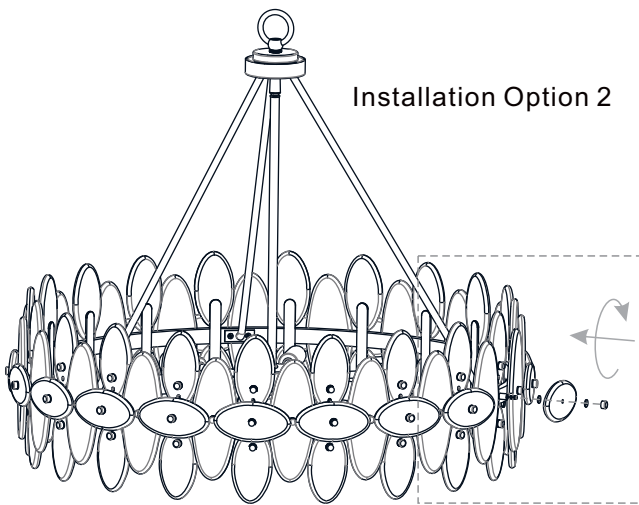


**11 Install Glass Panel D**

Installation Option 1



Installation Option 2

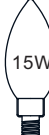


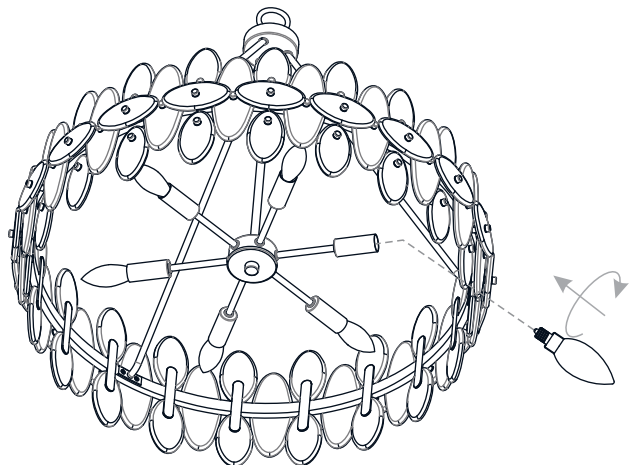
**12 Install Bulbs**

Install six correct bulbs referring to fixture markings and/or labels for maximum wattage.

**Recommended Bulb Type (not included):**

  
BULB BASE TYPE  
Candelabra (E12)

  
15W  
BULB SHAPE  
TYPE B  
LED ONLY



**Your installation is now complete! Restore electricity and save this sheet for future reference.**