

SAFETY INFORMATION

Please read and understand this entire manual before attempting to assemble, install or operate the product.

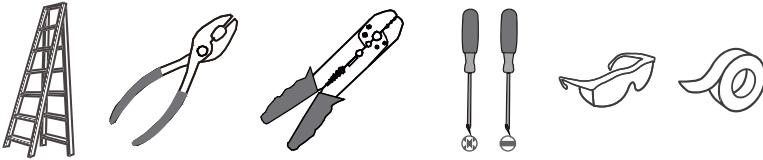
WARNING

- RISK OF ELECTRIC SHOCK - Before beginning installation, turn off electricity at the circuit breaker box or the main fuse box.
- RISK OF FIRE - Use bulbs specified by the markings and/or labels on the fixture.
- Use ONLY LED bulbs in this fixture. Incandescent and halogen lamps may cause severe thermal damage.

CAUTION

- For your safety, read instructions completely before beginning installation.
- If in doubt about electrical installation, consult a licensed electrician.
- Turn off electricity to fixture before replacing the bulb(s).

TOOLS REQUIRED

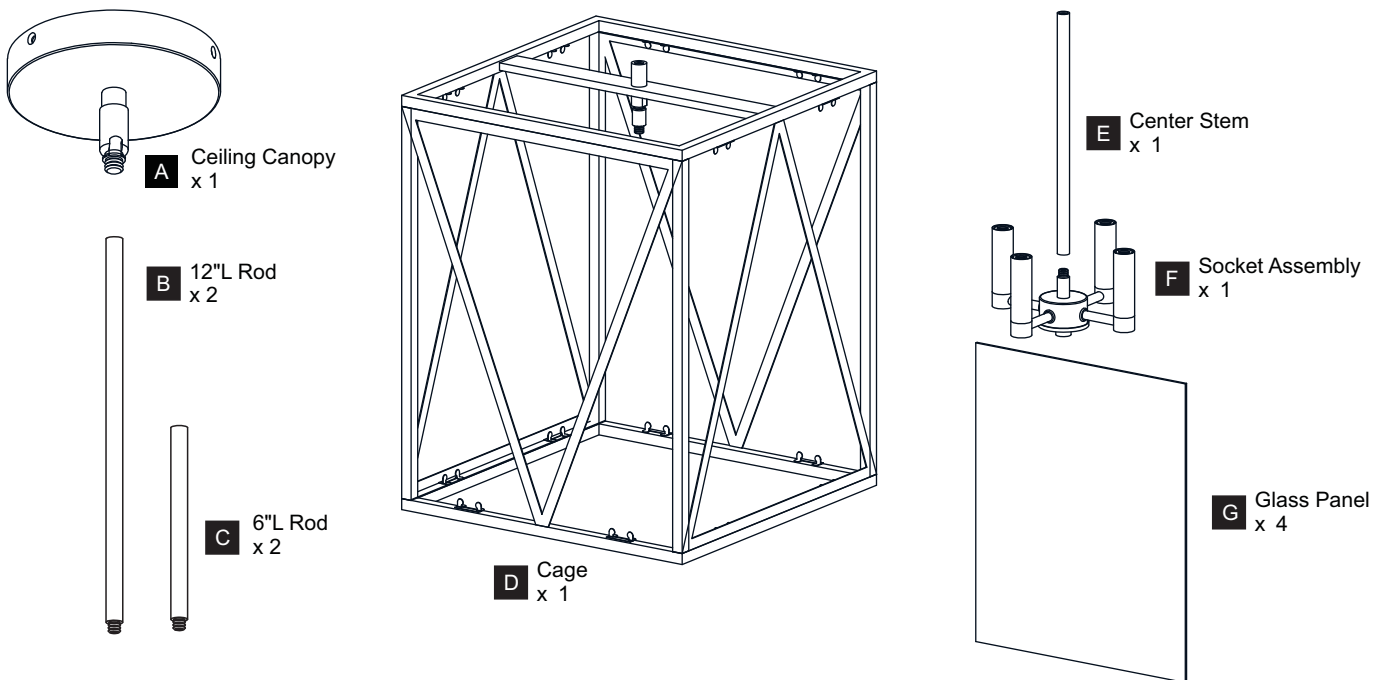


CARE AND MAINTENANCE

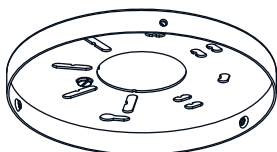
- Wipe clean using soft, dry cloth or static duster. Always avoid using harsh chemicals and abrasives to clean fixture as they may damage the finish.

If you need further assistance call Quozel Customer Care at 1-800-645-3184 (9:00am - 5:00pm EST), or visit us on-line at www.quezel.com.

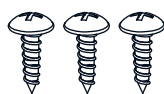
PACKAGE CONTENTS



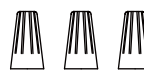
MOUNTING HARDWARE



AA Inner Backplate
x 1



BB Mounting Screw
x 3



BB Wire Connector
x 3

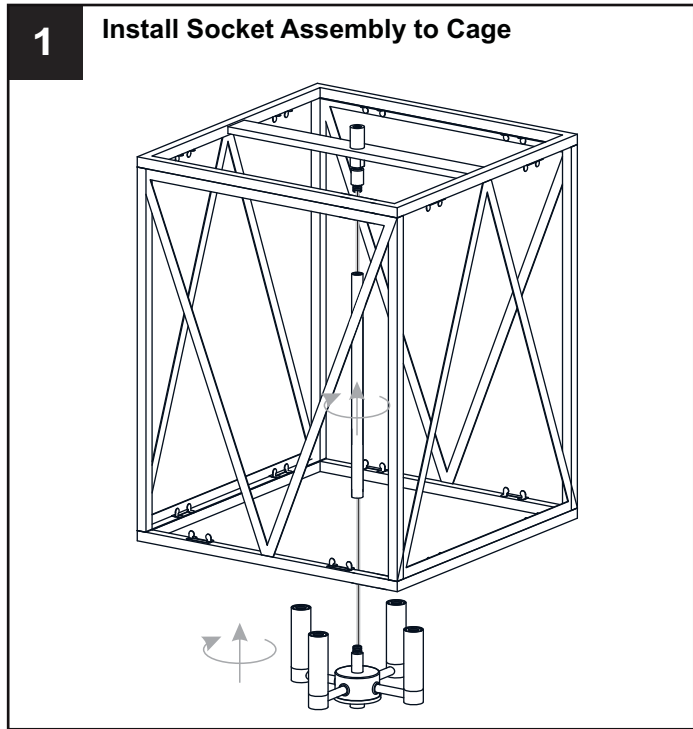


CC Outlet Box Screw
x 2

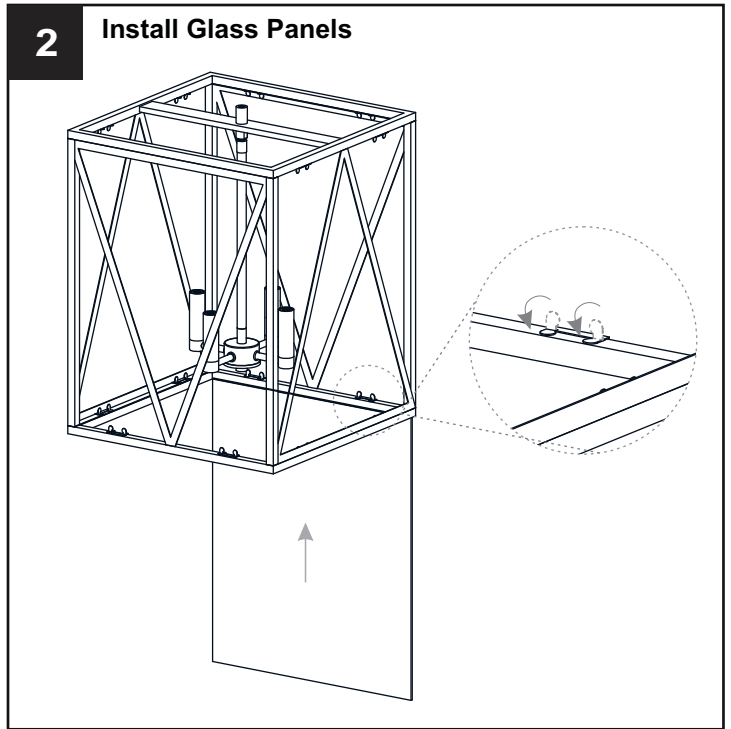
INSTALLATION

OPTION 1: PENDANT - CLO1814MBK AND CLO1814BWS

1 Install Socket Assembly to Cage



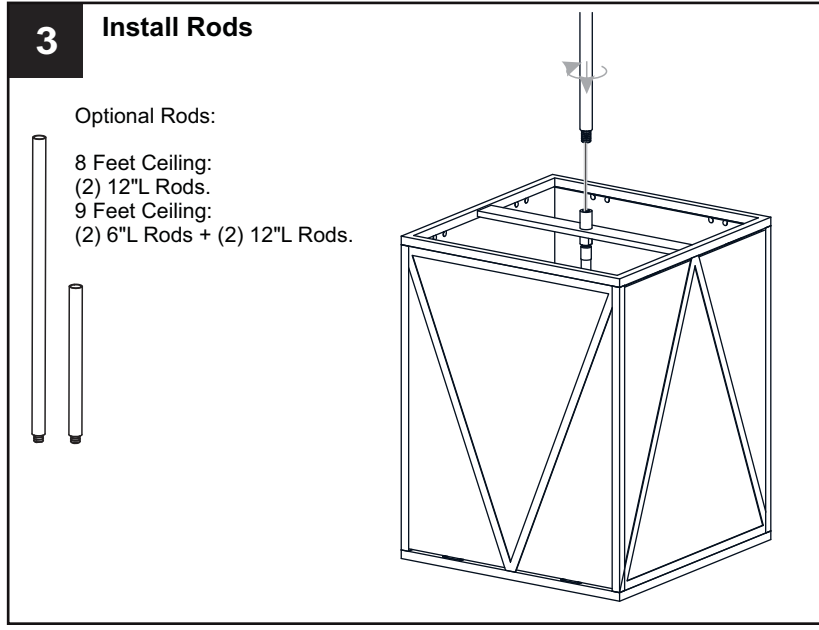
2 Install Glass Panels



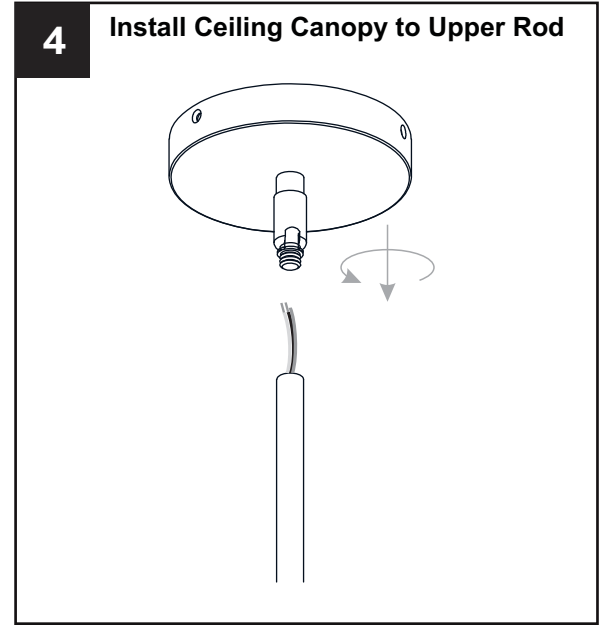
3 Install Rods

Optional Rods:

- 8 Feet Ceiling: (2) 12"L Rods.
- 9 Feet Ceiling: (2) 6"L Rods + (2) 12"L Rods.

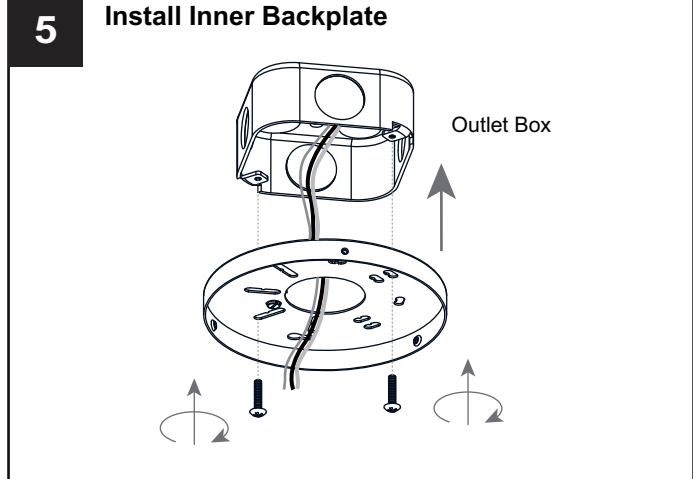


4 Install Ceiling Canopy to Upper Rod

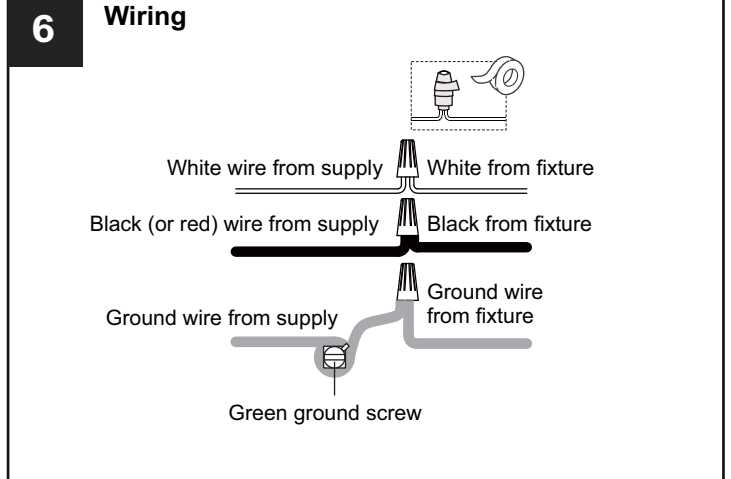


5 Install Inner Backplate

Outlet Box



6 Wiring



White wire from supply White from fixture

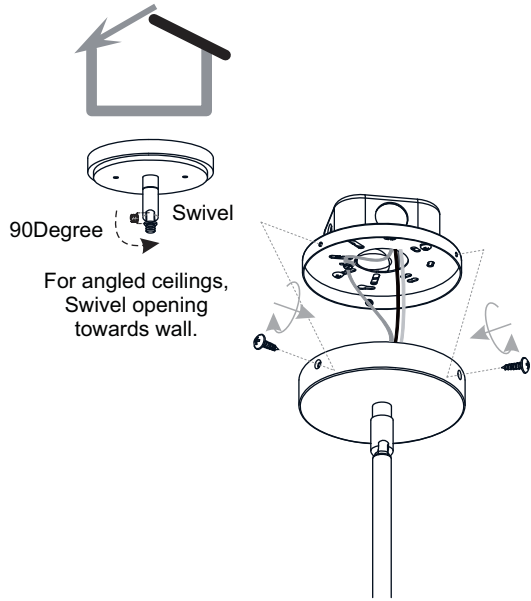
Black (or red) wire from supply Black from fixture

Ground wire from supply Ground wire from fixture

Green ground screw

INSTALLATION

7 Install Ceiling Canopy to Inner Backplate



8 Install Bulbs

Install four correct bulbs referring to fixture markings and/or labels for maximum wattage.

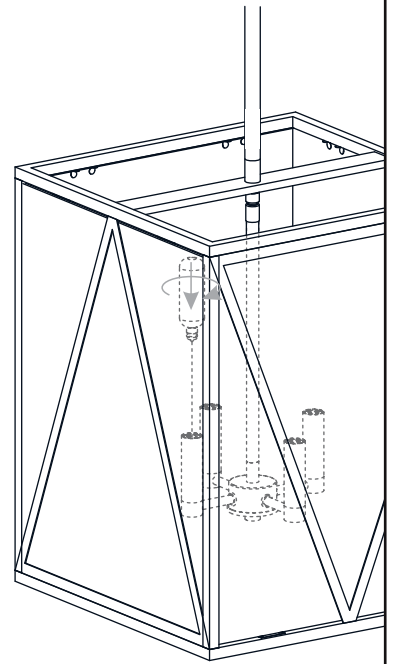
Recommended Bulb Type (not included):



BULB BASE TYPE
Candelabra (E12)



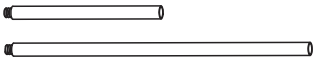
BULB SHAPE TYPE B
LED ONLY



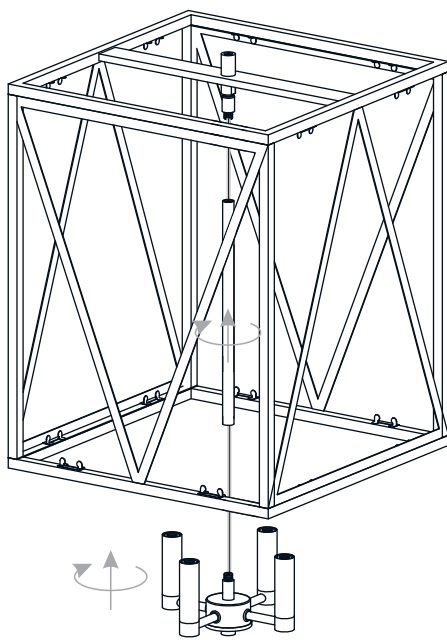
IMPORTANT: This CONVERTIBLE fixture can be mounted as pendant light or semi-flush light. **DO NOT CUT SUPPLY WIRES** if you intend to use it as pendant light.

OPTION 2: SEMI-FLUSH - CLO1714MBK AND CLO1714BWS

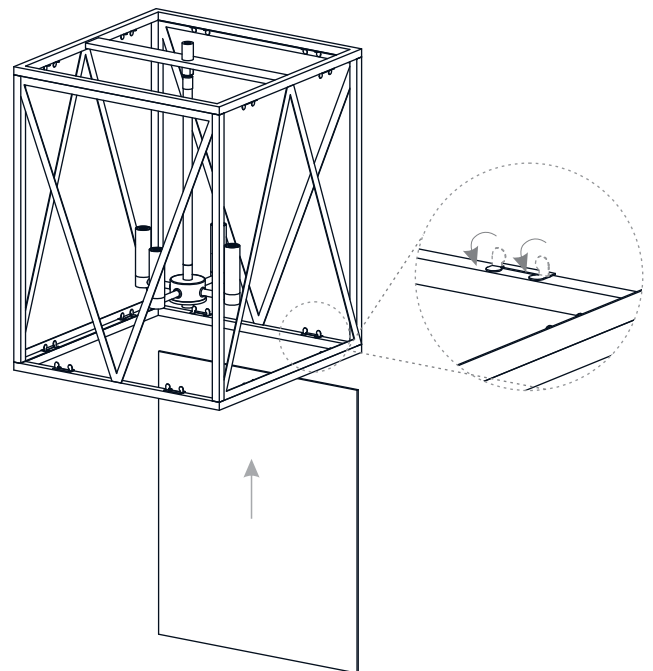
* Set aside (2) 6"L Rods and (2) 12"L Rods since they are not required for the semi-flush installation.



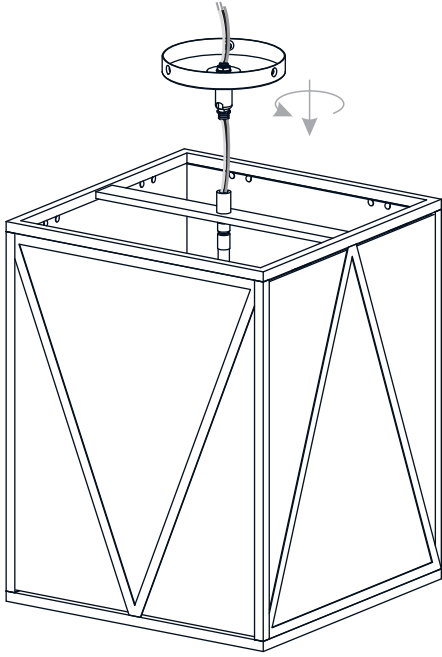
1 Install Socket Assembly to Cage



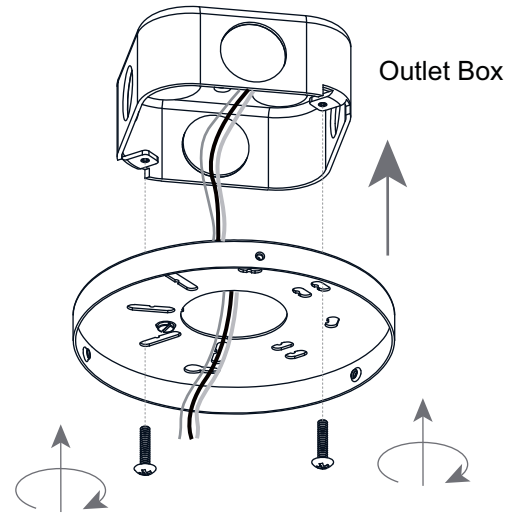
2 Install Glass Panels



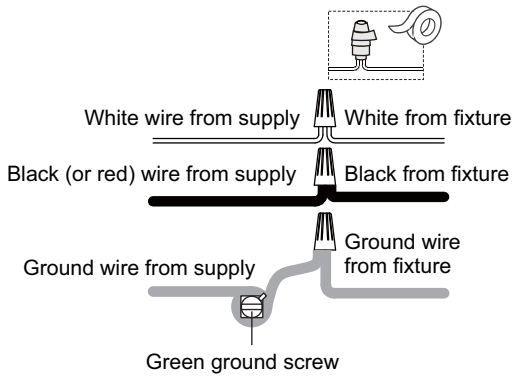
3 Install Ceiling Canopy to Upper Rod



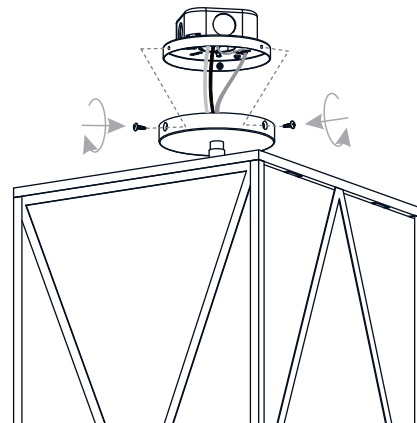
4 Install Inner Backplate



5 Wiring



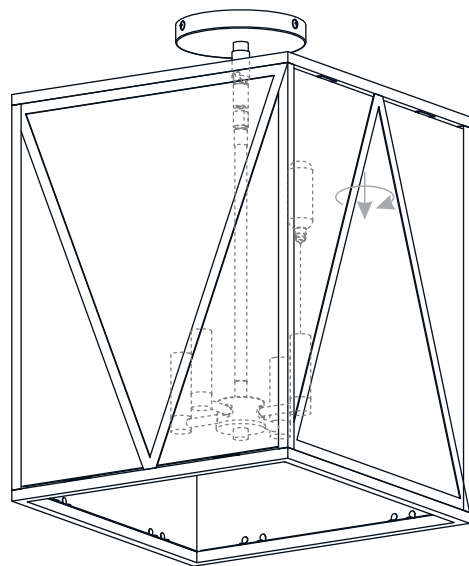
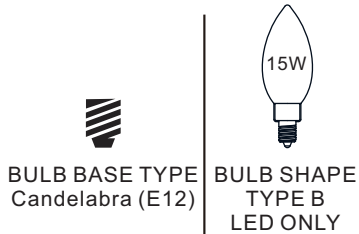
6 Install Fixture to Inner Backplate



7 Install Bulbs

Install four correct bulbs referring to fixture markings and/or labels for maximum wattage.

Recommended Bulb Type (not included):



Your installation is now complete! Restore electricity and save this sheet for future reference.