

**SAFETY INFORMATION**

Released Date: 2025-09-22

Please read and understand this entire manual before attempting to assemble, install or operate the product.

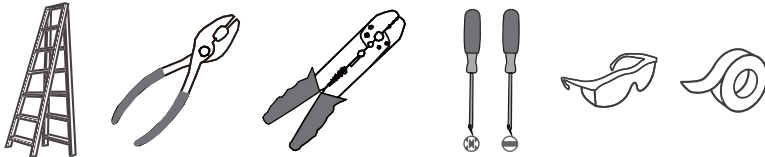
**WARNING**

- RISK OF ELECTRIC SHOCK - Before beginning installation, turn off electricity at the circuit breaker box or the main fuse box.
- RISK OF FIRE - Use bulbs specified by the markings and/or labels on the fixture.
- Use ONLY LED bulbs in this fixture. Incandescent and halogen lamps may cause severe thermal damage.

**CAUTION**

- For your safety, read instructions completely before beginning installation.
- If in doubt about electrical installation, consult a licensed electrician.
- Turn off electricity to fixture before replacing the bulb(s).

**TOOLS REQUIRED**

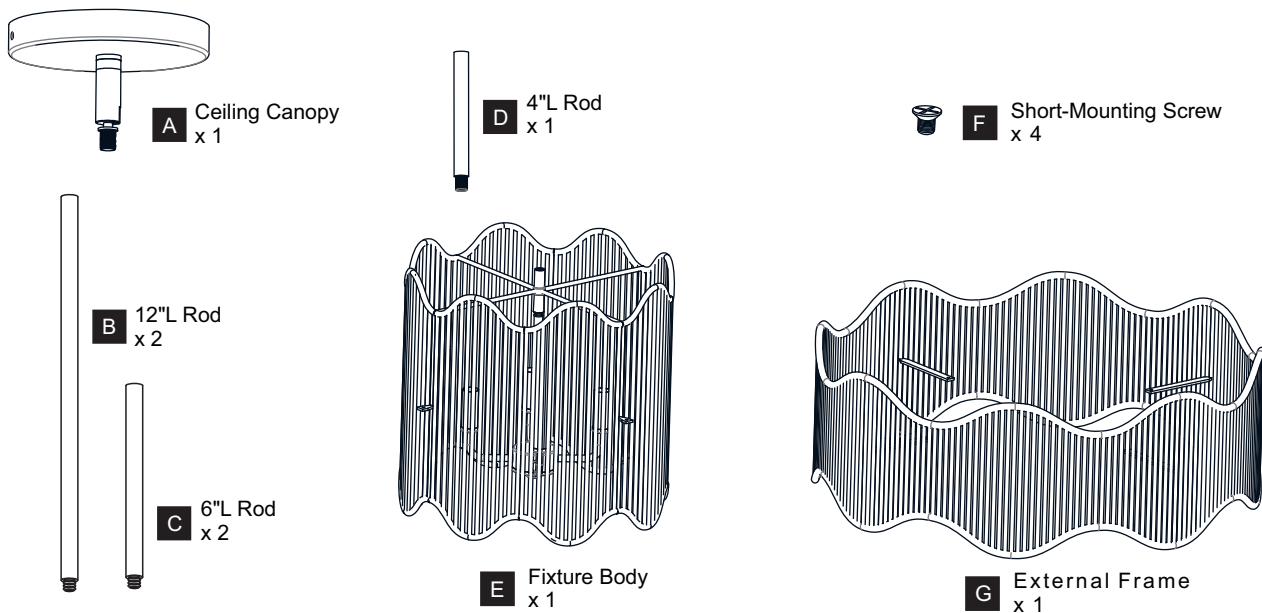


**CARE AND MAINTENANCE**

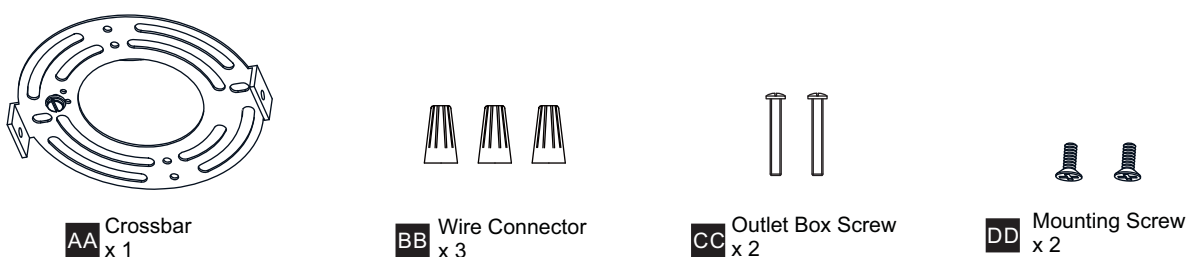
- Wipe clean using soft, dry cloth or static duster. Always avoid using harsh chemicals and abrasives to clean fixture as they may damage the finish.

If you need further assistance call Quozel Customer Care at 1-800-645-3184 (9:00am - 5:00pm EST), or visit us on-line at [www.quezel.com](http://www.quezel.com).

**PACKAGE CONTENTS**



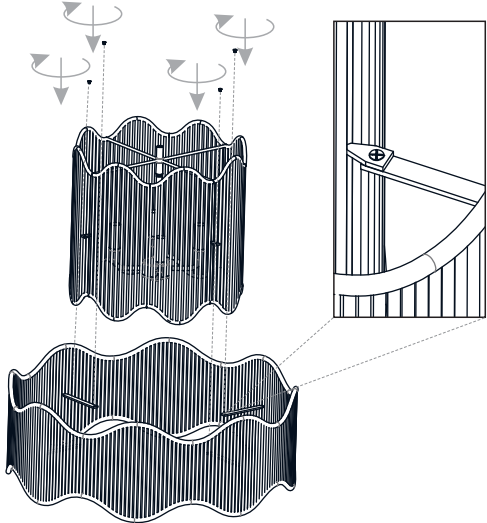
**MOUNTING HARDWARE**



# INSTALLATION

## OPTION 1: PENDANT - EVA2818BRG

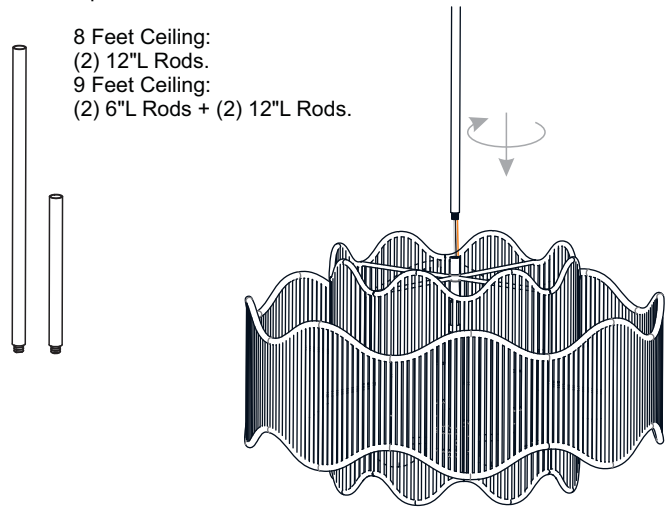
**1 Install Fixture Body to External Frame**



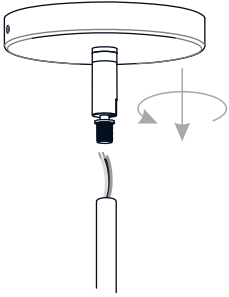
**2 Install Rods**

Optional Rods:

8 Feet Ceiling:  
(2) 12"L Rods.  
9 Feet Ceiling:  
(2) 6"L Rods + (2) 12"L Rods.

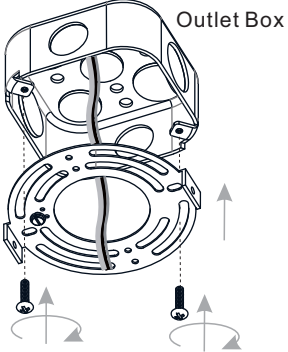


**3 Install Ceiling Canopy to Upper Rod**

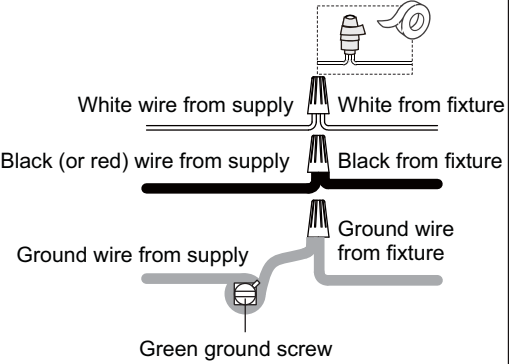


**4 Install Crossbar Assembly**

Outlet Box



**5 Wiring**

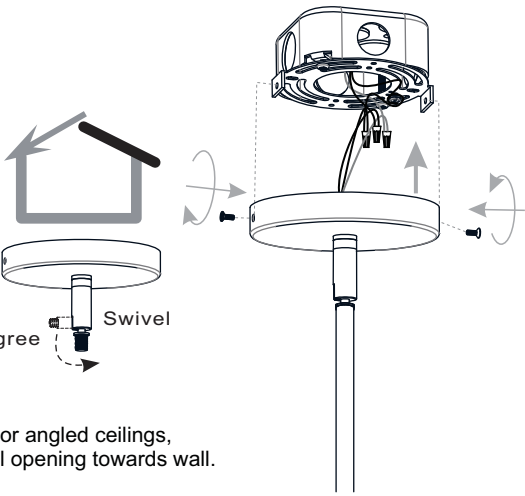


**6 Install Ceiling Canopy to Crossbar**

Swivel

90Degree

For angled ceilings,  
Swivel opening towards wall.



**7 Install Bulbs**

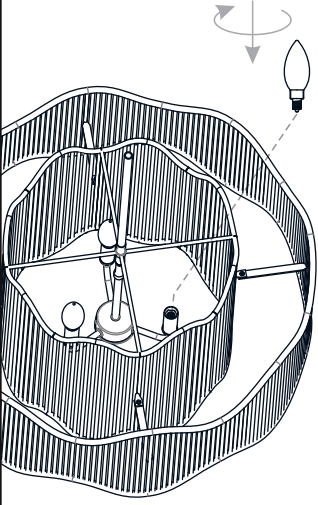
Install three correct bulbs referring to fixture markings and/or labels for maximum wattage.

**Recommended Bulb type (not included):**

**BULB BASE TYPE**  
Candelabra (E12)

**BULB SHAPE**  
TYPE B  
LED ONLY

15W



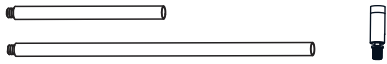
Your installation is now complete! Restore electricity and save this sheet for future reference.

# INSTALLATION

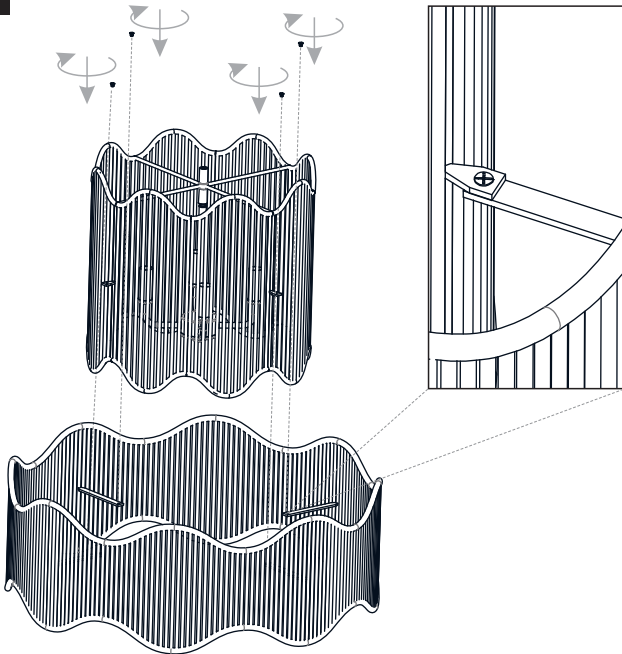
**IMPORTANT:** This CONVERTIBLE fixture can be mounted as pendant light or semi-flush light. **DO NOT CUT SUPPLY WIRES** if you intend to use it as pendant light.

## OPTION 2: SEMI-FLUSH - EVA1718BRG

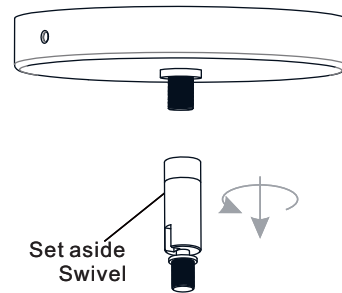
\* Set aside (2) 6"L Rods and (2) 12"L Rods since they are not required for the semi-flush installation.



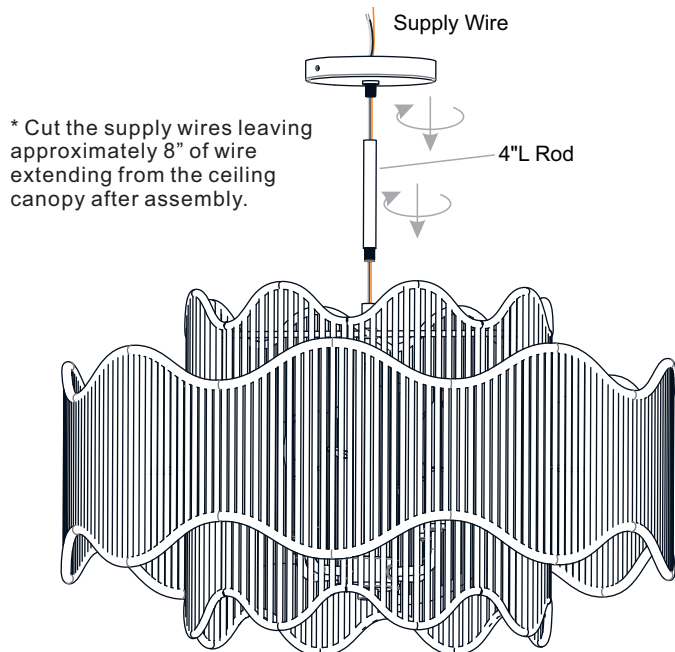
### 1 Install Fixture Body to External Frame



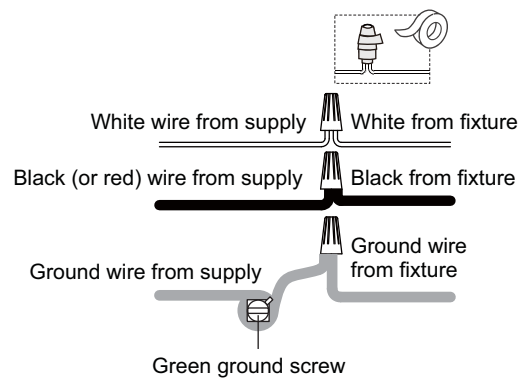
### 2 Remove Swivel



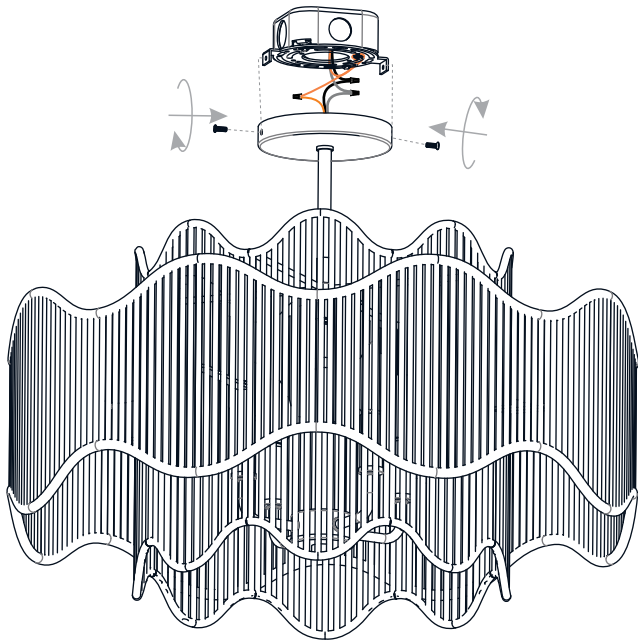
### 3 Install Rod and Ceiling Canopy



### 4 Wiring



**5** Install Ceiling Canopy to Crossbar Assembly



**6** Install Bulbs

Install three correct bulbs referring to fixture markings and/or labels for maximum wattage.

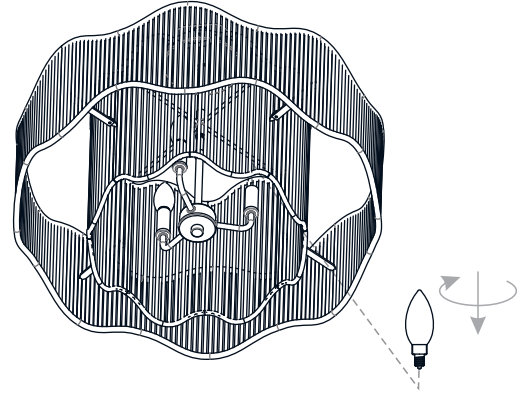
**Recommended Bulb type (not included):**



BULB BASE TYPE  
Candelabra (E12)



BULB SHAPE  
TYPE B  
LED ONLY



**Your installation is now complete! Restore electricity and save this sheet for future reference.**