

**SAFETY INFORMATION**

Please read and understand this entire manual before attempting to assemble, install or operate the product.

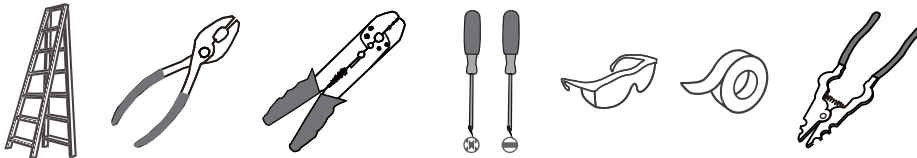
**WARNING**

- RISK OF ELECTRIC SHOCK - Before beginning installation, turn off electricity at the circuit breaker box or the main fuse box.
- RISK OF FIRE - Use bulbs specified by the markings and/or labels on the fixture.
- Use ONLY LED bulbs in this fixture. Incandescent and halogen lamps may cause severe thermal damage.

**CAUTION**

- For your safety, read instructions completely before beginning installation.
- If in doubt about electrical installation, consult a licensed electrician.
- Turn off electricity to fixture before replacing the bulb(s).

**TOOLS REQUIRED**

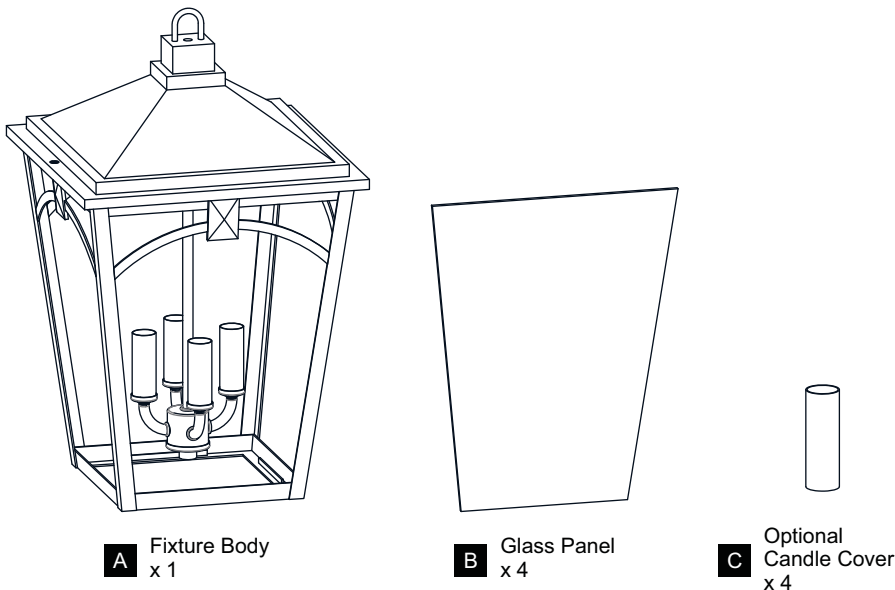


**CARE AND MAINTENANCE**

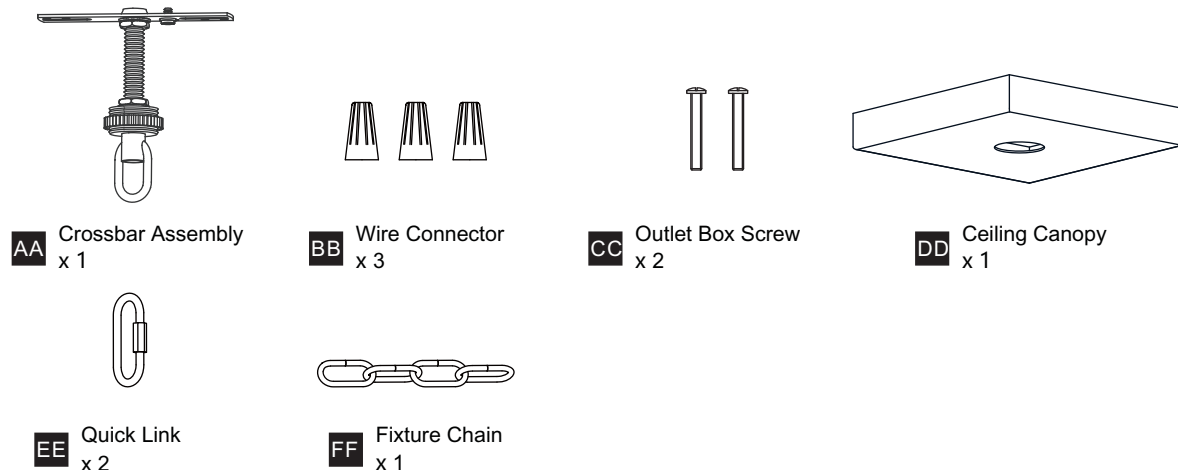
- Wipe clean using soft, dry cloth or static duster. Always avoid using harsh chemicals and abrasives to clean fixture as they may damage the finish.

If you need further assistance call Quozel Customer Care at 1-800-645-3184 (9:00am - 5:00pm EST), or visit us on-line at [www.quozel.com](http://www.quozel.com).

**PACKAGE CONTENTS**

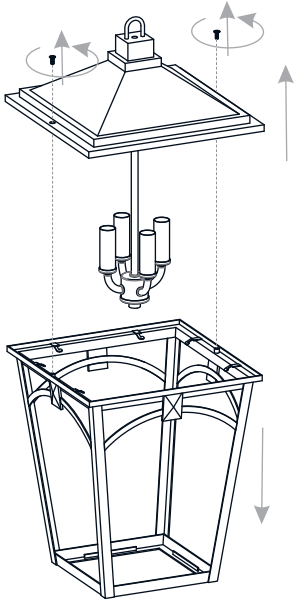


**MOUNTING HARDWARE**

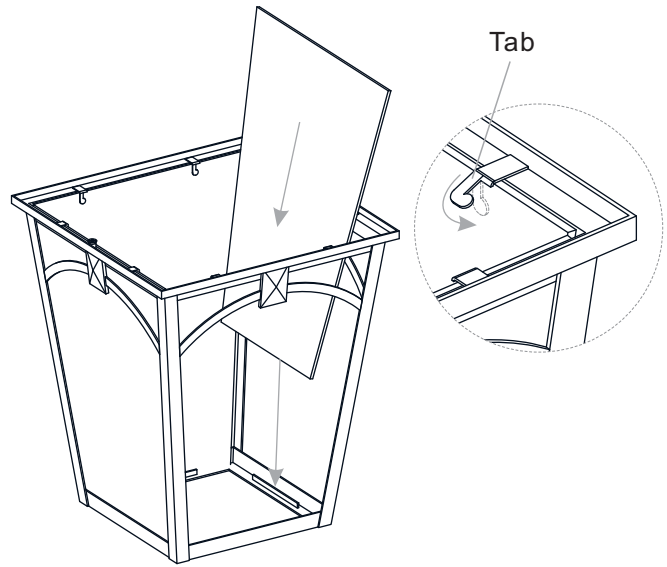


# INSTALLATION

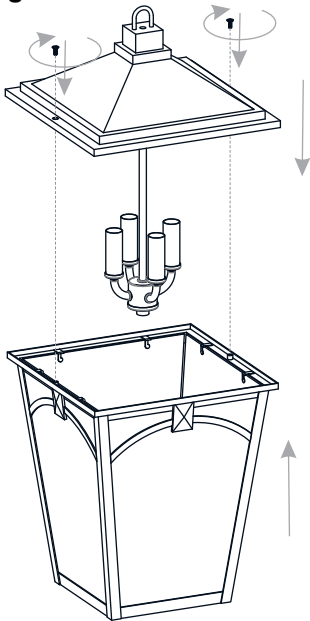
## 1 Remove Cage From Fixture Body



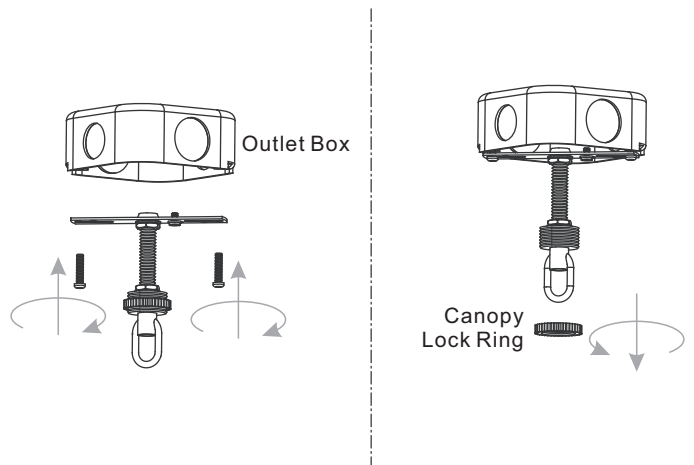
## 2 Install Glass Panels



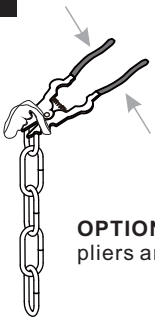
## 3 Install Cage



## 4 Install Crossbar Assembly

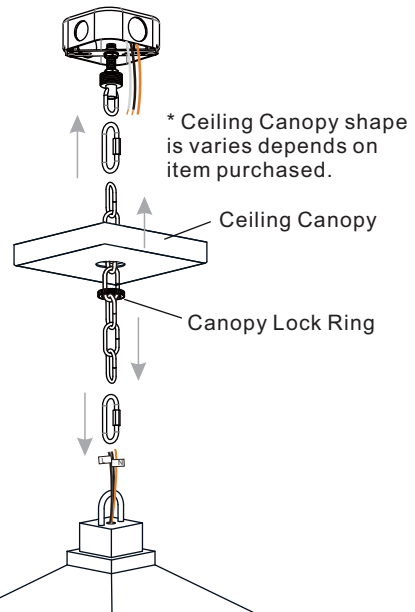


## 5 Install Fixture Chain



**OPTIONAL:** Adjust Chain as desired, using pliers and soft cloth (neither included).

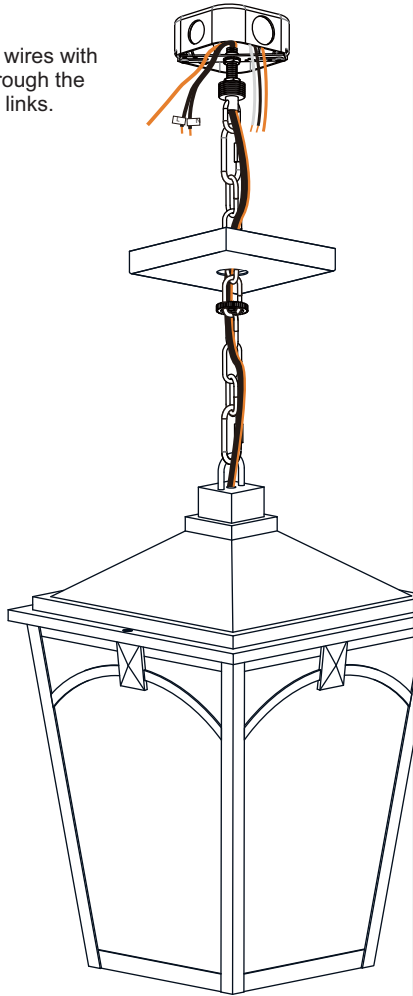
Suggested chain length for Ceiling height:  
8 feet ceiling: use 13 links of chain and 2 quick links  
9 feet ceiling: use 23 links of chain and 2 quick links  
10 feet ceiling: use 33 links of chain and 2 quick links.



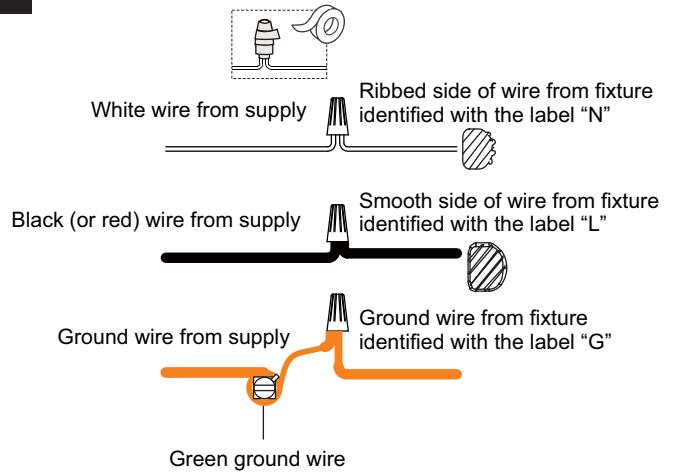
# INSTALLATION

## 6 Pull Supply Wires

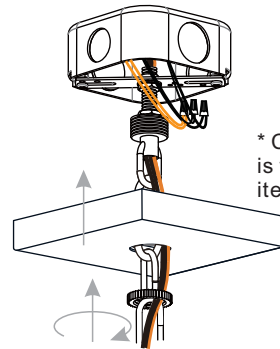
Pull the supply wires with ground wire through the chain alternate links.



## 7 Wiring



## 8 Install Ceiling Canopy

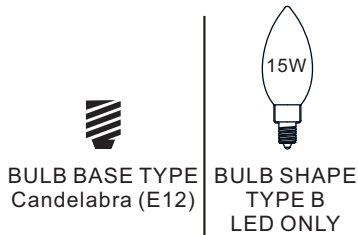


\* Ceiling Canopy shape is varies depends on item purchased.

## 9 Install Bulbs

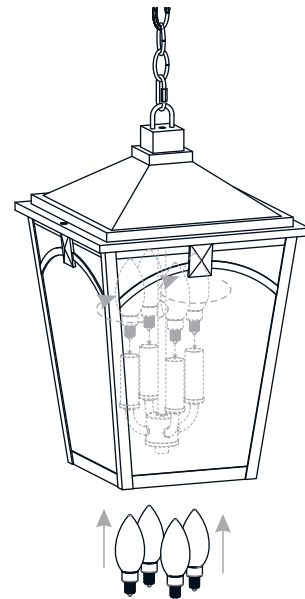
Install four correct bulbs referring to fixture markings and/or labels for maximum wattage.

**Recommended Bulb Type (not included):**



Optional Candle Cover

\* Remove Candle Covers on the sockets, replace them with Optional Candle Covers if you want.



**Your installation is now complete! Restore electricity and save this sheet for future reference.**