

SAFETY INFORMATION

Please read and understand this entire manual before attempting to assemble, install or operate the product.

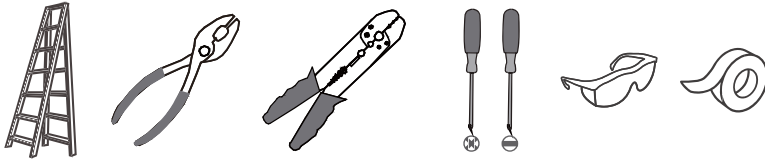
WARNING

- RISK OF ELECTRIC SHOCK - Before beginning installation, turn off electricity at the circuit breaker box or the main fuse box.
- RISK OF FIRE - Use bulbs specified by the markings and/or labels on the fixture.
- Use ONLY LED bulbs in this fixture. Incandescent and halogen lamps may cause severe thermal damage.

CAUTION

- For your safety, read instructions completely before beginning installation.
- If in doubt about electrical installation, consult a licensed electrician.
- Turn off electricity to fixture before replacing the bulb(s).

TOOLS REQUIRED

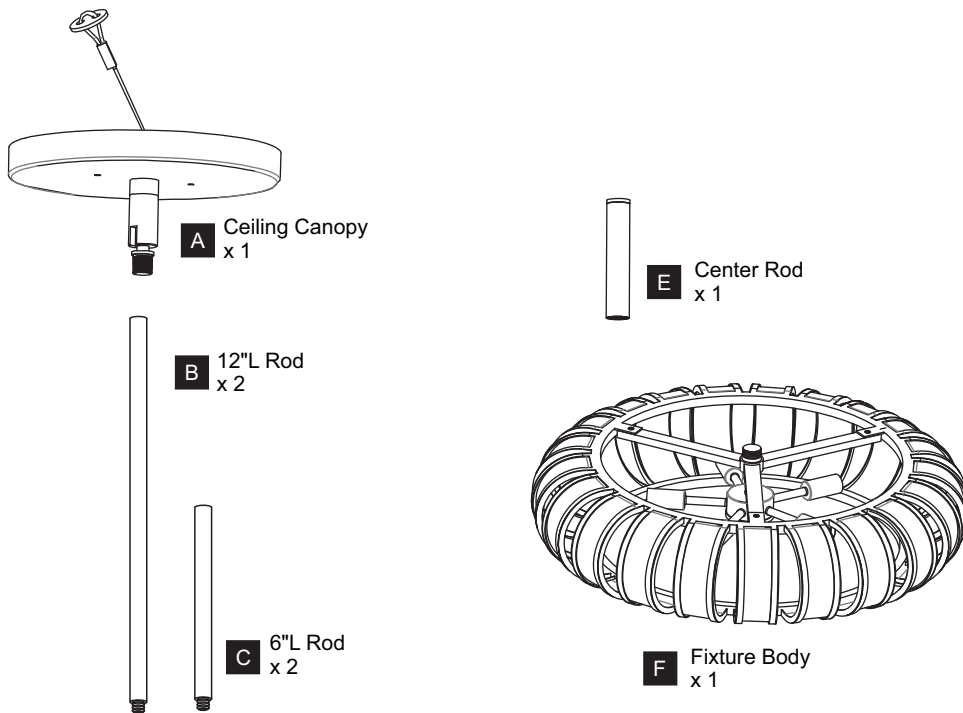


CARE AND MAINTENANCE

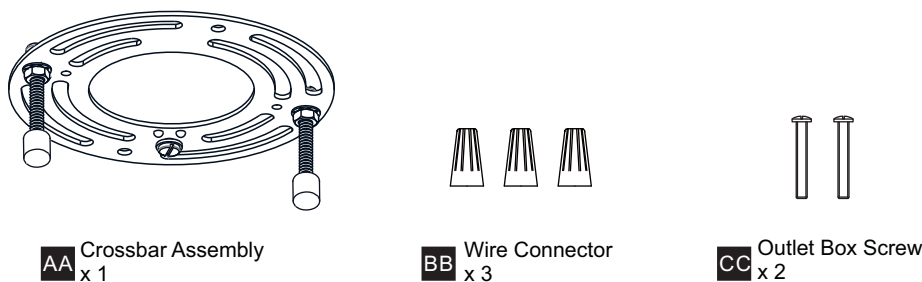
- Wipe clean using soft, dry cloth or static duster. Always avoid using harsh chemicals and abrasives to clean fixture as they may damage the finish.

If you need further assistance call Quoizel Customer Care at 1-800-645-3184 (9:00am - 5:00pm EST), or visit us on-line at www.quoizel.com.

PACKAGE CONTENTS



MOUNTING HARDWARE

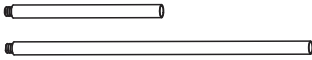


INSTALLATION

IMPORTANT: This CONVERTIBLE fixture can be mounted as pendant light or semi-flush light. **DO NOT CUT SUPPLY WIRES** if you intend to use it as pendant light.

OPTION 1: SEMI-FLUSH - KNIG1722SGD

* Set aside (2) 6"L Rods and (2) 12"L Rods since they are not required for the semi-flush installation.



1 Remove Swivel

* Set aside the swivel since it is not required for the semi-flush installation.

2 Install Center Rod to Fixture Body

3 Install Ceiling Canopy

* Cut the supply wires leaving approximately 8" of wire extending from the ceiling canopy after assembly.

4 Install Crossbar Assembly

Outlet Box

5 Install Lanyard

Button Stop

Lanyard

6 Wiring

White wire from supply White from fixture

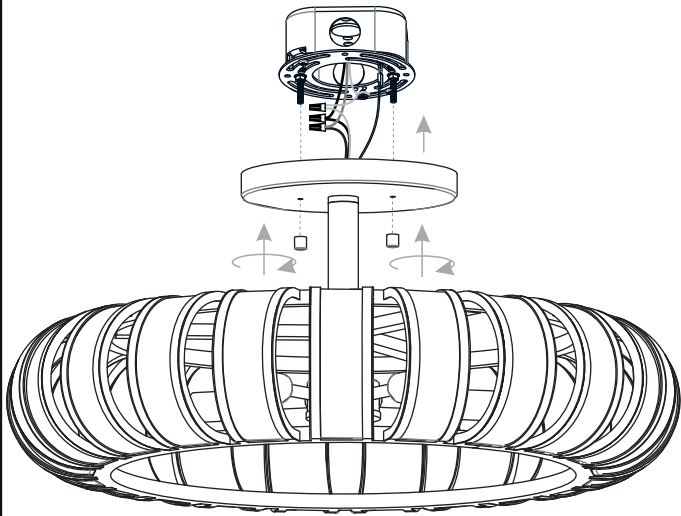
Black (or red) wire from supply Black from fixture

Ground wire from supply Ground wire from fixture

Green ground screw

INSTALLATION

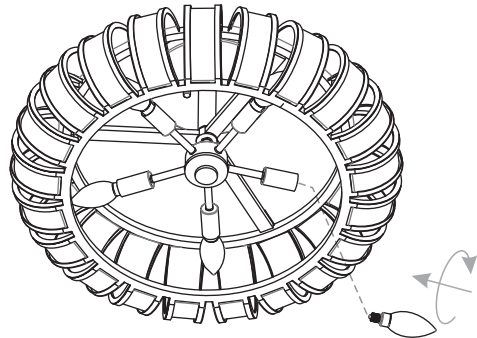
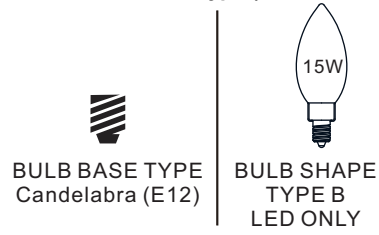
7 Install Ceiling Canopy to Crossbar Assembly



8 Install Bulbs

Install five correct bulbs referring to fixture markings and/or labels for maximum wattage.

Recommended Bulb type (not included):

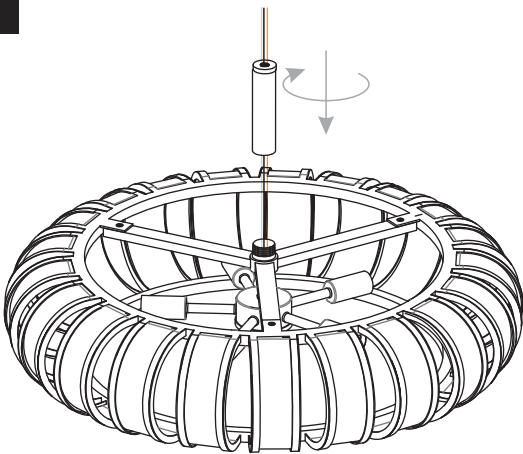


Your installation is now complete! Restore electricity and save this sheet for future reference.

INSTALLATION

OPTION 2: PENDANT - KNIG2822SGD

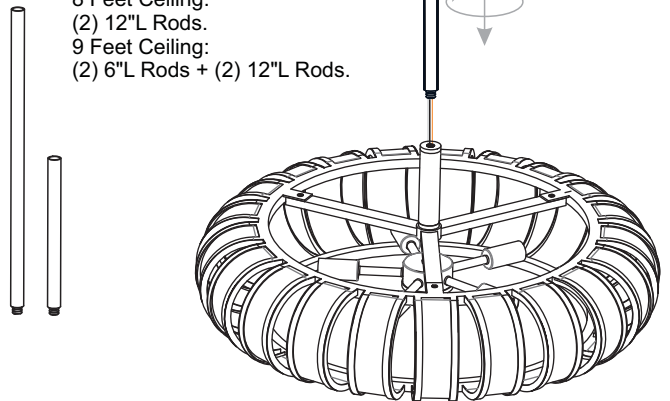
1 Install Center Rod to Fixture Body



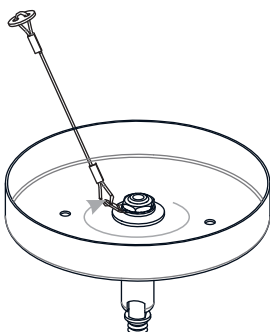
2 Install Rods

Optional Rods:

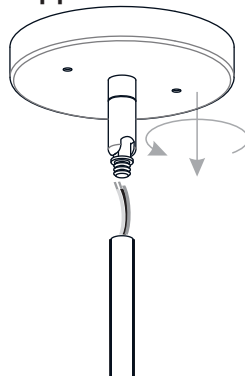
8 Feet Ceiling:
(2) 12"L Rods.
9 Feet Ceiling:
(2) 6"L Rods + (2) 12"L Rods.



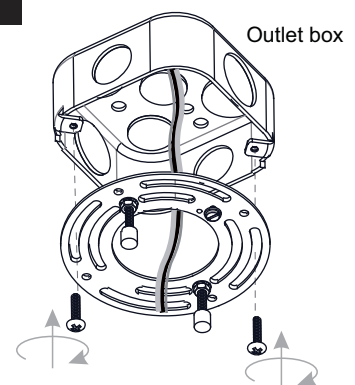
3 Tighten Hex Nut inside of Ceiling Canopy



4 Install Ceiling Canopy to Upper Rod

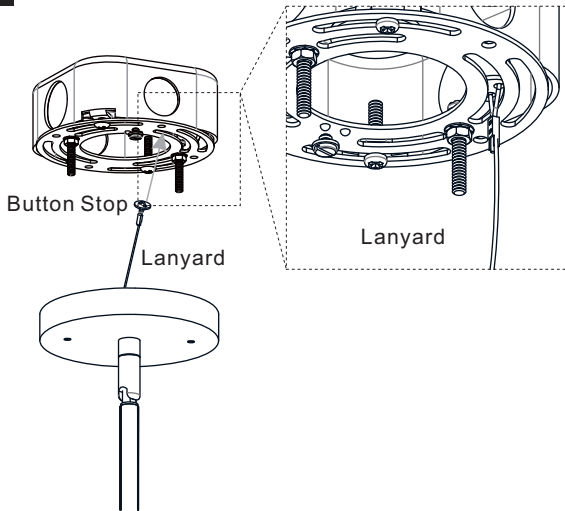


5 Install Crossbar Assembly

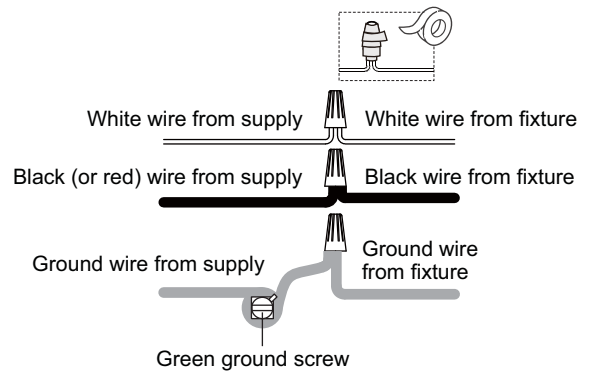


INSTALLATION

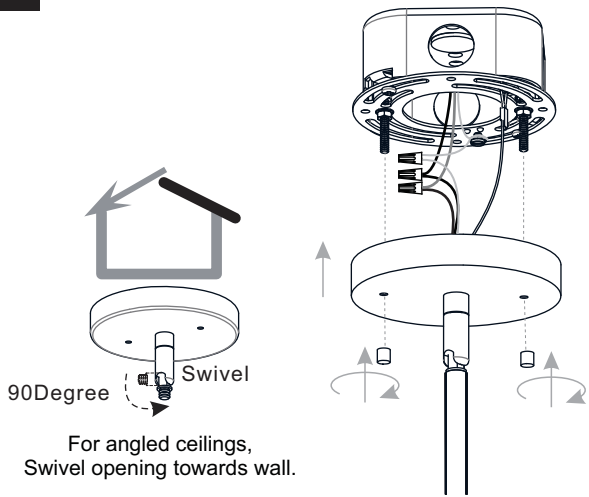
6 Install Lanyard



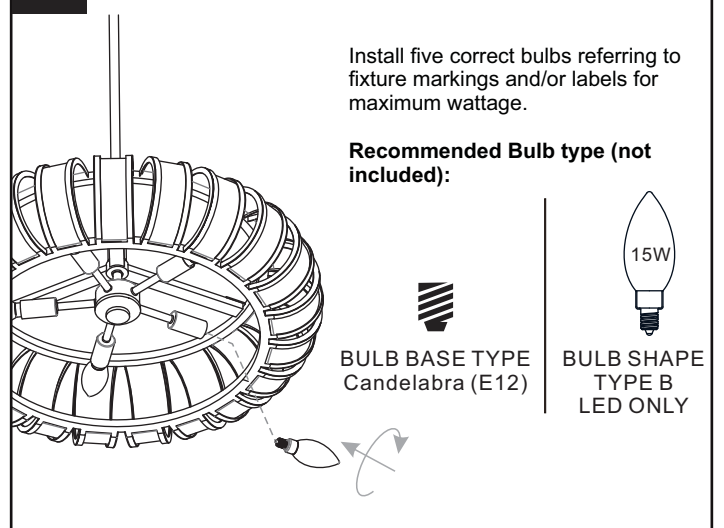
7 Wiring



8 Install Ceiling Canopy to Crossbar Assembly



9 Install Bulbs



Your installation is now complete! Restore electricity and save this sheet for future reference.