

SAFETY INFORMATION

Please read and understand this entire manual before attempting to assemble, install or operate the product.

WARNING

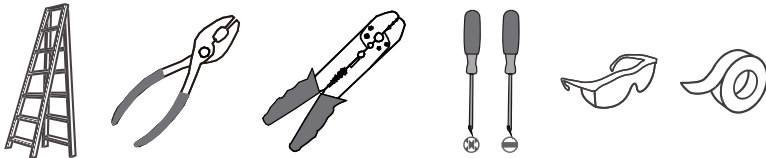
- RISK OF ELECTRIC SHOCK - Before beginning installation, turn off electricity at the circuit breaker box or the main fuse box.

CAUTION

- For your safety, read instructions completely before beginning installation.
- If in doubt about electrical installation, consult a licensed electrician.

TOOLS REQUIRED

Ratings	120Vac, 60Hz	
	Model No.	Wattage
	PCDAV844BRG	21W

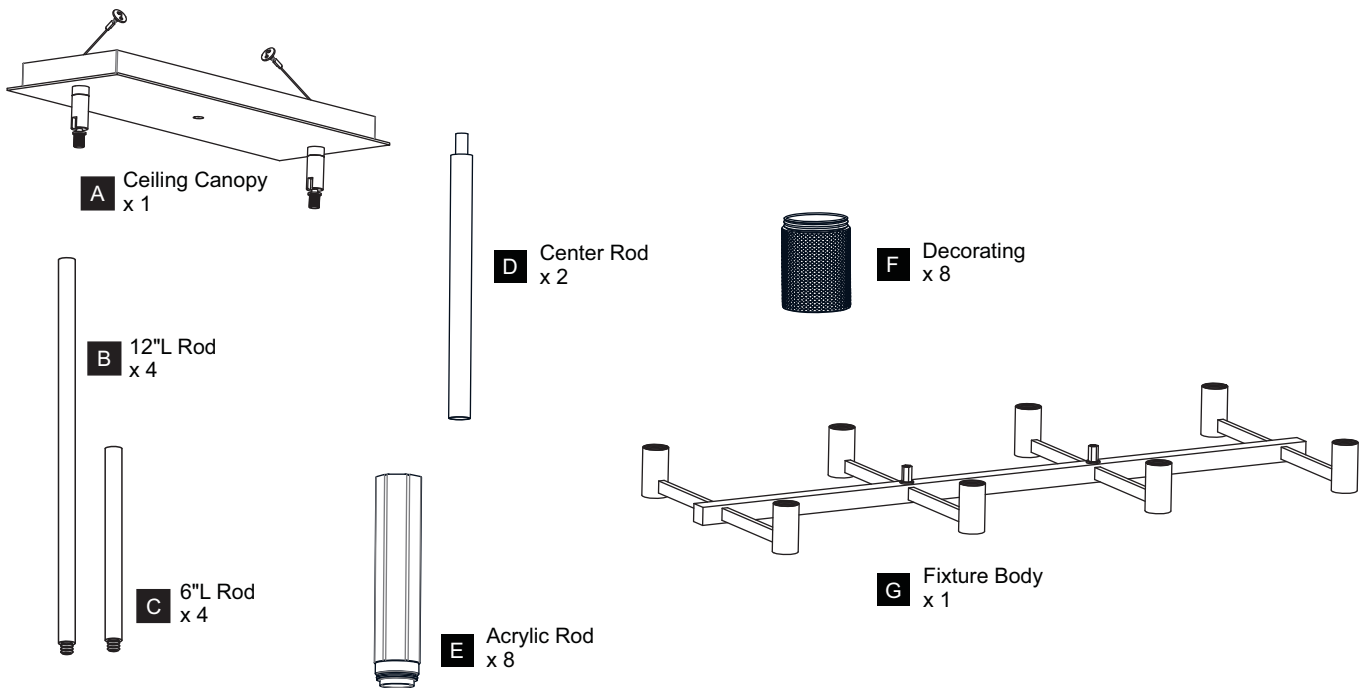


CARE AND MAINTENANCE

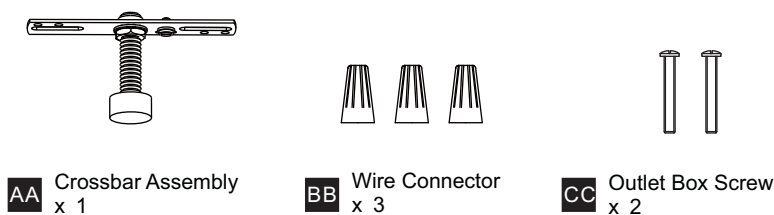
- Wipe clean using soft, dry cloth or static duster. Always avoid using harsh chemicals and abrasives to clean fixture as they may damage the finish.

If you need further assistance call Quoizel Customer Care at 1-800-645-3184 (9:00am - 5:00pm EST), or visit us on-line at www.quoizel.com.

PACKAGE CONTENTS

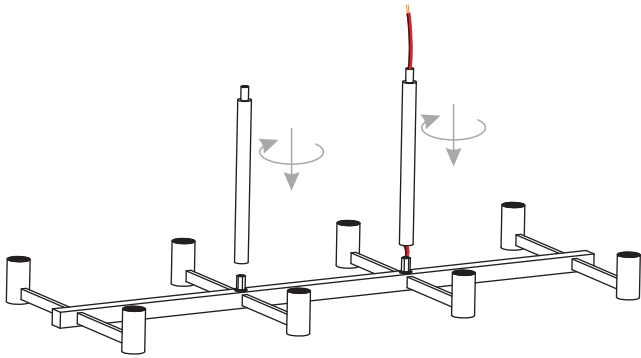


MOUNTING HARDWARE



INSTALLATION

1 Install Center Rod to Fixture Body



2 Install Rods

Optional Rods:

8 Feet Ceiling:

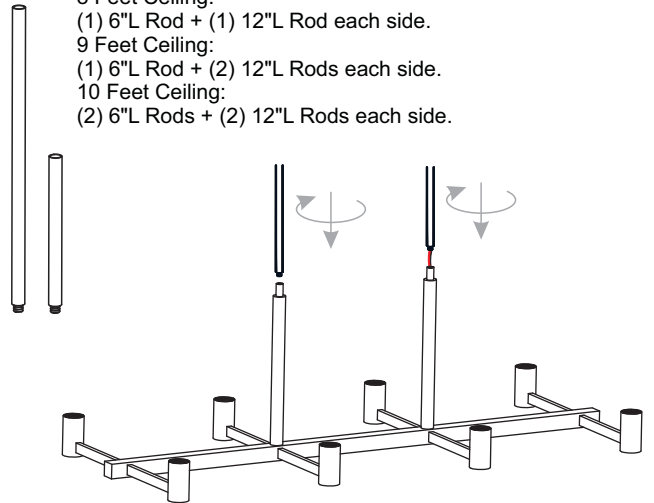
(1) 6"L Rod + (1) 12"L Rod each side.

9 Feet Ceiling:

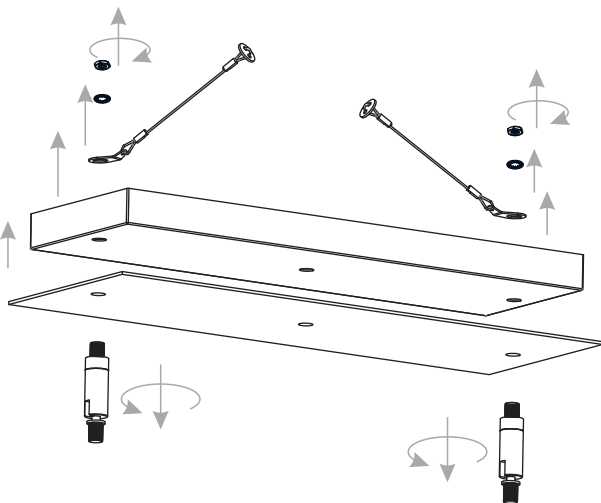
(1) 6"L Rod + (2) 12"L Rods each side.

10 Feet Ceiling:

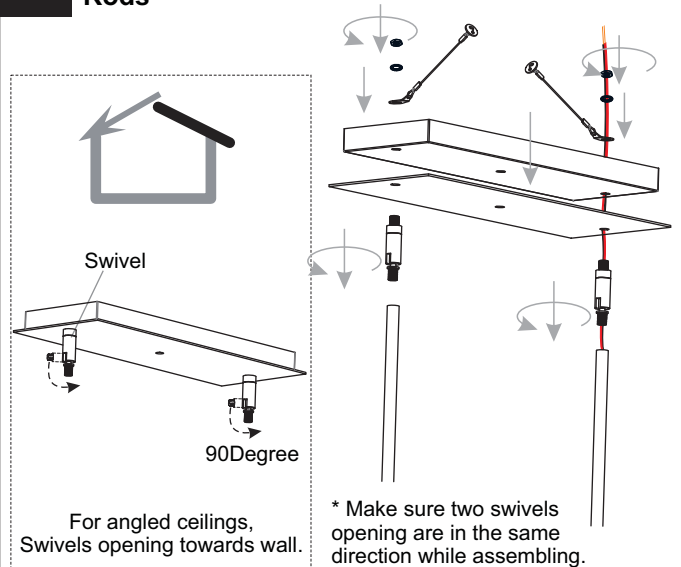
(2) 6"L Rods + (2) 12"L Rods each side.



3 Separate Swivels from Ceiling Canopy



4 Install Swivels and Ceiling Canopy to Upper Rods



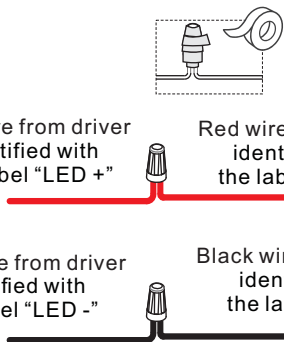
5

Red wire from driver
identified with
the label "LED +"

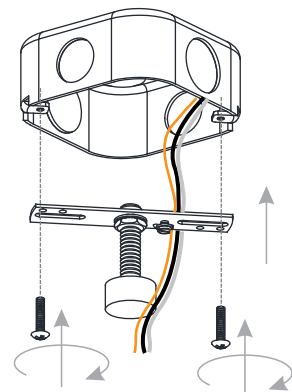
Red wire from fixture
identified with
the label "LED +"

Black wire from driver
identified with
the label "LED -"

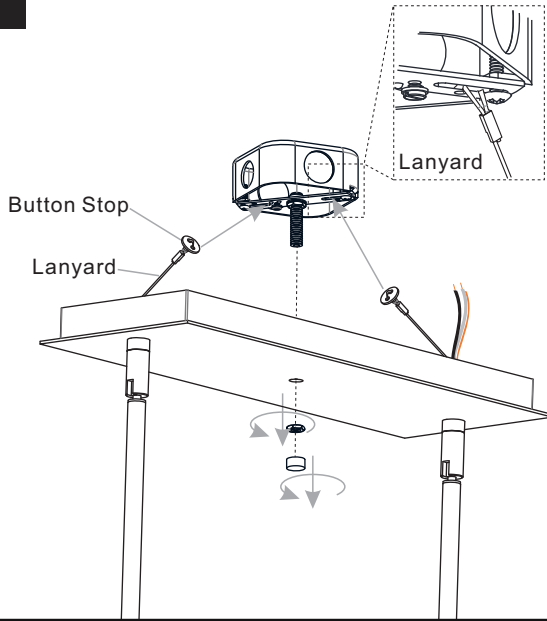
Black wire from fixture
identified with
the label "LED -"



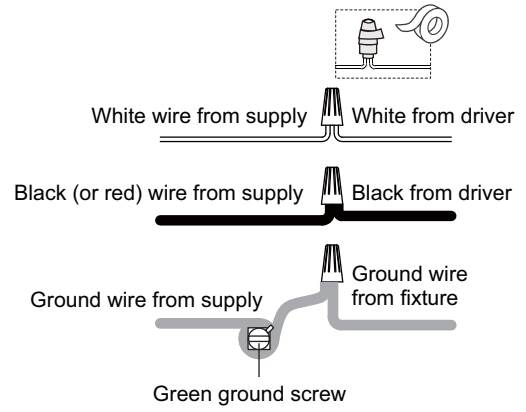
6 Install Crossbar Assembly



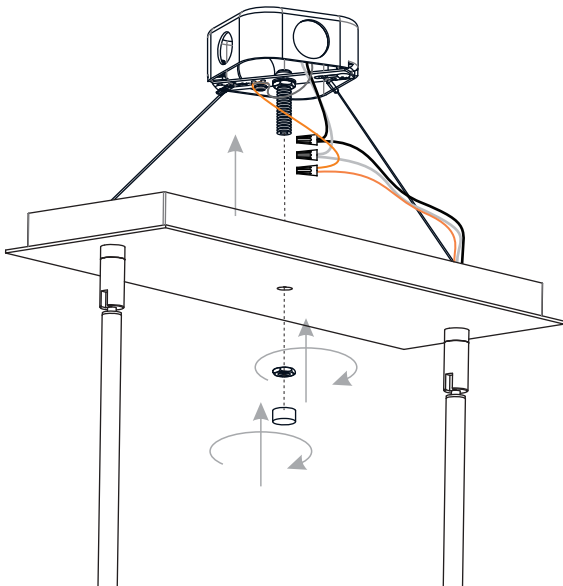
7 Install Lanyards



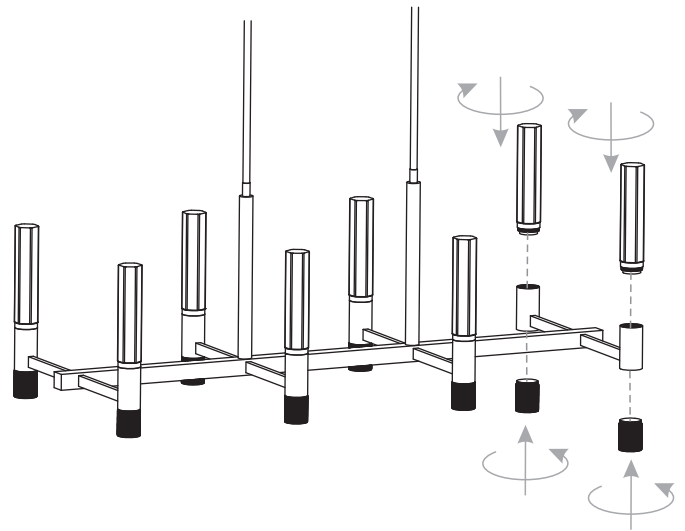
8 Wiring



9 Install Ceiling Canopy



10 Install Decorating and Acrylic rods



Your installation is now complete! Restore electricity and save this sheet for future reference.