

**SAFETY INFORMATION**

Released Date: 2025-09-15

Please read and understand this entire manual before attempting to assemble, install or operate the product.

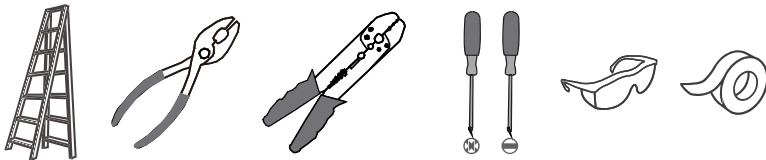
**WARNING**

- RISK OF ELECTRIC SHOCK - Before beginning installation, turn off electricity at the circuit breaker box or the main fuse box.
- RISK OF FIRE - Use bulbs specified by the markings and/or labels on the fixture.

**CAUTION**

- For your safety, read instructions completely before beginning installation.
- If in doubt about electrical installation, consult a licensed electrician.
- Turn off electricity to fixture and allow the bulbs to cool before replacing the bulb(s).
- Do not touch the bulb with bare hands use a cloth or glove.

**TOOLS REQUIRED**

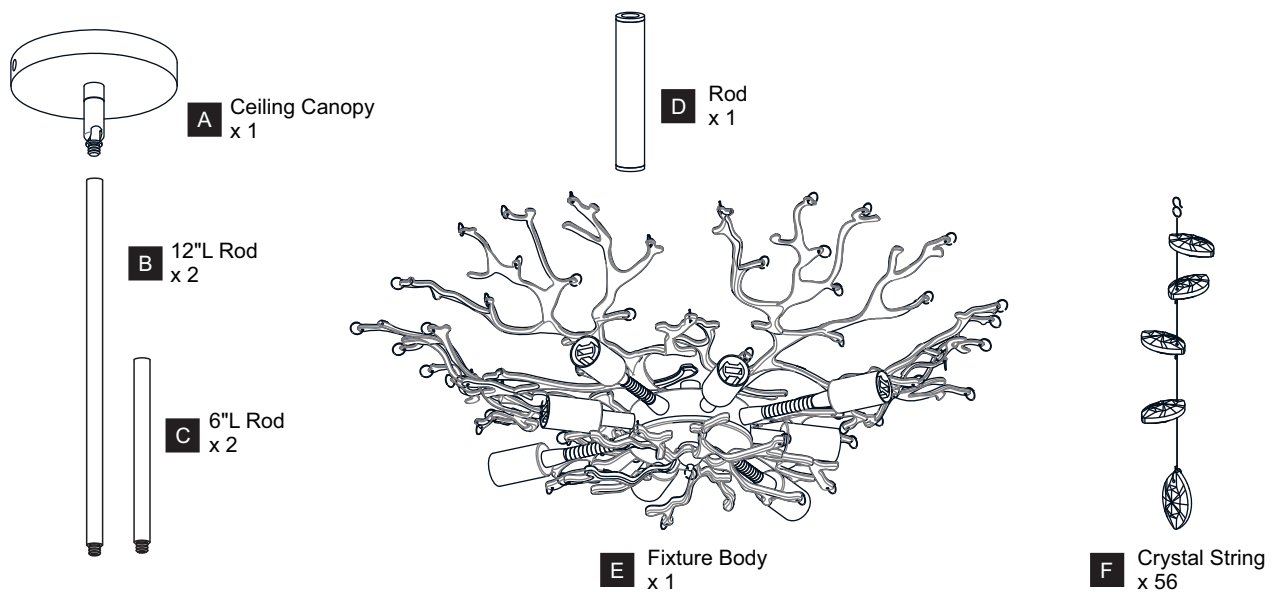


**CARE AND MAINTENANCE**

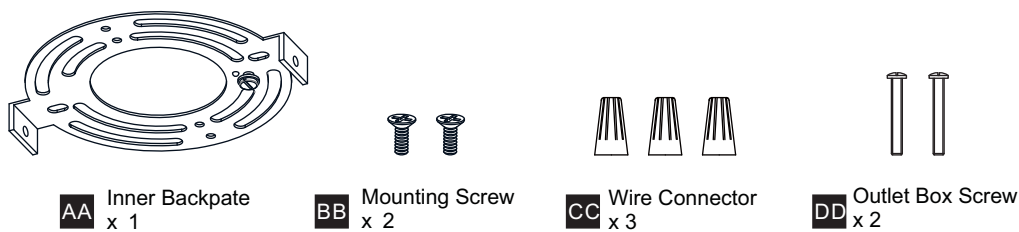
- Wipe clean using soft, dry cloth or static duster. Always avoid using harsh chemicals and abrasives to clean fixture as they may damage the finish.

If you need further assistance call Quozel Customer Care at 1-800-645-3184 (9:00am - 5:00pm EST), or visit us on-line at [www.quezel.com](http://www.quezel.com).

**PACKAGE CONTENTS**



**MOUNTING HARDWARE**



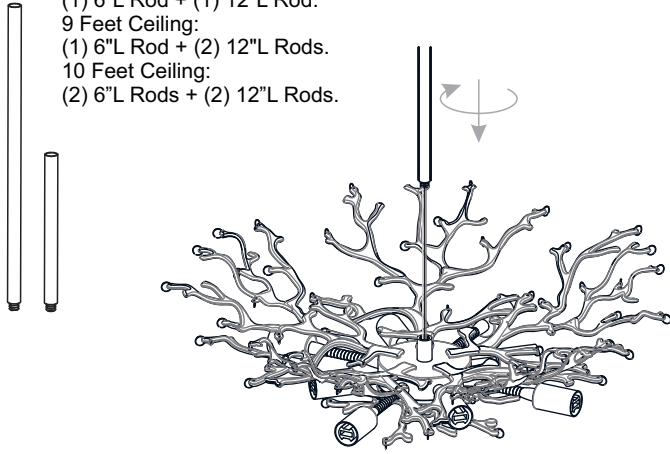
# INSTALLATION

## OPTION 1: PENDANT - PCISO2826BRG, PCISO2826C

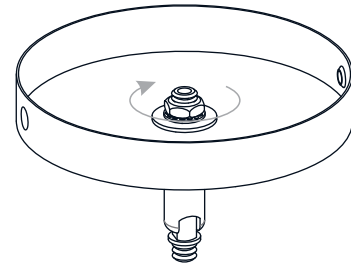
### 1 Install Rods

Optional Rods:

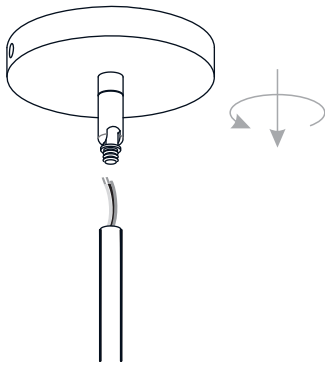
- 8 Feet Ceiling:  
(1) 6"L Rod + (1) 12"L Rod.
- 9 Feet Ceiling:  
(1) 6"L Rod + (2) 12"L Rods.
- 10 Feet Ceiling:  
(2) 6"L Rods + (2) 12"L Rods.



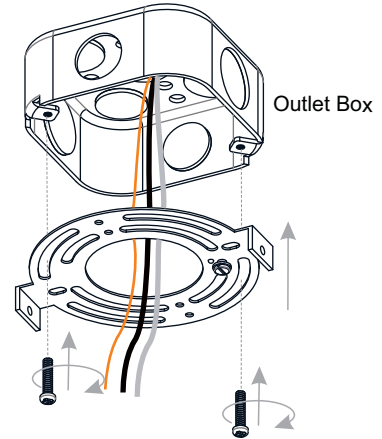
### 2 Tighten Hex Nut Inside of Ceiling Canopy



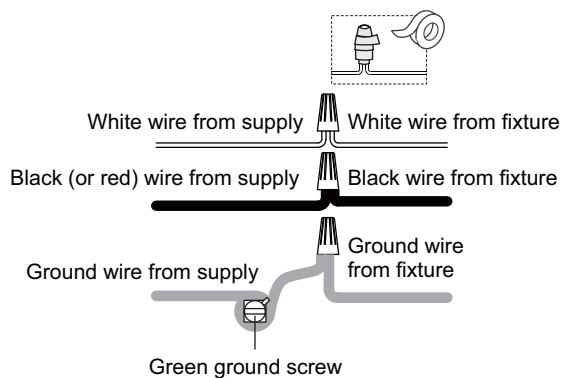
### 3 Install Ceiling Canopy to Upper Rod



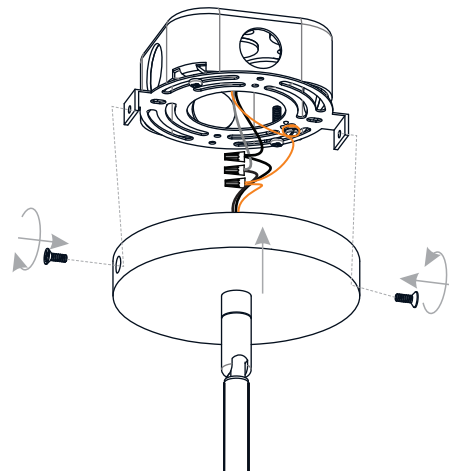
### 4 Install Inner Backplate



### 5 Wiring



### 6 Install Ceiling Canopy to Inner Backplate

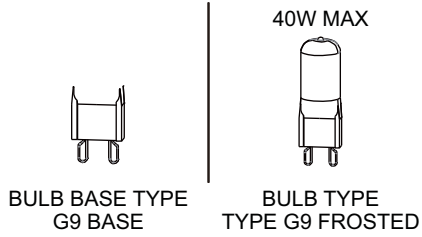


# INSTALLATION

## 7 Install Bulbs

Install eight correct bulbs referring to fixture markings and/or labels for maximum wattage.

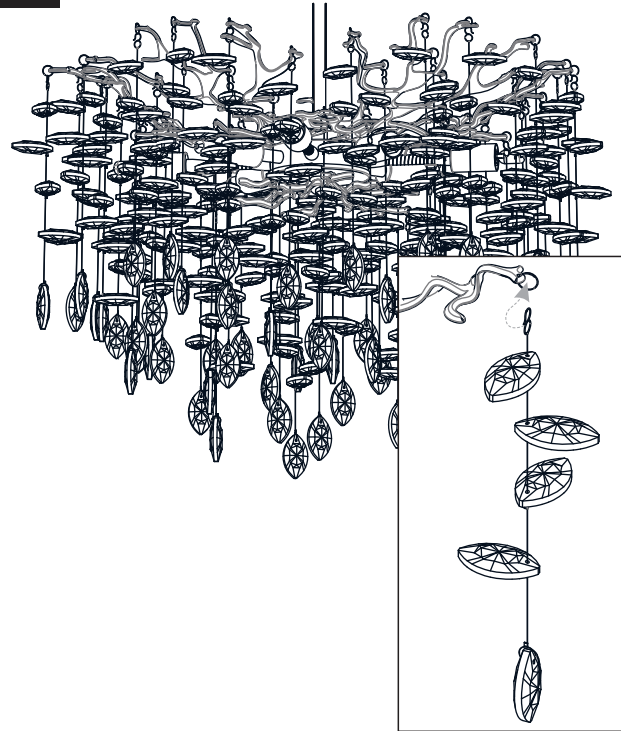
**Recommended Bulb Type (not included):**



\* Do not touch the bulb with bare hands use a cloth or glove.



## 8 Install Crystal Strings

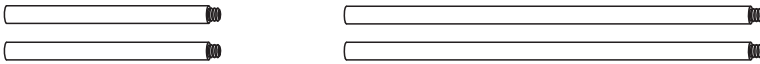


**Your installation is now complete! Restore electricity and save this sheet for future reference.**

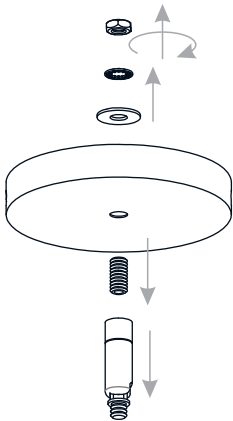
**IMPORTANT:** This CONVERTIBLE fixture can be mounted as pendant light or semi-flush light. **DO NOT CUT SUPPLY WIRES** if you intend to use it as pendant light.

### OPTION 2: SEMI-FLUSH - PCISO1726BRG, PCISO1726C

\* Set aside (2) 6"L Rods and (2) 12"L Rods since they are not required for the semi-flush installation.



### 1 Remove Swivel From Ceiling Canopy

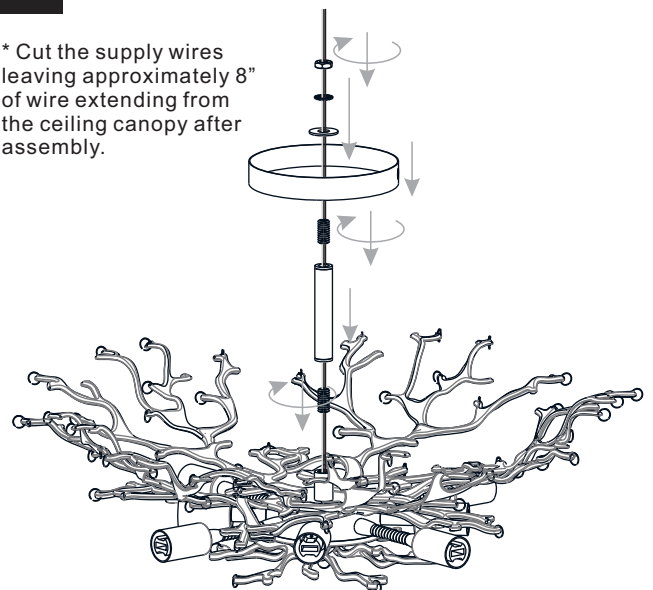


### 2 Remove Nipple From 6"L Rod

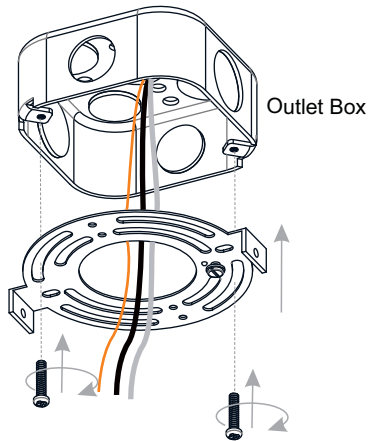


### 3 Install Rod and Ceiling Canopy

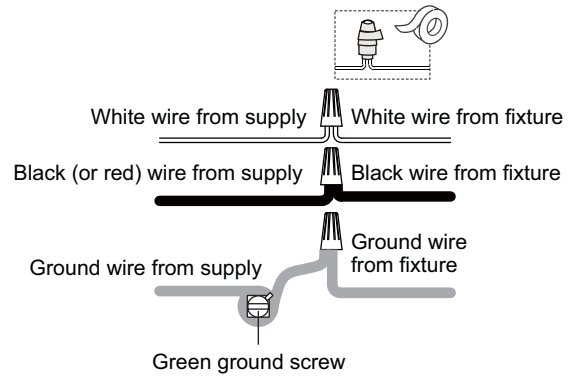
\* Cut the supply wires leaving approximately 8" of wire extending from the ceiling canopy after assembly.



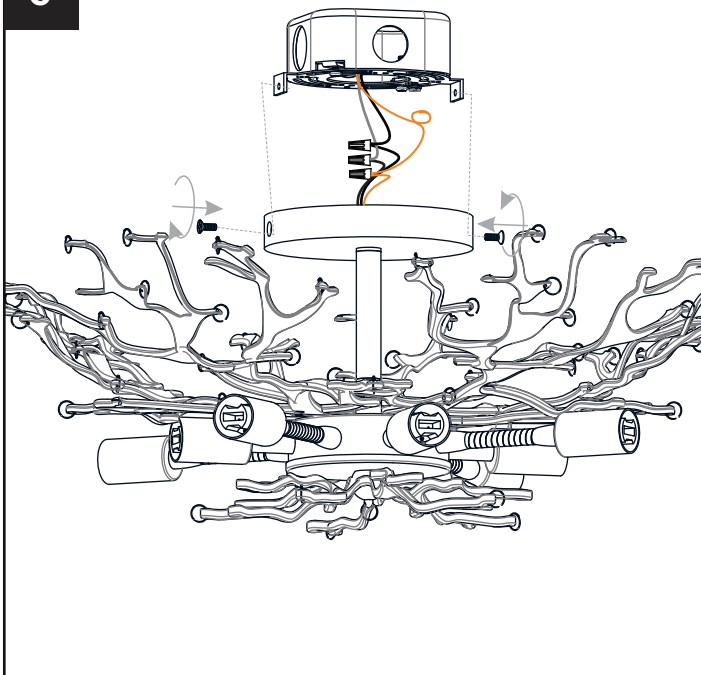
**4 Install Inner Backplate**



**5 Wiring**



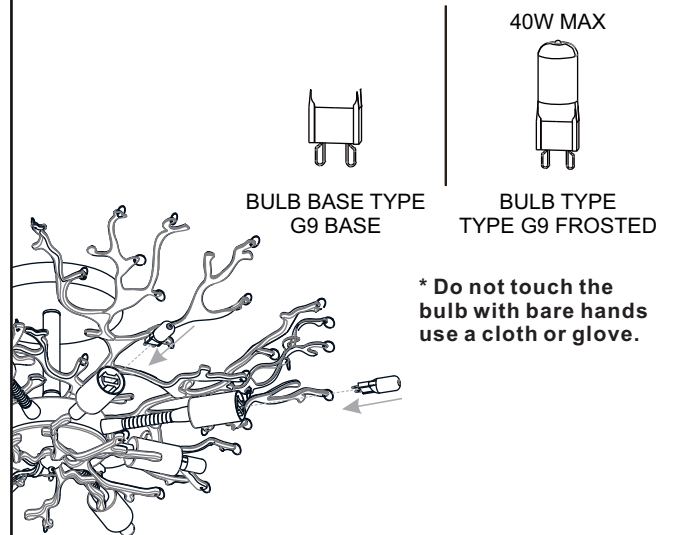
**6 Install Ceiling Canopy to Inner Backplate**



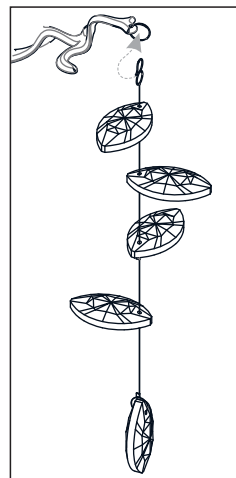
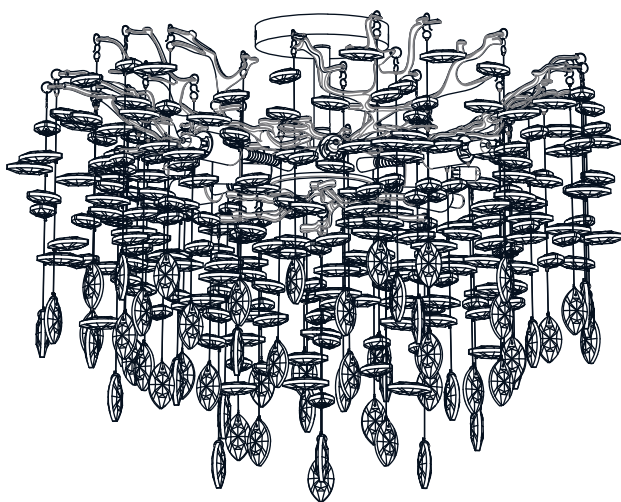
**7 Install Bulbs**

Install eight correct bulbs referring to fixture markings and/or labels for maximum wattage.

**Recommended Bulb Type (not included):**



**8 Install Crystal Strings**



Your installation is now complete! Restore electricity and save this sheet for future reference.