

**SAFETY INFORMATION**

Please read and understand this entire manual before attempting to assemble, install or operate the product.

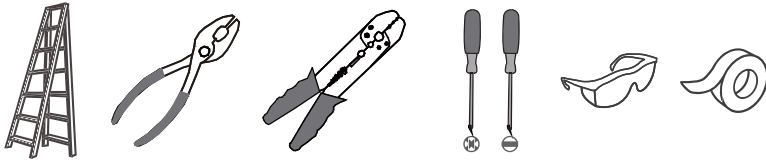
**WARNING**

- RISK OF ELECTRIC SHOCK - Before beginning installation, turn off electricity at the circuit breaker box or the main fuse box.
- RISK OF FIRE - Use bulbs specified by the markings and/or labels on the fixture.
- Use ONLY LED bulbs in this fixture. Incandescent and halogen lamps may cause severe thermal damage.

**CAUTION**

- For your safety, read instructions completely before beginning installation.
- If in doubt about electrical installation, consult a licensed electrician.
- Turn off electricity to fixture before replacing the bulb(s).

**TOOLS REQUIRED**

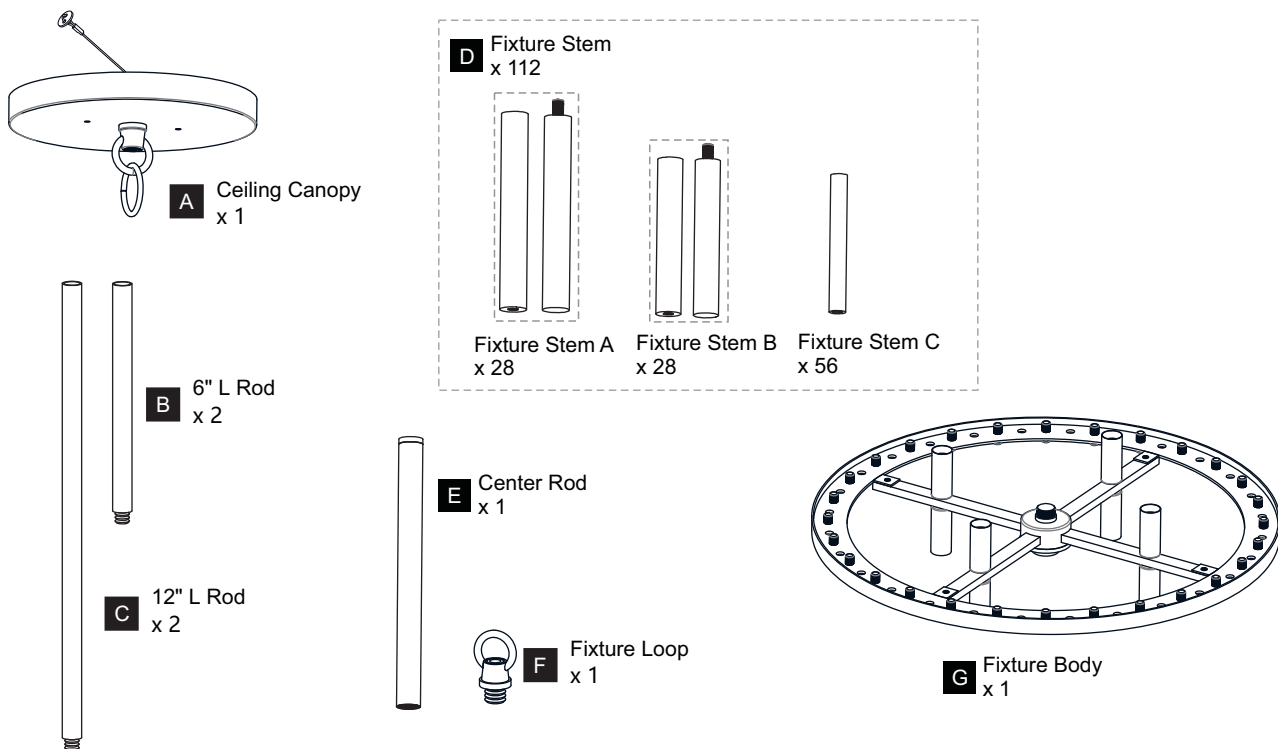


**CARE AND MAINTENANCE**

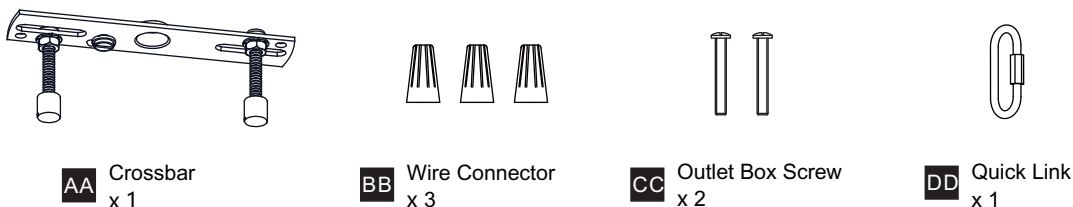
- Wipe clean using soft, dry cloth or static duster. Always avoid using harsh chemicals and abrasives to clean fixture as they may damage the finish.

If you need further assistance call Quozel Customer Care at 1-800-645-3184 (9:00am - 5:00pm EST), or visit us on-line at [www.quozel.com](http://www.quozel.com).

**PACKAGE CONTENTS**

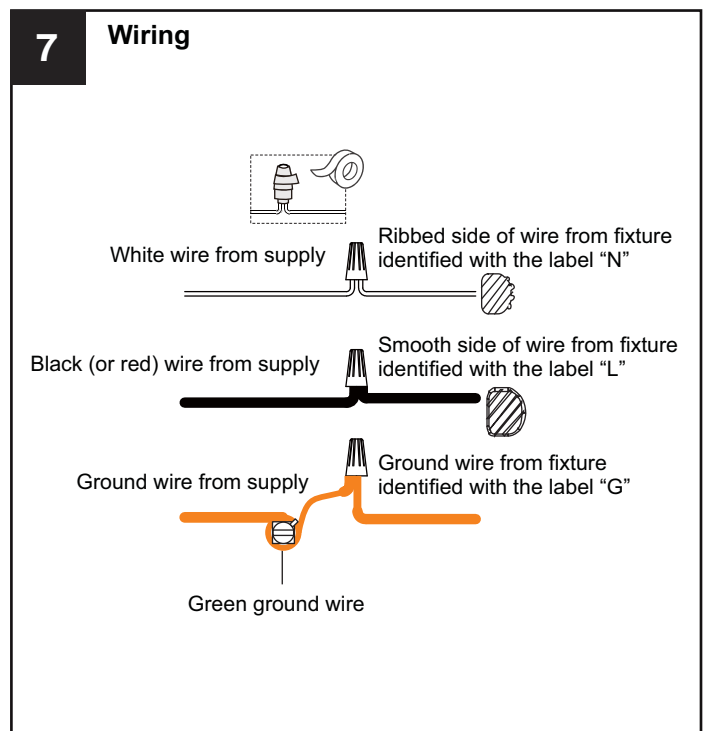
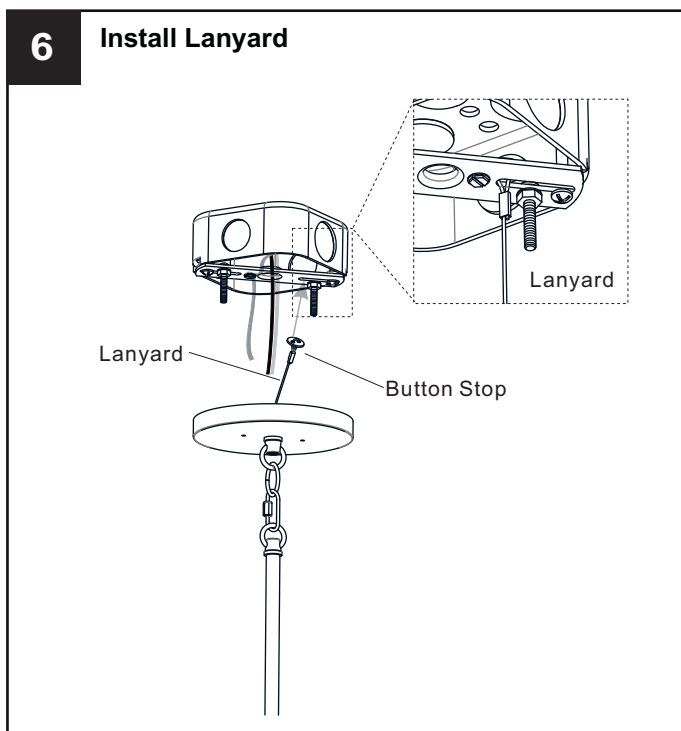
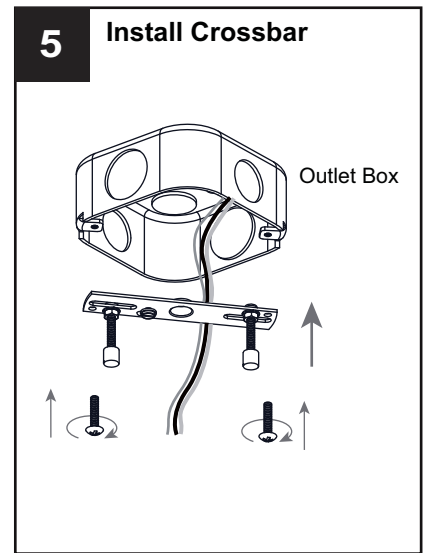
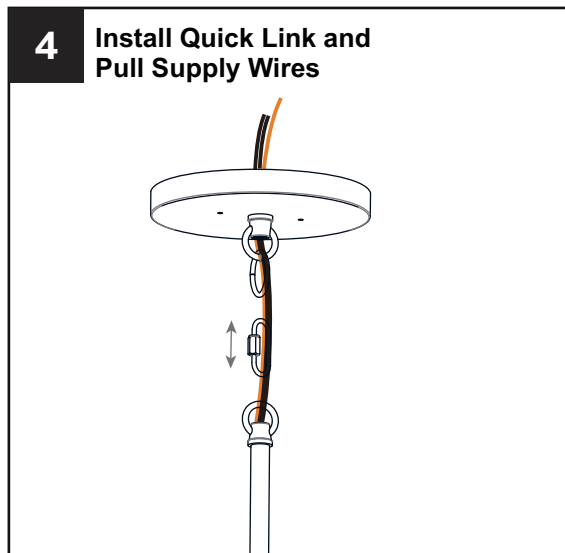
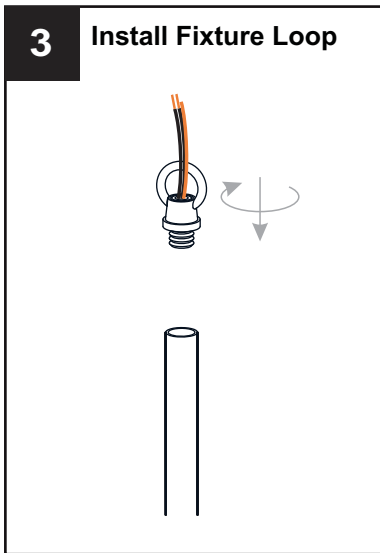
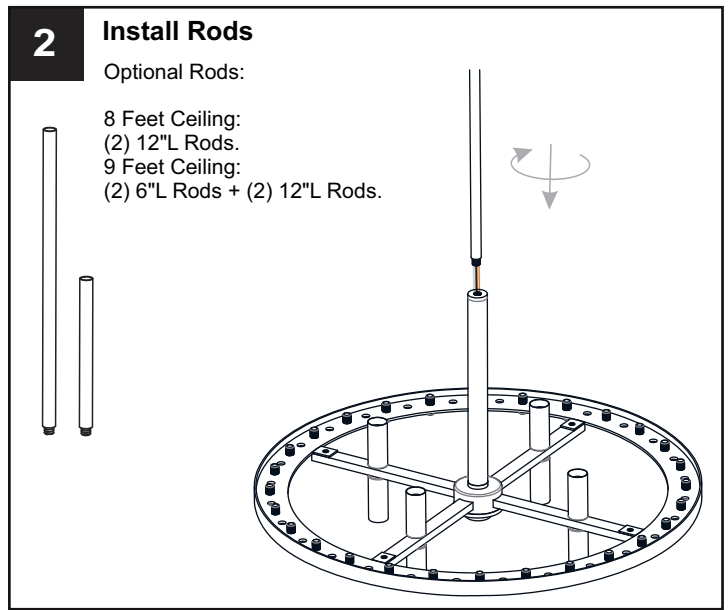
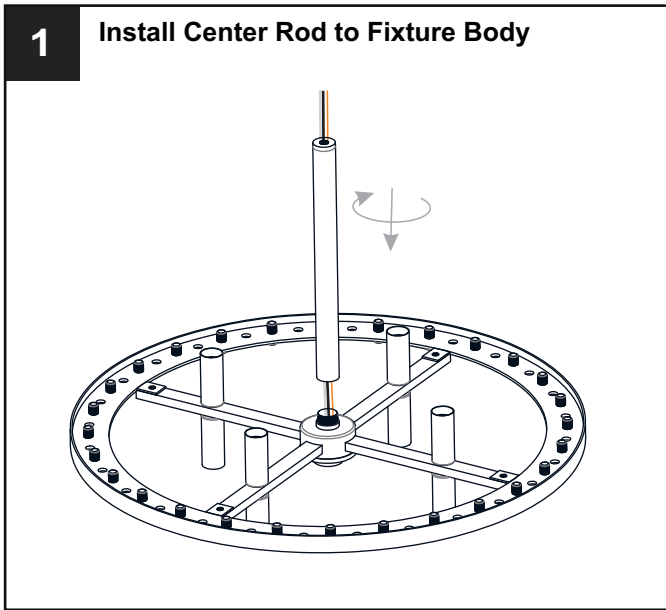


**MOUNTING HARDWARE**

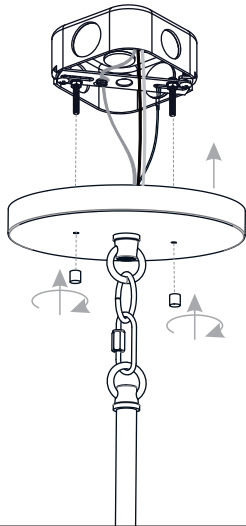


# INSTALLATION

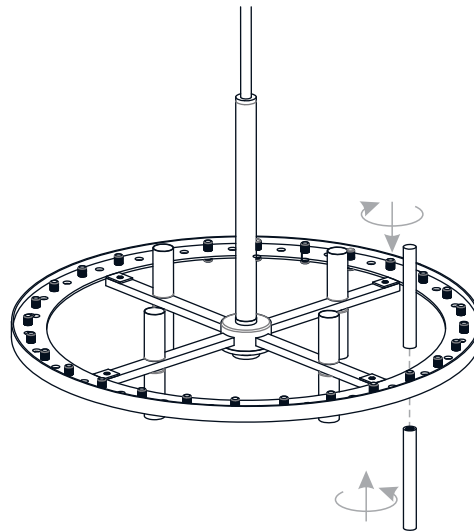
## OPTION 1: PENDANT - RICH2822BRG



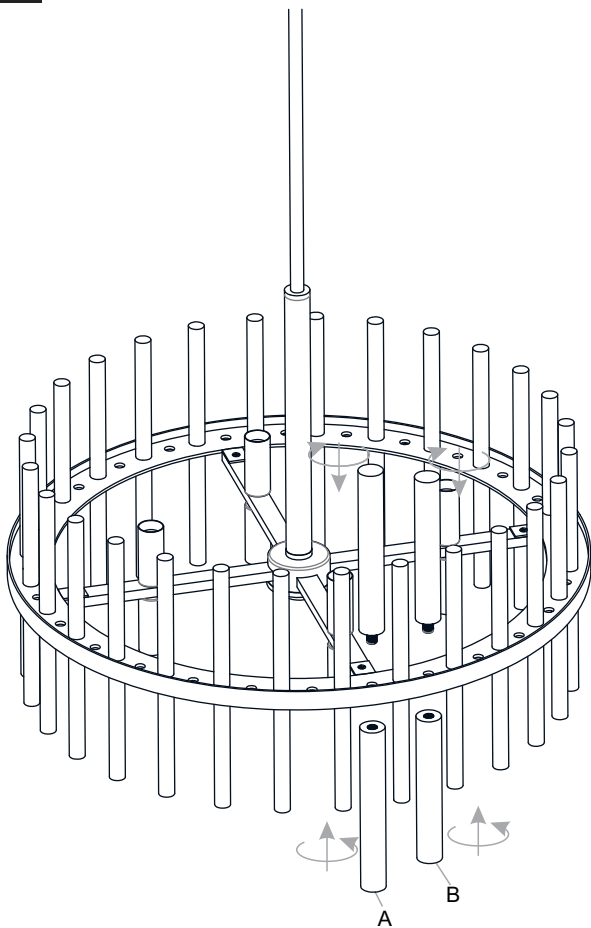
**8 Install Ceiling Canopy to Crossbar**



**9 Install Fixture Stems C**



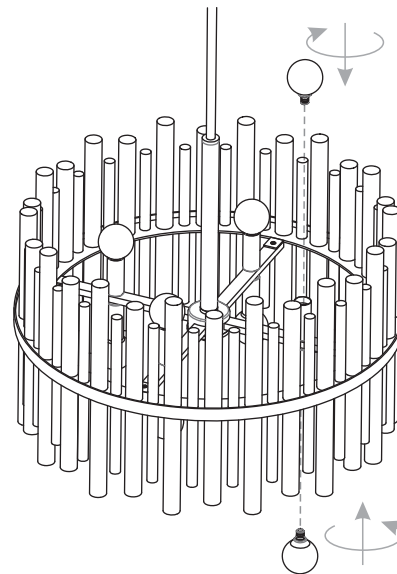
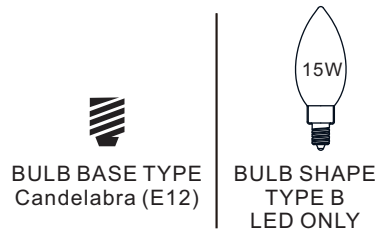
**10 Install Fixture Stems A and Fixture Stems B**



**11 Install Bulbs**

Install eight correct bulbs referring to fixture markings and/or labels for maximum wattage.

**Recommended Bulb type (not included):**



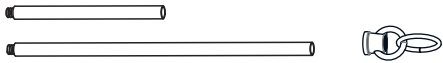
**Your installation is now complete! Restore electricity and save this sheet for future reference.**

# INSTALLATION

**IMPORTANT:** This CONVERTIBLE fixture can be mounted as pendant light or semi-flush light. **DO NOT CUT SUPPLY WIRES** if you intend to use it as pendant light.

## OPTION 2: SEMI-FLUSH - RICH1722BRG

\* Set aside (2) 6"L Rods and (2) 12"L Rods and Fixture Loop, since they are not required for the semi-flush installation.



**1 Remove Fixture Loop**

Fixture Loop

**2 Install Center Rod**

**3 Install Ceiling Canopy to Center Rod**

Supply Wire

\* Cut the supply wires leaving approximately 8" of wire extending from the ceiling canopy after assembly.

**4 Install Crossbar**

Outlet Box

**5 Install Lanyard**

Lanyard

Button Stop

**6 Wiring**

White wire from supply

Ribbed side of wire from fixture identified with the label "N"

Black (or red) wire from supply

Smooth side of wire from fixture identified with the label "L"

Ground wire from supply

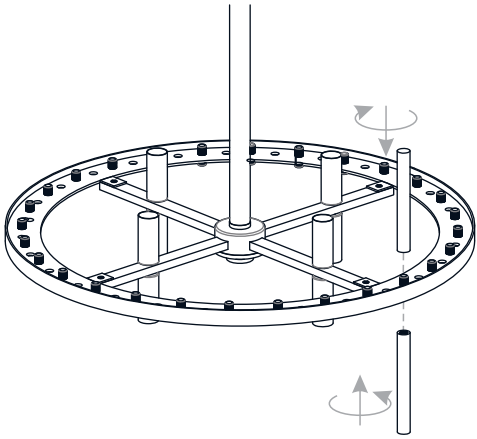
Green ground wire

Ground wire from fixture identified with the label "G"

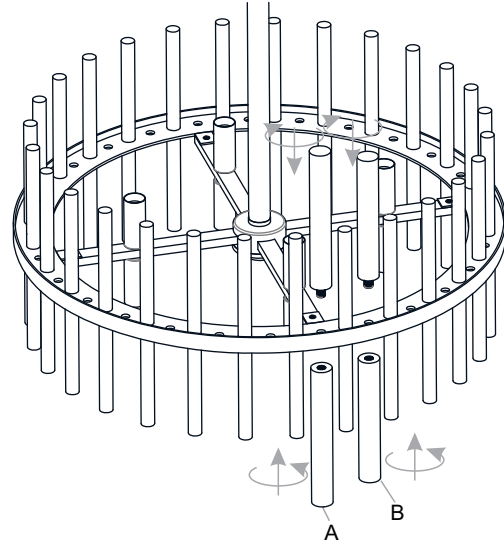
**7 Install Ceiling Canopy to Crossbar**

# INSTALLATION

## 8 Install Fixture Stems C



## 9 Install Fixture Stems A and Fixture Stems B




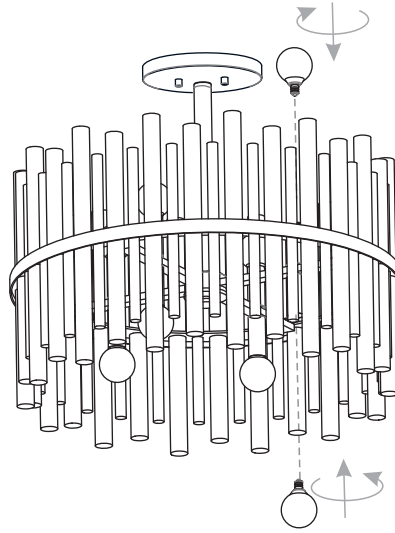
## 10 Install Bulbs

Install eight correct bulbs referring to fixture markings and/or labels for maximum wattage.

**Recommended Bulb type (not included):**

  
BULB BASE TYPE  
Candelabra (E12)

  
15W  
BULB SHAPE  
TYPE B  
LED ONLY



**Your installation is now complete! Restore electricity and save this sheet for future reference.**