

SAFETY INFORMATION

Please read and understand this entire manual before attempting to assemble, install or operate the product.

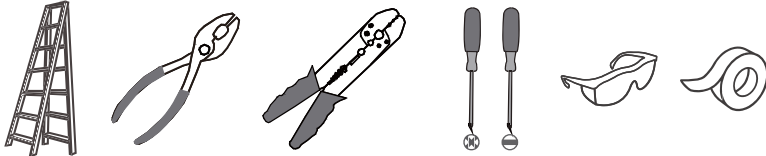
WARNING

- RISK OF ELECTRIC SHOCK - Before beginning installation, turn off electricity at the circuit breaker box or the main fuse box.
- RISK OF FIRE - Use bulbs specified by the markings and/or labels on the fixture.

CAUTION

- For your safety, read instructions completely before beginning installation.
- If in doubt about electrical installation, consult a licensed electrician.
- Turn off electricity to fixture before replacing the bulb(s).

TOOLS REQUIRED

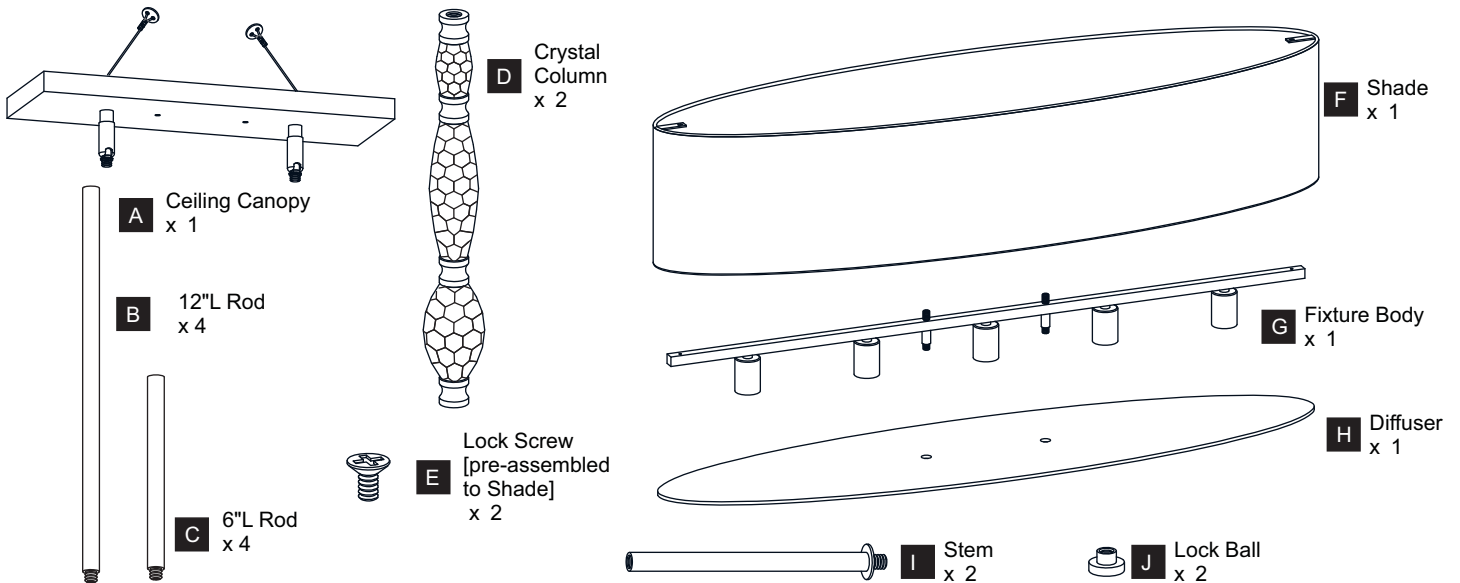


CARE AND MAINTENANCE

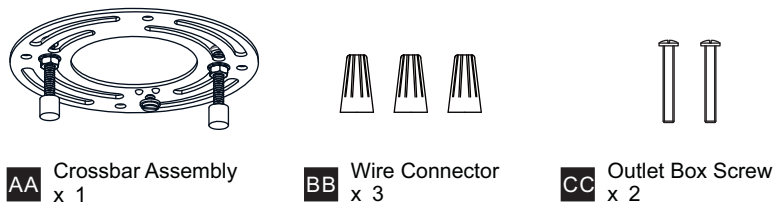
- Wipe clean using soft, dry cloth or static duster. Always avoid using harsh chemicals and abrasives to clean fixture as they may damage the finish.
- When the lamp is repaired, the glass lampshade or decorative part should be removed first.

If you need further assistance call Quoizel Customer Care at 1-800-645-3184 (9:00am - 5:00pm EST), or visit us on-line at www.quoizel.com.

PACKAGE CONTENTS

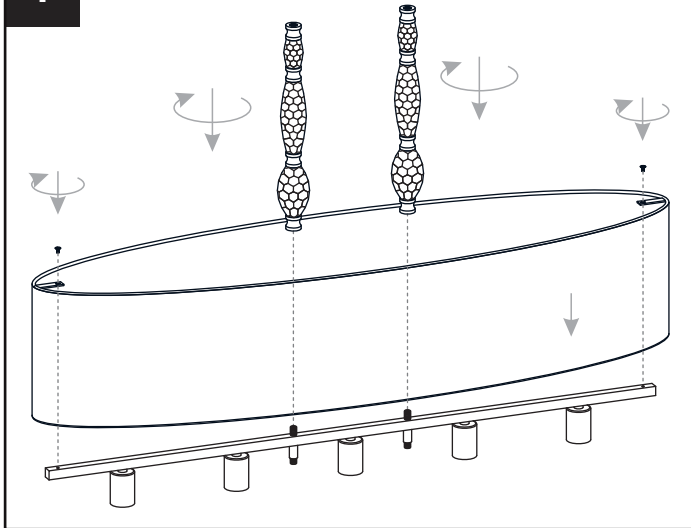


MOUNTING HARDWARE



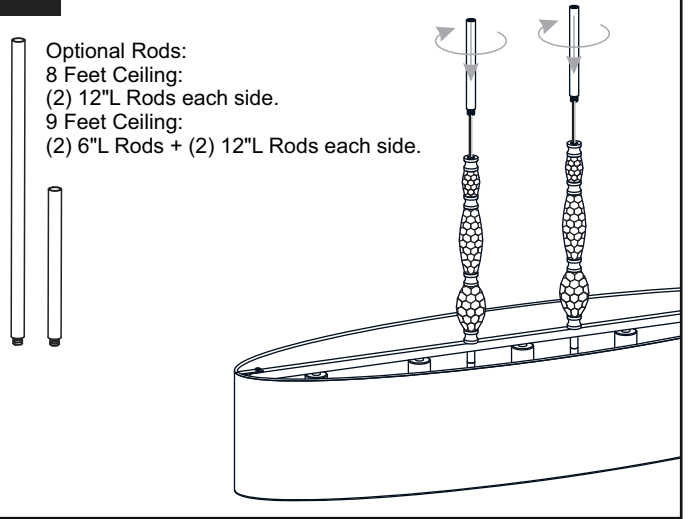
INSTALLATION

1 Install Rods

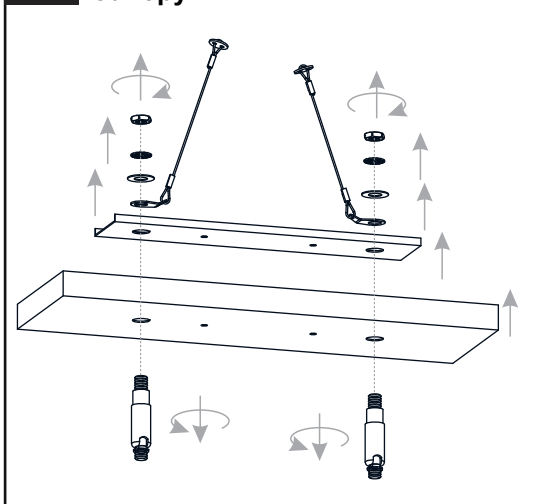


2 Install Rods

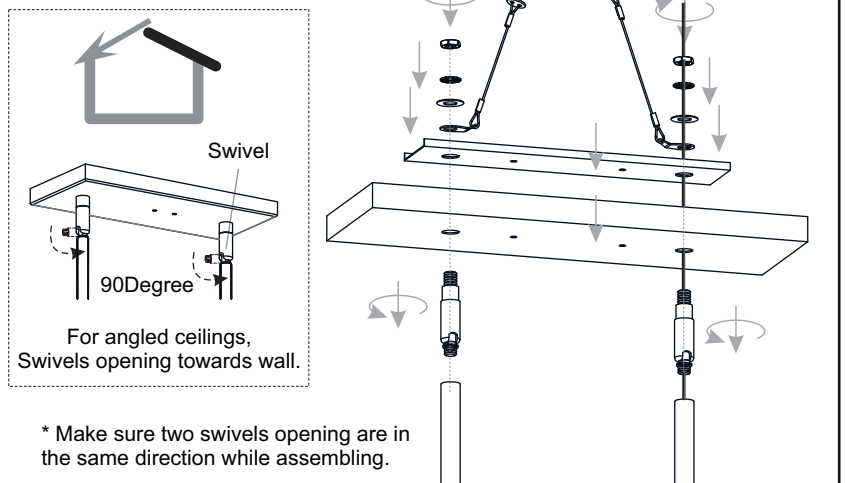
Optional Rods:
8 Feet Ceiling:
(2) 12"L Rods each side.
9 Feet Ceiling:
(2) 6"L Rods + (2) 12"L Rods each side.



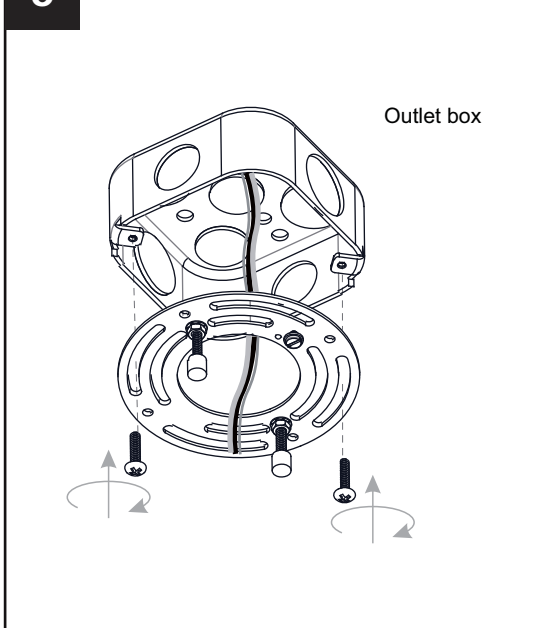
3 Separate Swivels from Ceiling Canopy



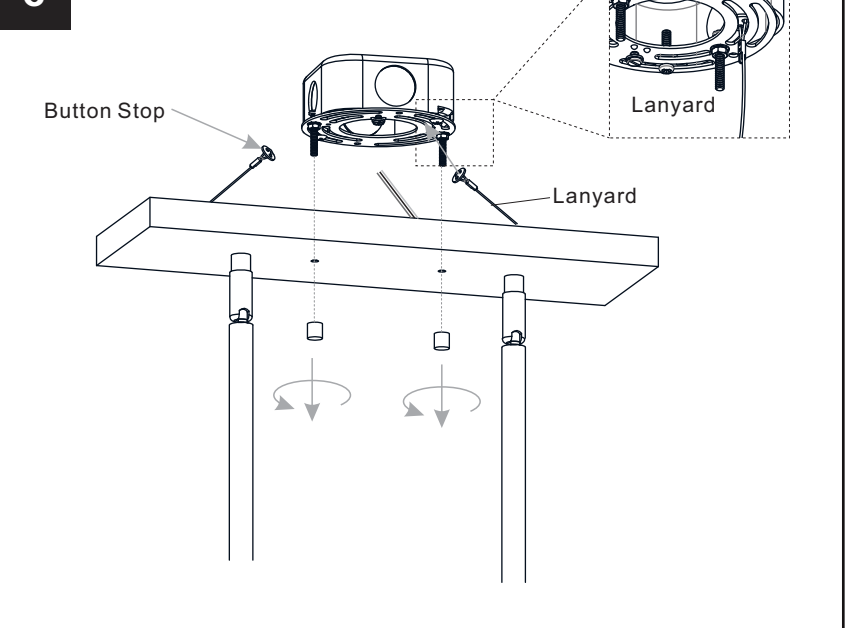
4 Install Swivels and Ceiling Canopy to Upper Rods



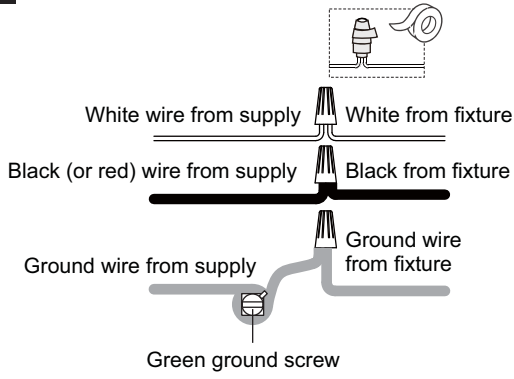
5 Install Crossbar Assembly



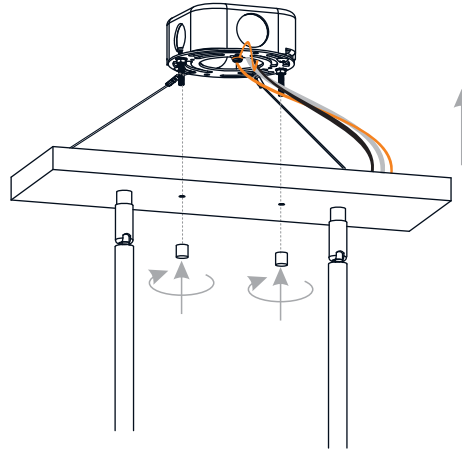
6 Install Lanyards



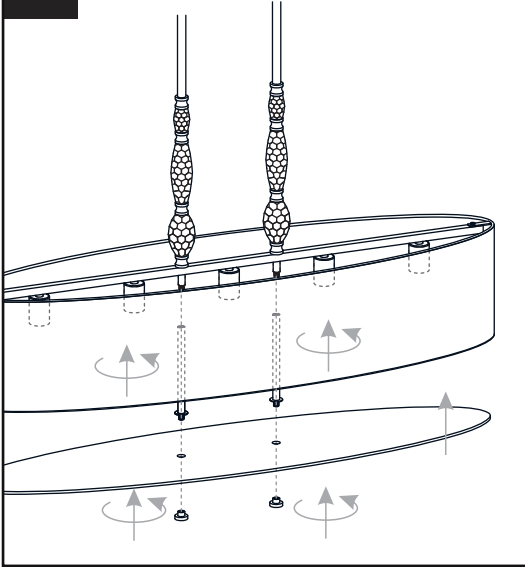
7 Wiring



8 Install Ceiling Canopy



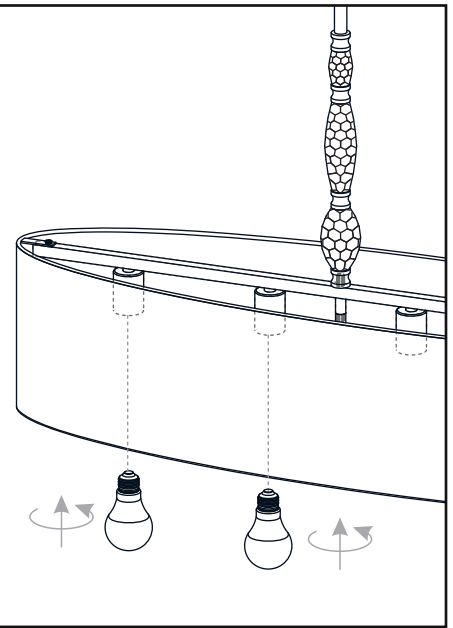
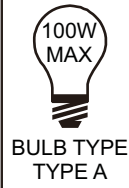
9 Install Diffuser



10 Install Bulbs

Install five correct bulbs referring to fixture markings and/or labels for maximum wattage.

Recommended Bulb Type (not included):



Your installation is now complete! Restore electricity and save this sheet for future reference.