

SAFETY INFORMATION

Released Date: 2025-09-18

Please read and understand this entire manual before attempting to assemble, install or operate the product.

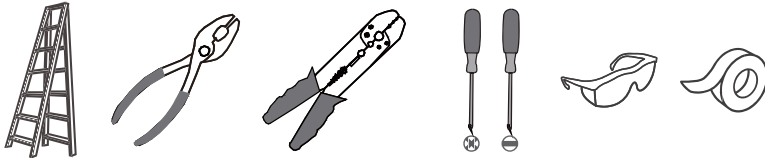
WARNING

- RISK OF ELECTRIC SHOCK - Before beginning installation, turn off electricity at the circuit breaker box or the main fuse box.
- RISK OF FIRE - Use bulbs specified by the markings and/or labels on the fixture.
- Use ONLY LED bulbs in this fixture. Incandescent and halogen lamps may cause severe thermal damage.

CAUTION

- For your safety, read instructions completely before beginning installation.
- If in doubt about electrical installation, consult a licensed electrician.
- Turn off electricity to fixture before replacing the bulb(s).

TOOLS REQUIRED

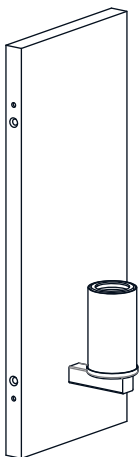


CARE AND MAINTENANCE

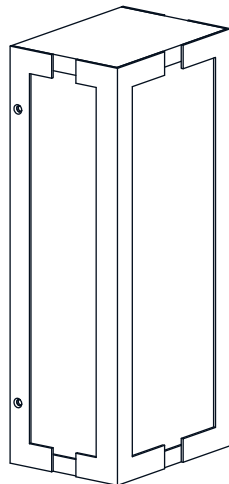
- Wipe clean using soft, dry cloth or static duster. Always avoid using harsh chemicals and abrasives to clean fixture as they may damage the finish.

If you need further assistance call Quozel Customer Care at 1-800-645-3184 (9:00am - 5:00pm EST), or visit us on-line at www.quezel.com.

PACKAGE CONTENTS



A Fixture Body
x 1

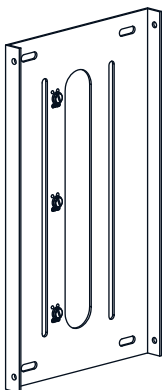


B Cage
x 1



C Optional
Socket Sleeve
x 1

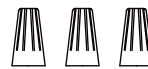
MOUNTING HARDWARE



AA Inner Backplate
x 1



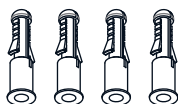
BB Mounting Screw
x 8



CC Wire Connector
x 3



DD Outlet Box Screw
x 2



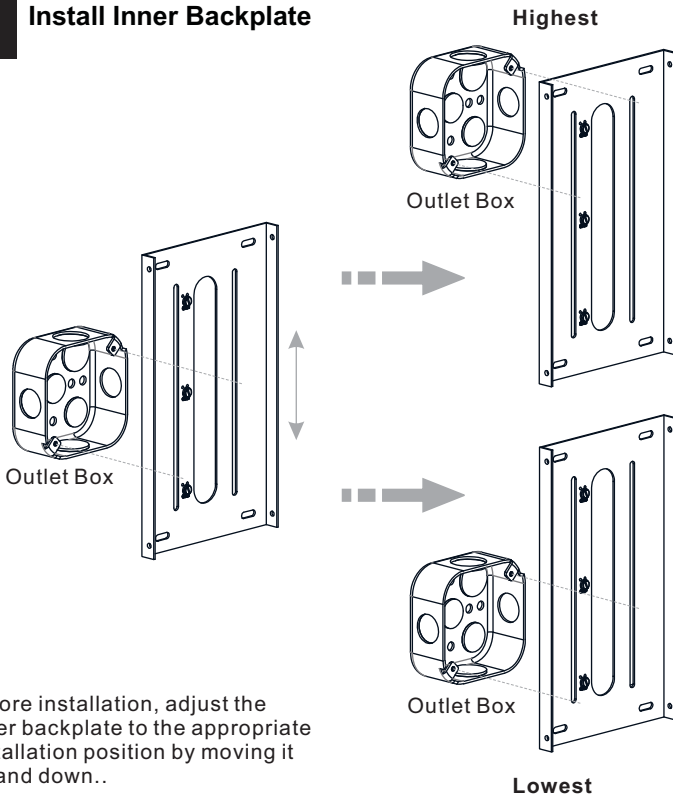
EE Wall Anchor
x 4



FF Screw
x 4

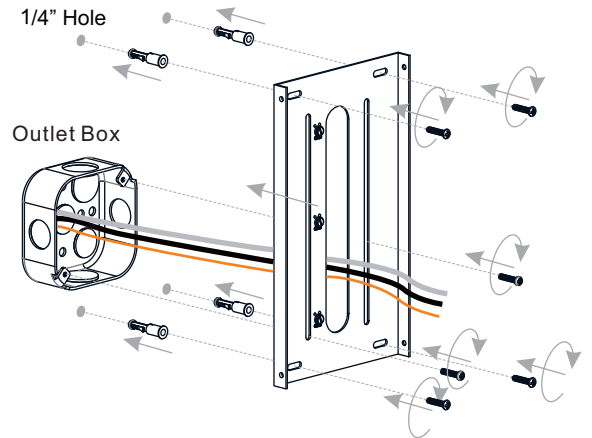
INSTALLATION

1 Install Inner Backplate

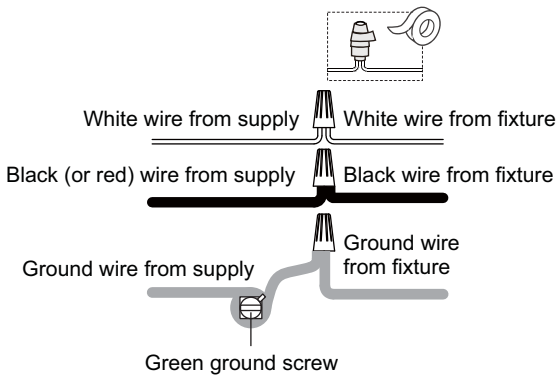


Before installation, adjust the inner backplate to the appropriate installation position by moving it up and down..

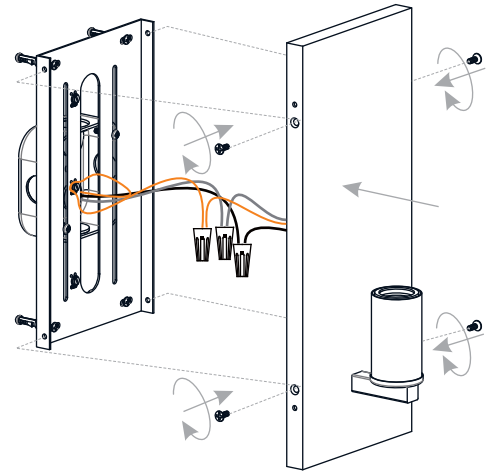
By using drill bit, Drill 1/4" Hole on the ceiling for wall anchors.



2 Wiring



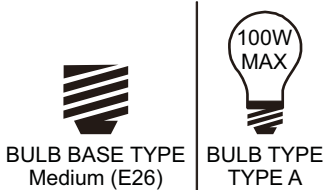
3 Install Fixture Body



4 Install Bulb

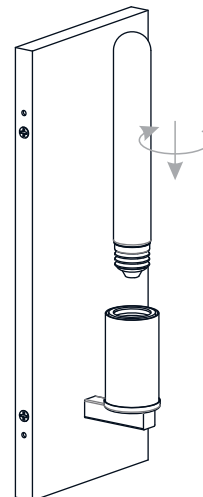
Install the correct bulb referring to fixture markings and/or labels for maximum wattage.

Recommended Bulb Type (not included):



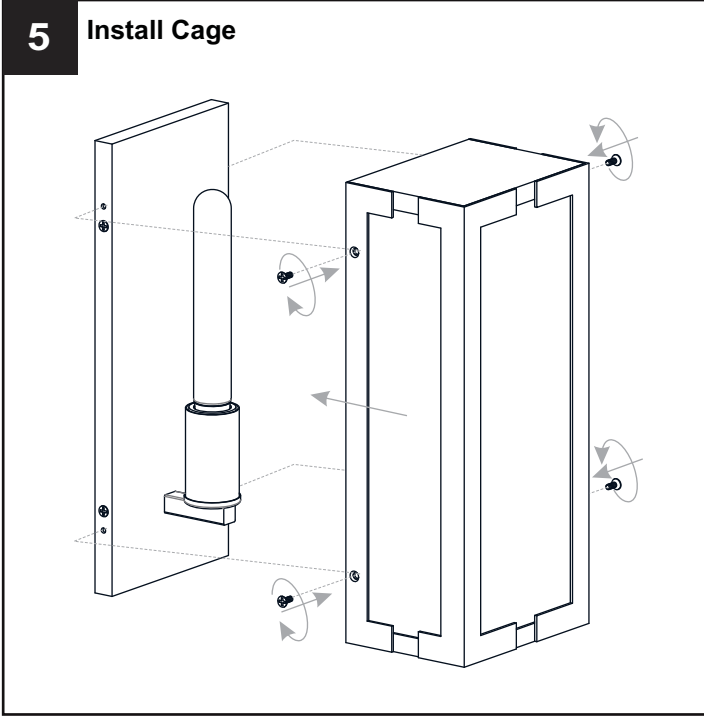
Optional Socket Sleeve

* Remove Socket Sleeve on the socket, replace it with Optional Socket Sleeve if you want.



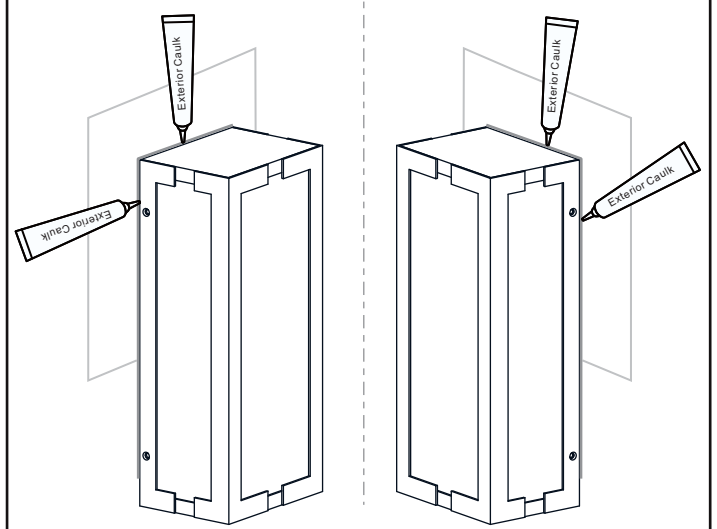
INSTALLATION

5 Install Cage



6 Apply Caulking

* Note: Do NOT caulk the bottom of the backplate to allow moisture to escape.



Your installation is now complete! Restore electricity and save this sheet for future reference.