

Brass Calla Sconce, Small  
*Assembly Guide*



Thank you for choosing In Common With. Please confirm that you received all of the components pictured in this guide, and reach out to us if anything is missing. It's rare, but it happens. We hope you enjoy your fixture. With proper care, it should last a lifetime.

Have questions? Please contact us at [support@incommonwith.com](mailto:support@incommonwith.com).



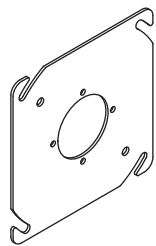
**CAUTION!**

Electrical shock risk. Turn off electrical power at the main fuse box or circuit panel before beginning installation, servicing the light, or installing accessories. We recommend working with a qualified electrician familiar with the type of work you'd like done.

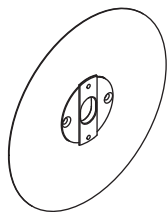
**ATTENTION!**

Risque de choc électrique. Coupez l'alimentation électrique au niveau de la boîte à fusibles principale ou du panneau de circuits avant de commencer l'installation, l'entretien de la lumière ou l'installation d'accessoires. Nous vous recommandons de travailler avec un électricien qualifié familier avec le type de travail que vous souhaitez effectuer.

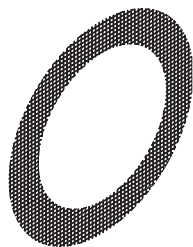
*Brass Calla Sconce, Small with Mud-ring*  
*Components*



Backplate



Mud Ring



Mesh Tape



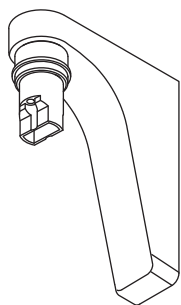
Mounting Bracket



Set Screw



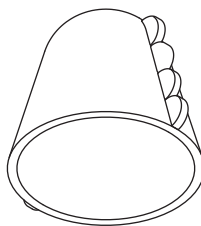
Mounting Screw, Flat Head (2)



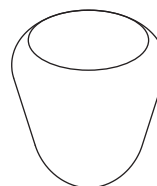
L Base



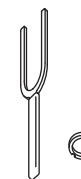
G9 Lightbulb, 4.5W



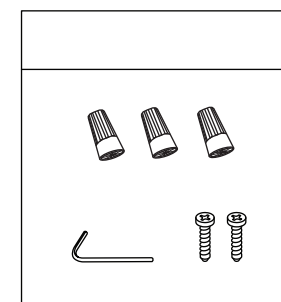
Calla Shade



Diffuser

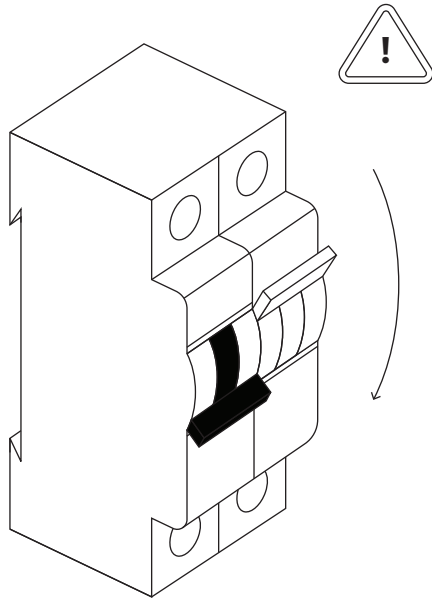


Tool + Washer



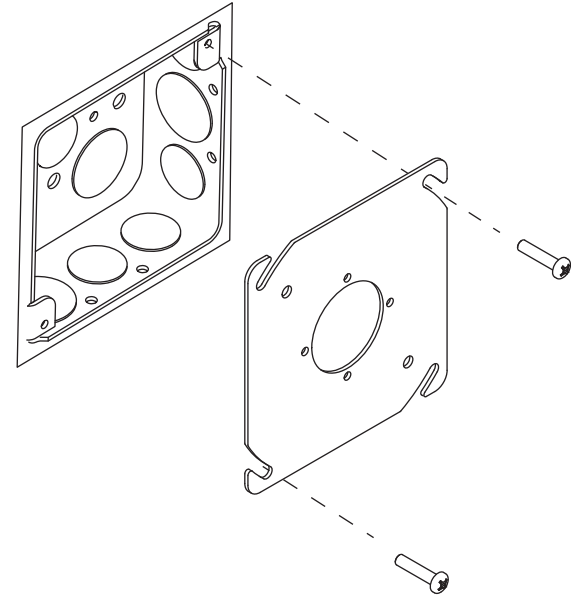
Hardware Pack

### Step 1



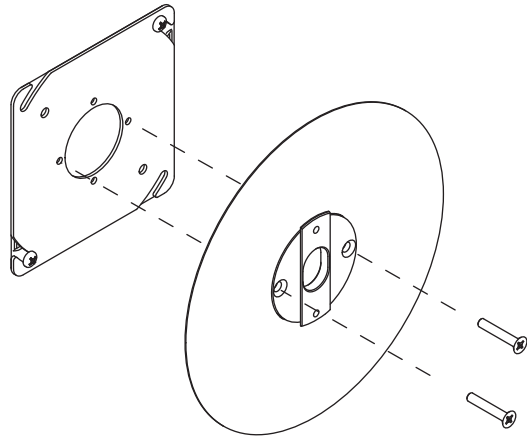
Turn off electrical power at the main fuse box or circuit panel before beginning installation.

### Step 2



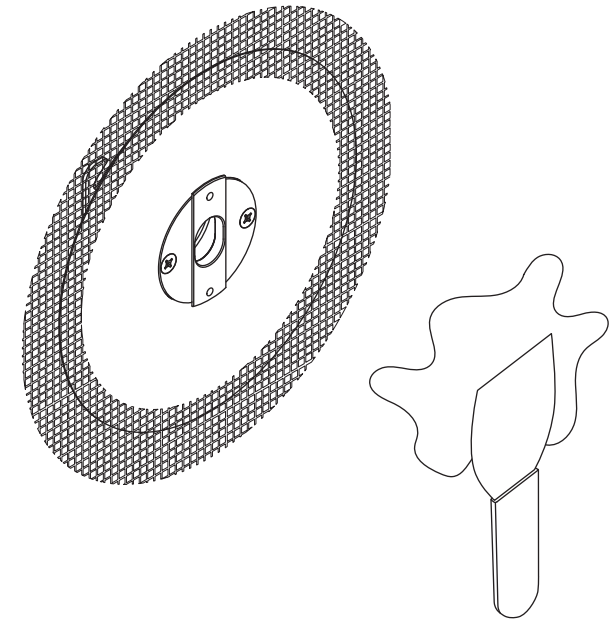
Mount the backplate to the junction box using a phillips head screwdriver to tighten two mounting screws. Make sure the wires from the junction box are still accessible.

### Step 3



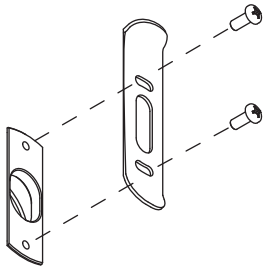
Mount the Mud-ring to the junction box using a phillips head screwdriver to tighten two mounting screws. Make sure the wires from the junction box are still accessible.

### Step 4



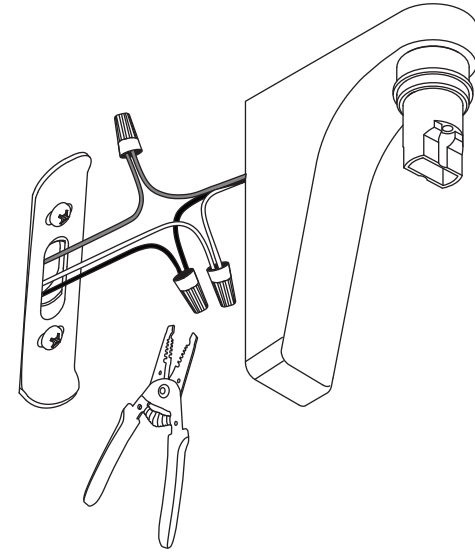
Apply drywall mesh tape, overlapping the perimeter of the mud ring and the wall. Plaster over drywall mesh-tape, mudring, and wall. We recommend applying three coats of plaster, allowing time for the plaster to dry and sanding between coats. Ensure this area painted before proceeding to the next steps.

### Step 5



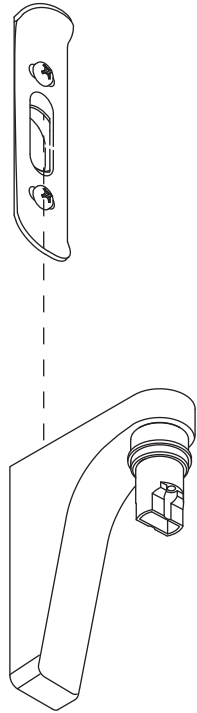
Attach the mounting bracket to the exposed part of the mudring using the additional mounting screws.

### Step 6



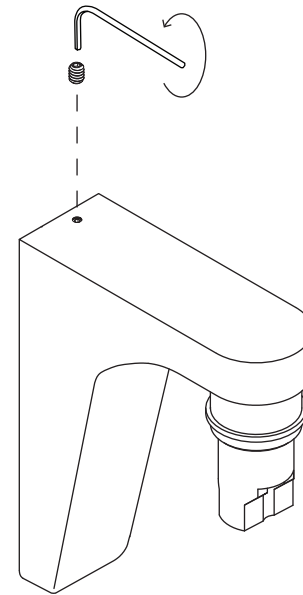
Use the wire nuts to connect the fixture's wires to the corresponding wires from the junction box in the wall or ceiling. White is neutral; Black is live; Green/ Yellow is ground. One ground wire will be attached to the backplate, the other ground wire should come from the junction box. If needed use a wire stripper to remove 3/8" of the insulation from each wire before inserting them into the corresponding wago clip.

*Step 7*



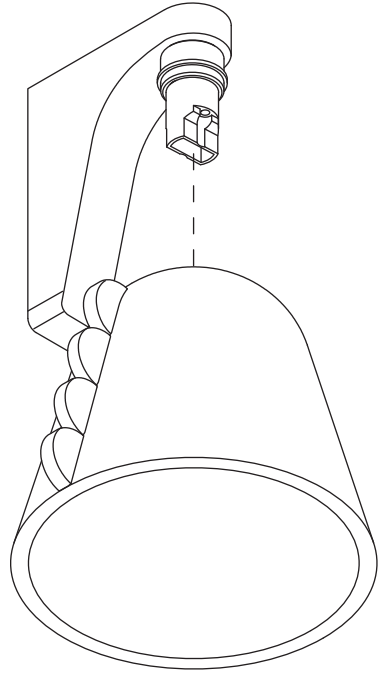
Slide the L base over the mounting bracket.

*Step 8*



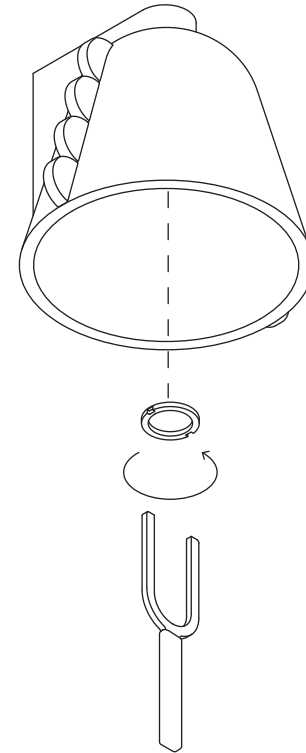
Secure using the provided base screws.

*Step 9*



Carefully slide the Calla shade over the socket.

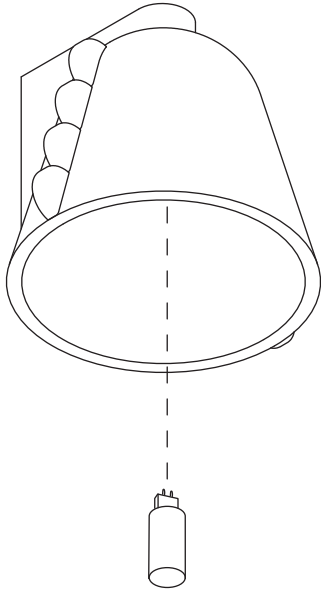
*Step 10*



Secure the shade into place using the washer and provided tool.

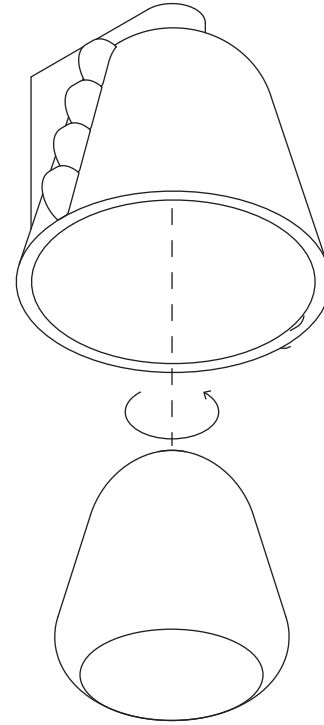


*Step 11*



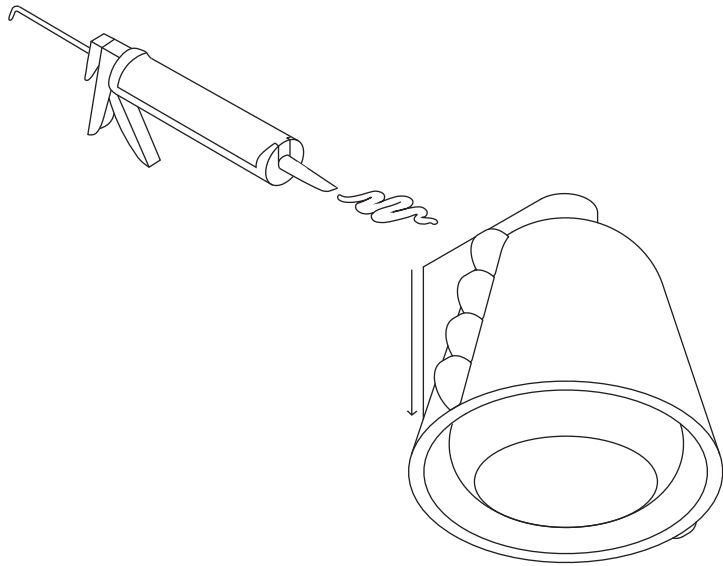
Push included bulb into socket.

*Step 12*



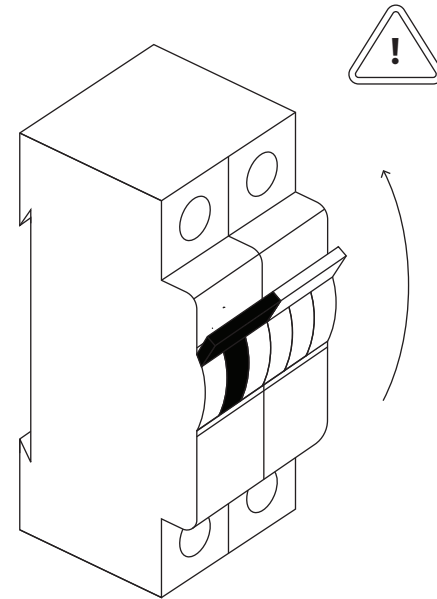
Thread the diffuser over the bulb.

### Step 13



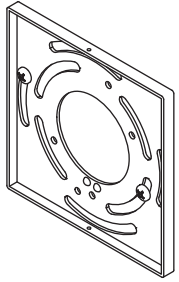
If assembling the Calla Sconce outdoors, first consult with a professional contractor to ensure proper installation. Once approved, carefully apply a bead of silicone caulk between the L- base and the outdoor wall from the top- down. First apply on one side, then on the other. The underside of the light should not be sealed to allow moisture to escape. Smooth the silicone around the light using your finger freshly dipped in a bowl of water.

### Step 14



Turn the power back on at the main fuse box or circuit panel you disabled before installation. Turn on the light :)

*Calla Sconce, Brass with Backplate*  
*Components*



Backplate



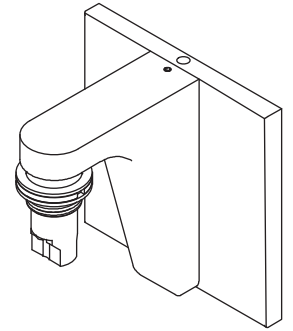
Mounting Bracket



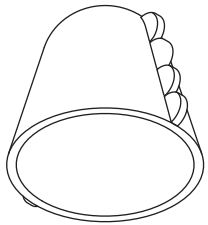
Canopy Screws (2)



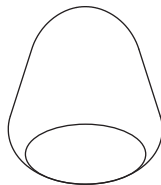
G9 Lightbulb, 4.5W



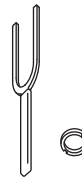
L Base with Backplate



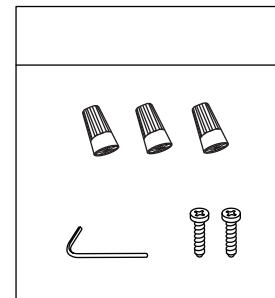
Calla Shade



Diffuser

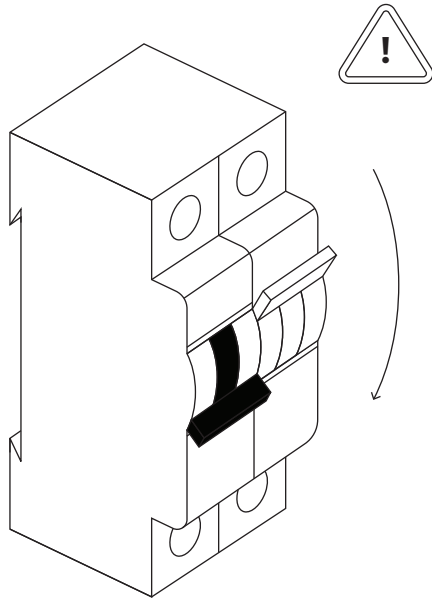


Tool + Washer



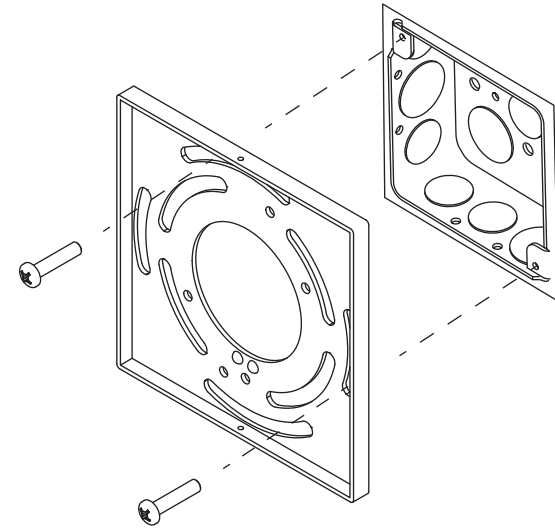
Hardware Pack

### Step 1



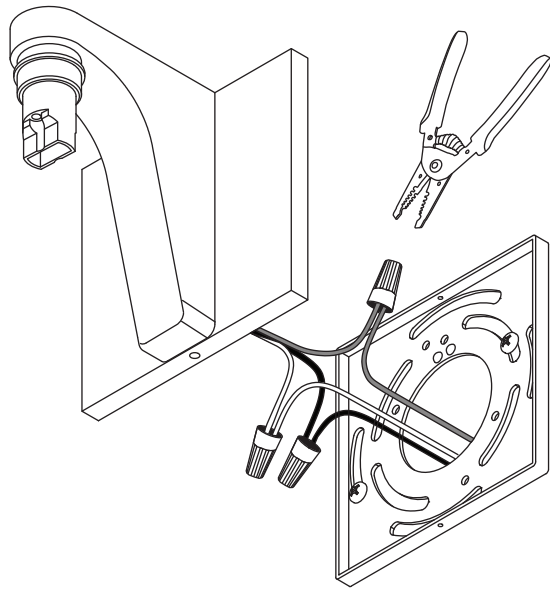
Turn off electrical power at the main fuse box or circuit panel before beginning installation.

### Step 2



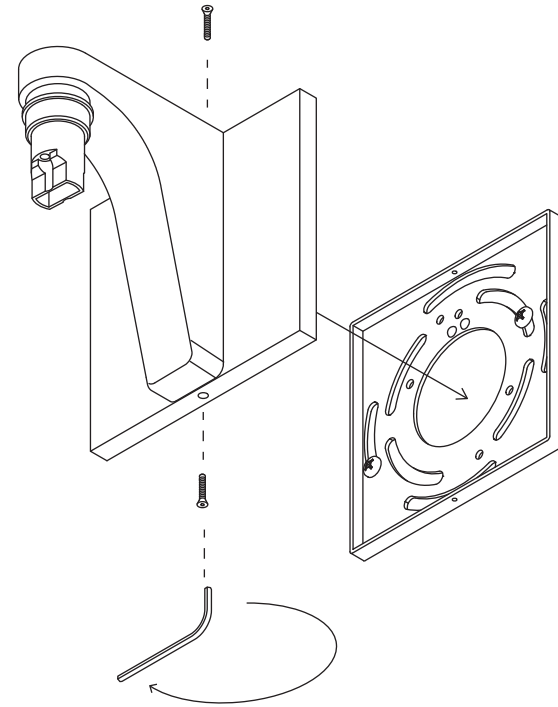
Mount the backplate to the junction box using a phillips head screwdriver to tighten two mounting screws. Make sure the wires from the junction box are still accessible.

### Step 3



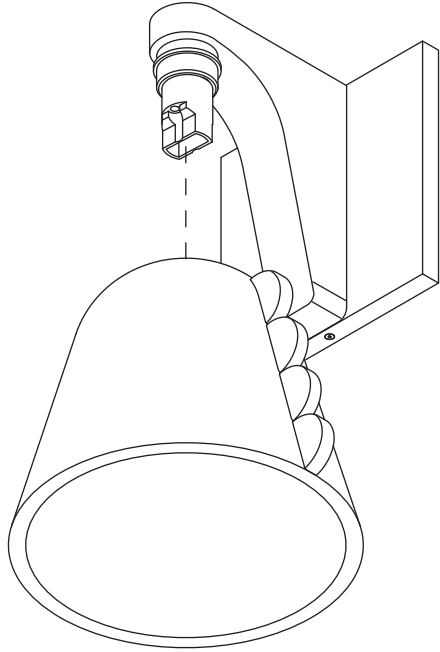
Use the wire nuts to connect the fixture's wires to the corresponding wires from the junction box in the wall or ceiling. White is neutral; Black is live; Green/ Yellow is ground. One ground wire will be attached to the backplate, the other ground wire should come from the junction box. If needed use a wire stripper to remove 3/8" of the insulation from each wire before inserting them into the corresponding wago clip .

### Step 4



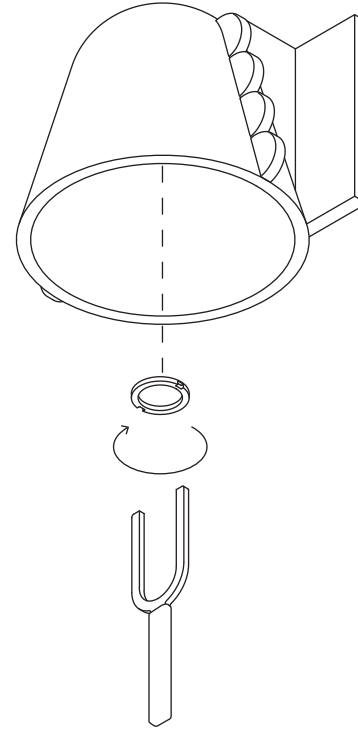
Align the holes of the backplate with the holes of the canopy cover. Secure them in place with hex key.

*Step 5*



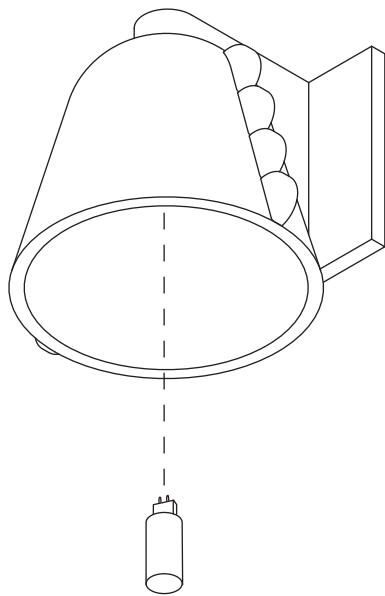
Carefully slide the Calla shade over the socket

*Step 6*



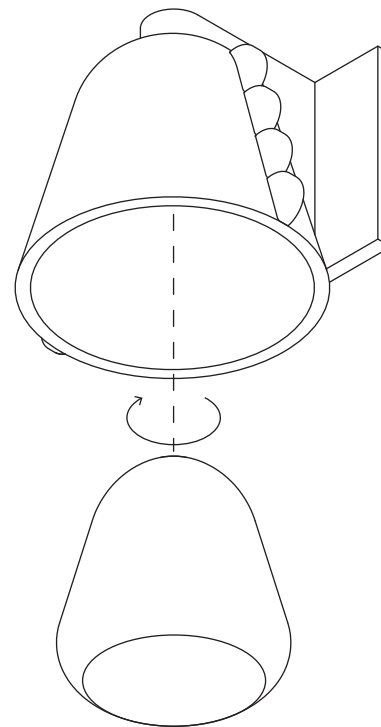
Secure the shade into place using the washer and provided tool.

*Step 7*



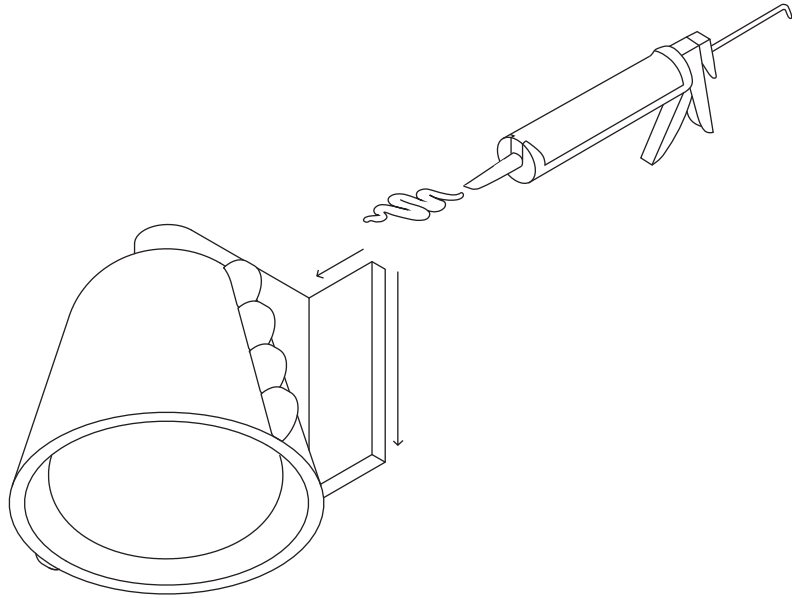
Push included bulb into socket.

*Step 8*



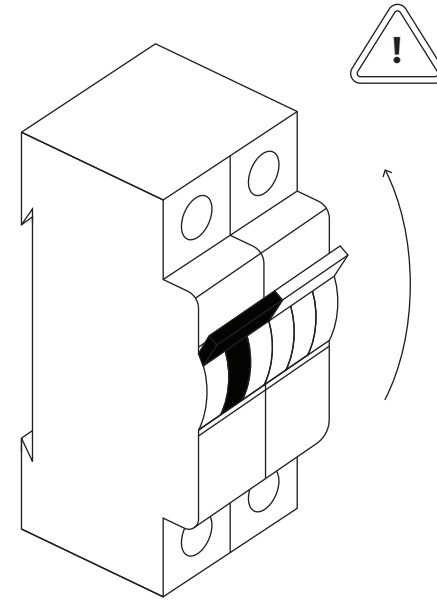
Thread the diffuser over the bulb. Turn the power back on at the main fuse box or circuit panel you disabled before installation.

### Step 9



If assembling the Calla Sconce outdoors, carefully apply a bead of silicone caulk between the canopy cover and the outdoor wall from the top- down. First apply on one side, then on the other. The underside of the light should not be sealed to allow moisture to escape. Smooth the silicone around the light using your finger freshly dipped in a bowl of water.

### Step 10



Turn the power back on at the main fuse box or circuit panel you disabled before installation. Turn on the light :)



## *Care Instructions*

Never use scouring pads or abrasive cleaning solutions. If it comes in a bottle, it is bad for your fixture. Instead, we recommend using soft microfiber cloths, which are gentler on our products and the planet.

For Metal: Wipe with a damp or dry microfiber cloth. Please note that our brass is unlaquered, and will darken naturally over time.

For Glass: Wipe clear or colored glass with a damp microfiber cloth. For sandblasted or etched glass, use a dry microfiber cloth. Removable glass shades can be washed carefully in a sink using warm or hot water.

For Ceramic: Wipe with a damp microfiber cloth. Do not submerge in water.

## *Return Policy*

We accept returns for store credit only, minus a 15% restocking fee. We do not accept returns on pieces from the Handmade, Disc, Terra, or Flora series, on the Ceramic or Colored Glass Up Down Sconces, or on items that are not in their original condition. Custom and Rush orders are final sale. Please note that shipping charges are non-refundable.

To request a return, email [sales@incommonwith.com](mailto:sales@incommonwith.com) within ten days of receiving your order. Requests must be approved before a return can be processed. Requests made after ten days will not be accepted.

All products that come in their own box, including but not limited to light bulbs and accessories, must be returned in their original, undamaged box as this is considered part of the product. Once installed, products are no longer eligible for return.

We reserve the right to reject any returned items that do not meet the above requirements. If your return is rejected you will be notified via email.