

Calla Petite Pendant
Assembly Guide



Thank you for choosing In Common With. Please confirm that you received all of the components pictured in this guide, and reach out to us if anything is missing. It's rare, but it happens. We hope you enjoy your fixture. With proper care, it should last a lifetime.

Have questions? Please contact us at support@incommonwith.com.



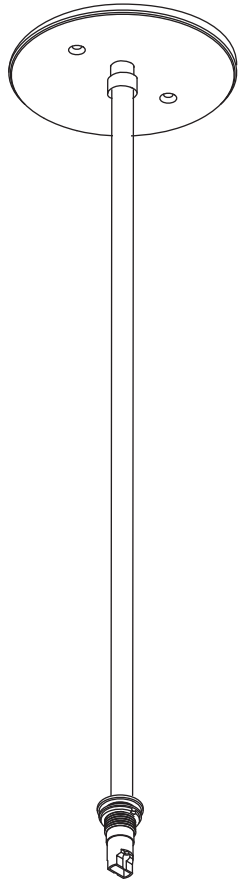
CAUTION!

Electrical shock risk. Turn off electrical power at the main fuse box or circuit panel before beginning installation, servicing the light, or installing accessories. We recommend working with a qualified electrician familiar with the type of work you'd like done.

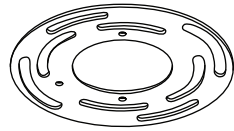
ATTENTION!

Risque de choc électrique. Coupez l'alimentation électrique au niveau de la boîte à fusibles principale ou du panneau de circuits avant de commencer l'installation, l'entretien de la lumière ou l'installation d'accessoires. Nous vous recommandons de travailler avec un électricien qualifié familier avec le type de travail que vous souhaitez effectuer.

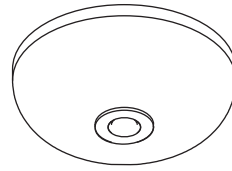
Components



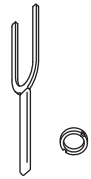
Canopy and Stem



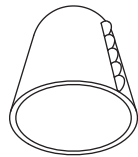
Canopy Backplate



Canopy Cover



Tool and Washer



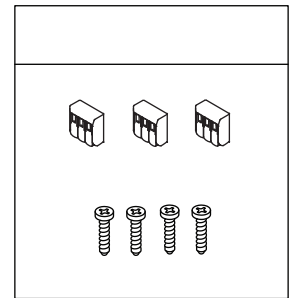
Calla Petite Shade



G9 Lightbulb, 4.5W

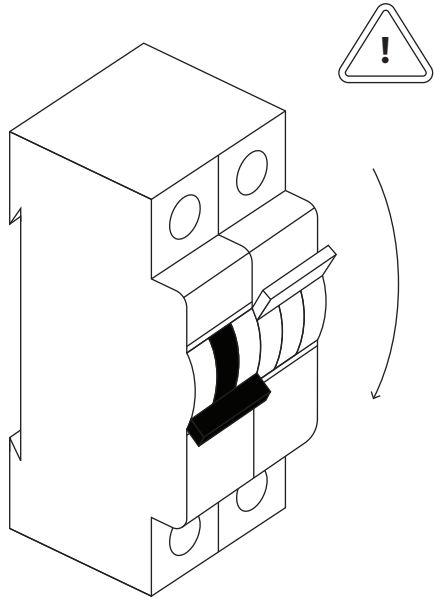


Flora Diffuser



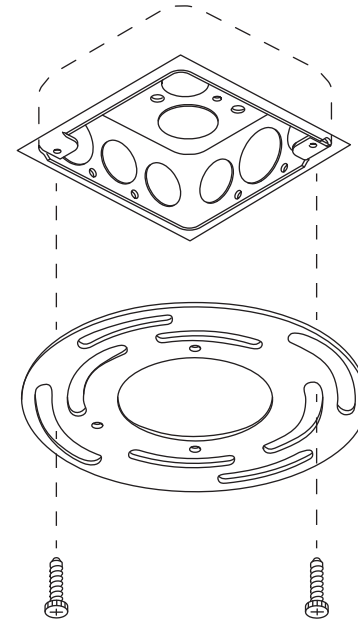
Hardware Pack

Step 1



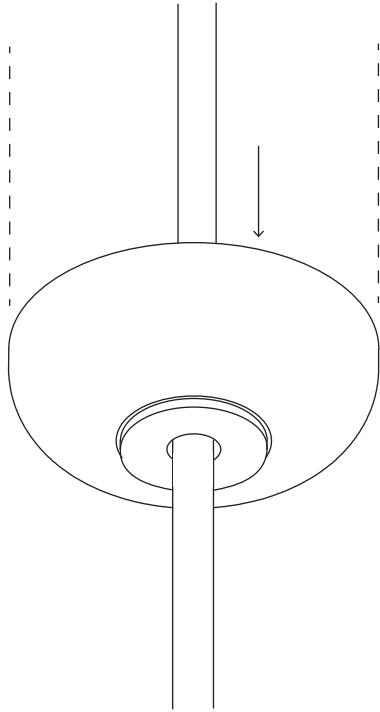
Before beginning installation, turn off electrical power at the main fuse box or circuit panel.

Step 2



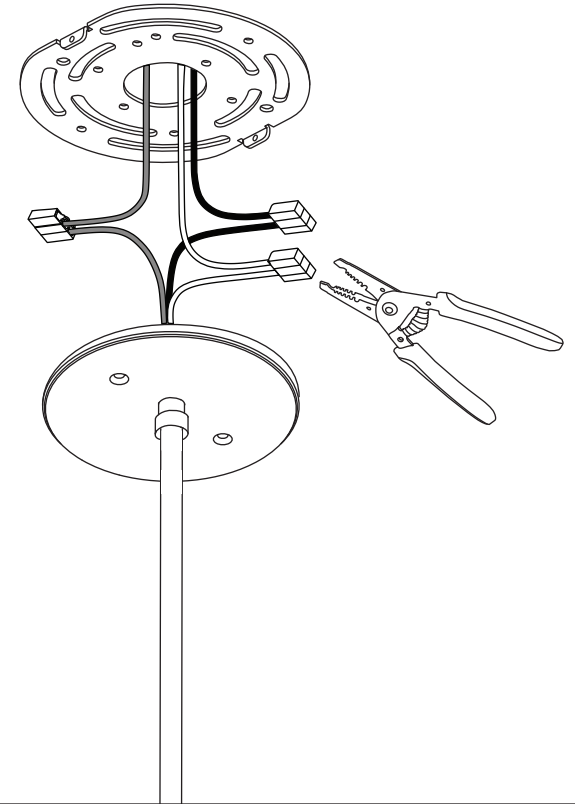
Mount the backplate to the junction box using a phillips head screwdriver to tighten the mounting screws.

Step 3



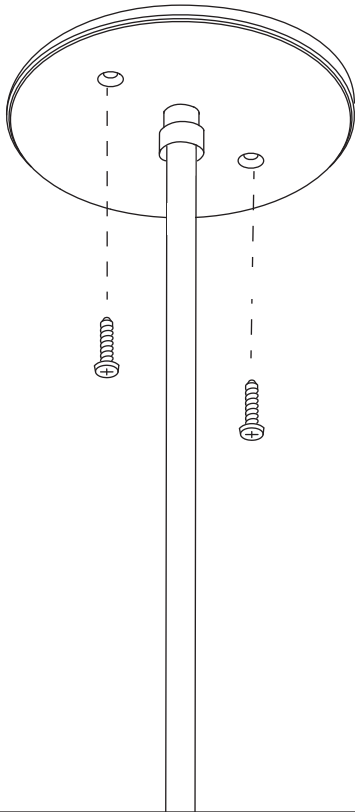
Gently slide the canopy cover down the stem.

Step 4



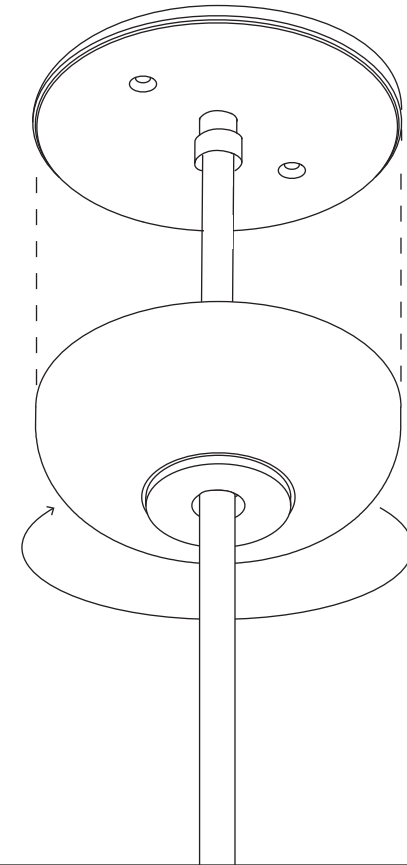
Use the wago clips to connect the fixture's wires to the corresponding wires from the junction box in the wall or ceiling. White is neutral; Black is live; Green/ Yellow is ground. One ground wire will be attached to the backplate, the other ground wire should come from the junction box. If needed use a wire stripper to remove 3/8" of the insulation from each wire before inserting them into the corresponding wago clip.

Step 5



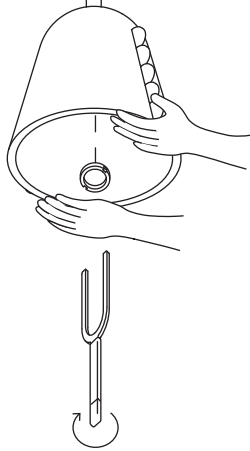
Mount canopy base attached to the stem into the backplate using a phillips head screwdriver to tighten mounting screws.

Step 6



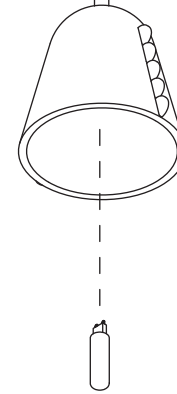
Gently slide the canopy cover back up the stem. Rotate the canopy cover clockwise to secure firmly in place.

Step 7



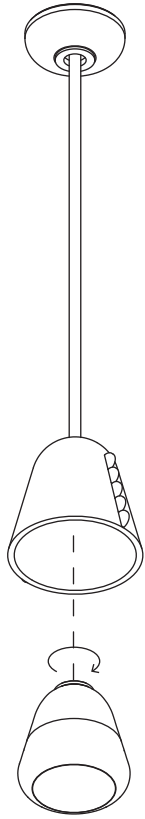
Carefully align the socket with the hole in the shade, and slide the shade up. With one person holding the shade in place, use the included tool to thread the washer, tightening the shade to the stem

Step 8



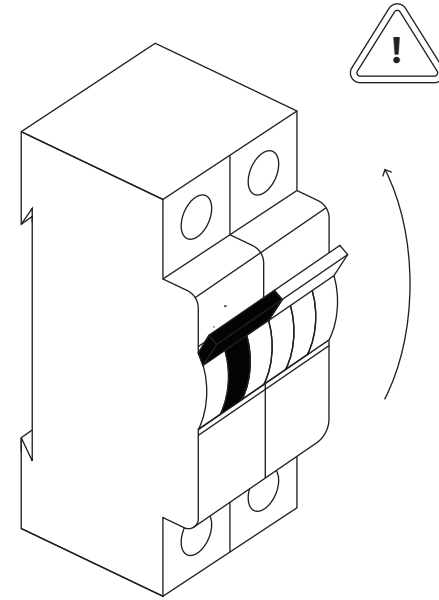
Push included bulb into socket.

Step 9



Thread the diffuser over the bulb.

Step 10



Turn the power back on at the main fuse box or circuit panel you disabled before installation. Turn on the light :)

Care Instructions

Never use scouring pads or abrasive cleaning solutions. If it comes in a bottle, its bad for your fixture. Instead, we recommend using soft microfiber cloths, which are gentler on our products and the planet.

For Metal: Wipe with a damp or dry microfiber cloth. Please note that our brass is unlaquered, and will darken naturally over time.

For Glass: Wipe clear or colored glass with a damp microfiber cloth. For sandblasted or etched glass, use a dry microfiber cloth. Removable glass shades can be washed carefully in a sink using warm or hot water.

For Ceramic: Wipe with a damp microfiber cloth. Do not submerge in water.

Return Policy

We accept returns for store credit only, minus a 15% restocking fee. We do not accept returns on pieces from the Handmade, Disc, Terra, or Flora series, or on items that are not in their original condition. Custom and Rush orders are final sale. Please note that shipping charges are non-refundable.

To request a return, email sales@incommonwith.com within ten days of receiving your order. Requests must be approved before a return can be processed. Requests made after ten days will not be accepted.

All products that come in their own box, including but not limited to light bulbs and accessories, must be returned in their original, undamaged box as this is considered part of the product.

We reserve the right to reject any returned items that do not meet the above requirements. If your return is rejected you will be notified via email.