

How to Install Your New Light

Please check that you received all of the components pictured in this guide. Reach out to us if anything is missing. It's very rare, but it happens. Don't forget to turn off the electrical power source.

Tools you will need that aren't included: standard wire stripper, Phillips head screwdriver.



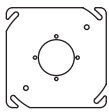
CAUTION

Electrical shock risk. Turn off electrical power at the main fuse box or circuit panel before beginning installation, servicing the light, or installing accessories. We recommend working with a qualified electrician familiar with the type of work you'd like done.

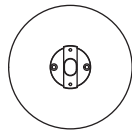
ATTENTION

Risque de choc électrique. Coupez l'alimentation électrique au niveau de la boîte à fusibles principale ou du panneau de circuits avant de commencer l'installation, l'entretien de la lumière ou l'installation d'accessoires. Nous vous recommandons de travailler avec un électricien qualifié familier avec le type de travail que vous souhaitez effectuer.

Contents



Part A
Backplate



Part B
Mud Ring



Part C
Mesh Tape



Part D
Mounting Screws (x4)



Part E
Mounting Screws (x2)
(flat head)



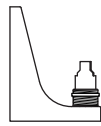
Part F
Wago Clips (x3)



Part G
Base Screw (x2)



Part H
Mounting Bracket



Part I
L Base



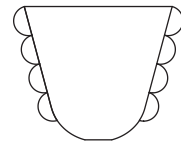
Part J
Tool + Washer



Part K
G9 LED Bulb

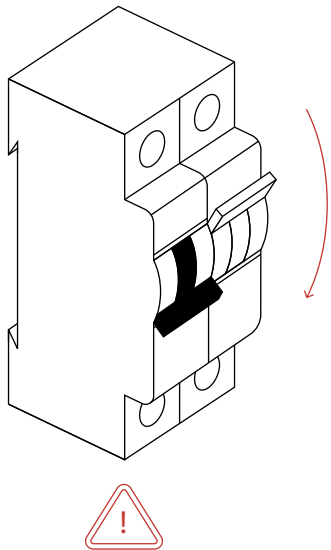


Part L
Diffuser

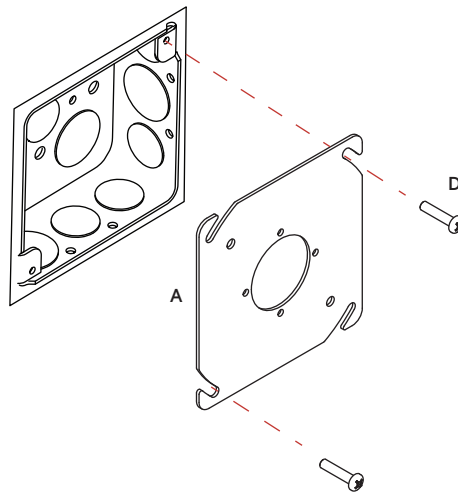


Part M
Calla Shade

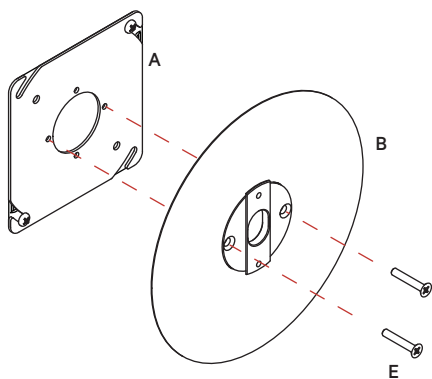
Step 1: Turn off electrical power at the main fuse box or circuit panel before beginning installation.



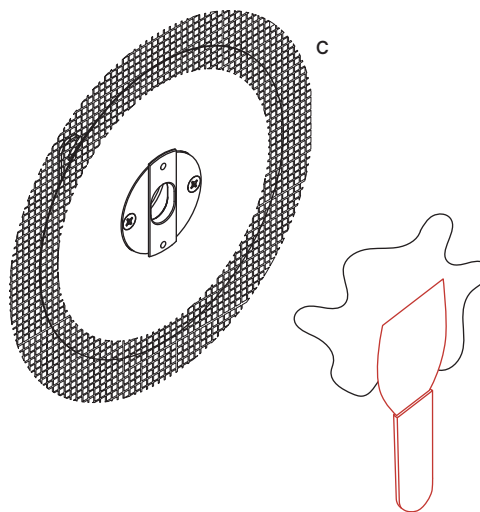
Step 2: Mount the backplate (A) to the junction box using a phillips head screwdriver to tighten two mounting screws (D). Make sure the wires from the junction box are still accessible.



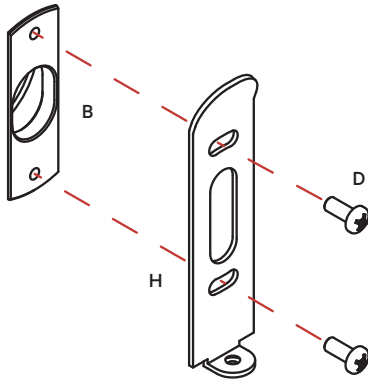
Step 3: Attach the mudring (B) to the backplate (A) using the two flat head mounting screws (E).



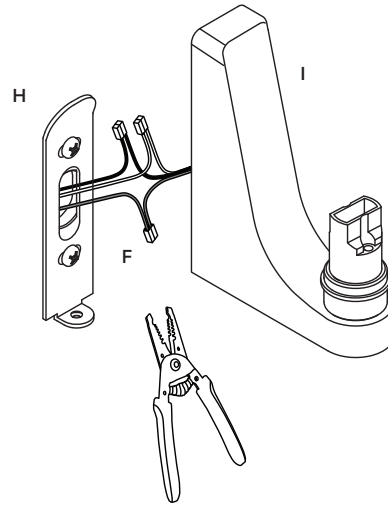
Step 4: Apply drywall mesh tape (C), overlapping the perimeter of the mud ring and the wall. Plaster over drywall mesh-tape, mudring, and wall. We recommend applying three coats of plaster, allowing time for the plaster to dry and sanding between coats. Ensure this area painted before proceeding to the next steps.



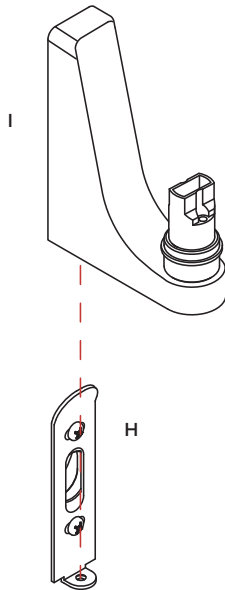
Step 5: Attach the mounting bracket (H) to the exposed part of the mudring (B) using the additional mounting screws (D).



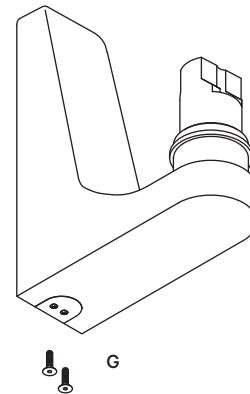
Step 6: Use the wago clips (F) to connect the fixture's wires to the corresponding wires from the junction box in the wall or ceiling. White is neutral; Black is live; Green/ Yellow is ground. One ground wire will be attached to the backplate, the other ground wire should come from the junction box. If needed use a wire stripper to remove 3/8" of the insulation from each wire before inserting them into the corresponding wago clip .



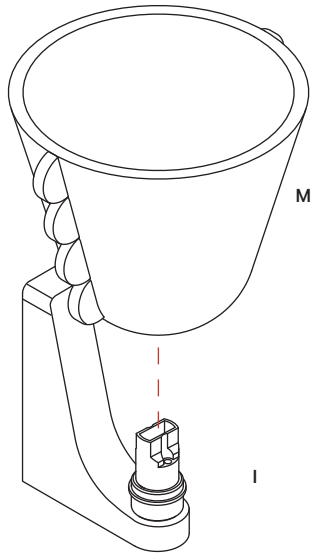
Step 7: Slide the L base (I) over the mounting bracket (H).



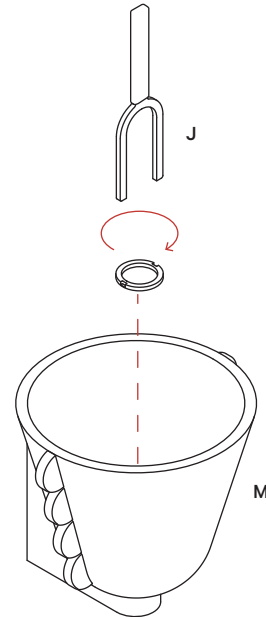
Step 8: Secure using the provided base screws (G).



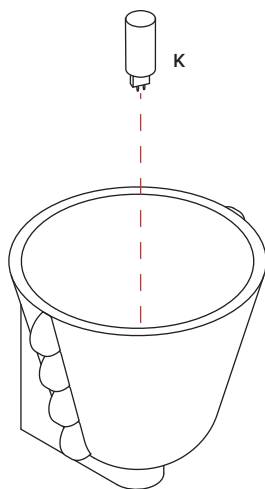
Step 9: Carefully slide the Calla shade (M) over the socket (I).



Step 10: Secure the shade (M) into place using the washer and provided tool (J).



Step 11: Push included bulb (K) into socket.



Step 12: Thread the diffuser (L) over the bulb. Turn the power back on at the main fuse box or circuit panel you disabled before installation.

