

Fazzo Petite Pendant
Assembly Guide



Thank you for choosing In Common With. Please confirm that you received all of the components pictured in this guide, and reach out to us if anything is missing. It's rare, but it happens. We hope you enjoy your fixture. With proper care, it should last a lifetime.

Have questions? Please contact us at support@incommonwith.com.



CAUTION!

Electrical shock risk. Turn off electrical power at the main fuse box or circuit panel before beginning installation, servicing the light, or installing accessories. We recommend working with a qualified electrician familiar with the type of work you'd like done.

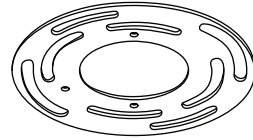
ATTENTION!

Risque de choc électrique. Coupez l'alimentation électrique au niveau de la boîte à fusibles principale ou du panneau de circuits avant de commencer l'installation, l'entretien de la lumière ou l'installation d'accessoires. Nous vous recommandons de travailler avec un électricien qualifié familier avec le type de travail que vous souhaitez effectuer.

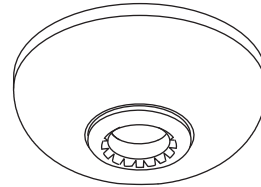
Components



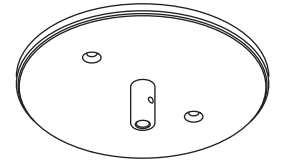
Fazzo Petite Pendant Shade Assembly



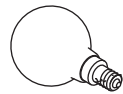
Canopy Backplate



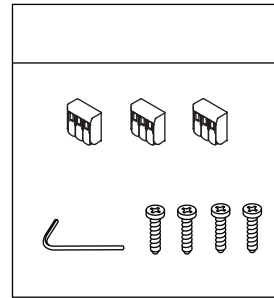
Canopy Cover



Canopy Base

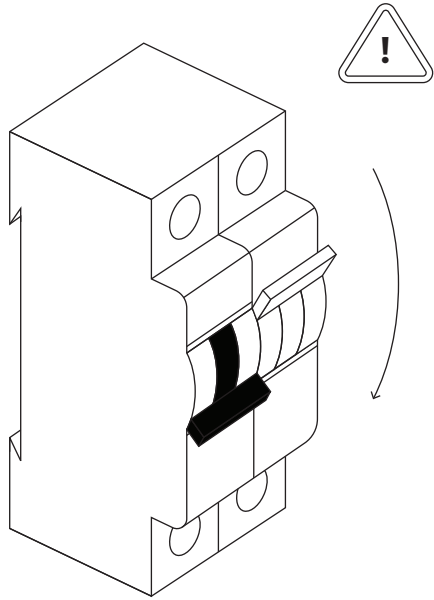


E12 Tala Porcelain I Lightbulb



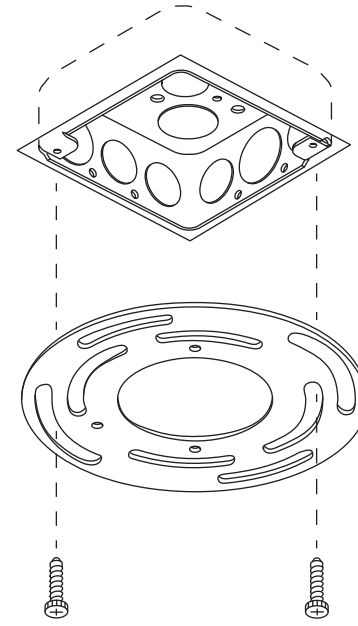
Hardware Pack

Step 1



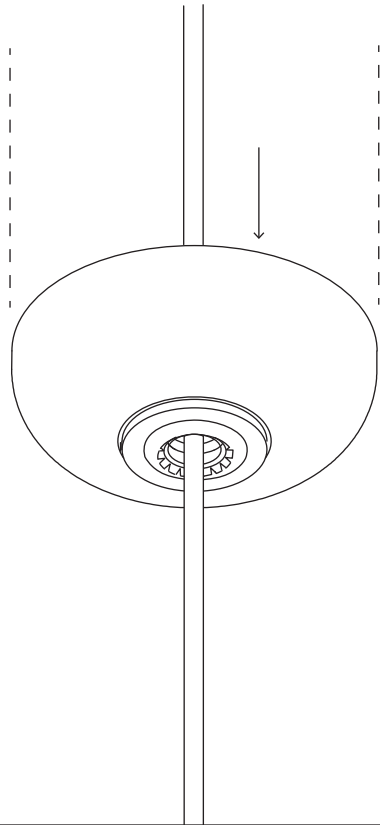
Before beginning installation, turn off electrical power at the main fuse box or circuit panel.

Step 2



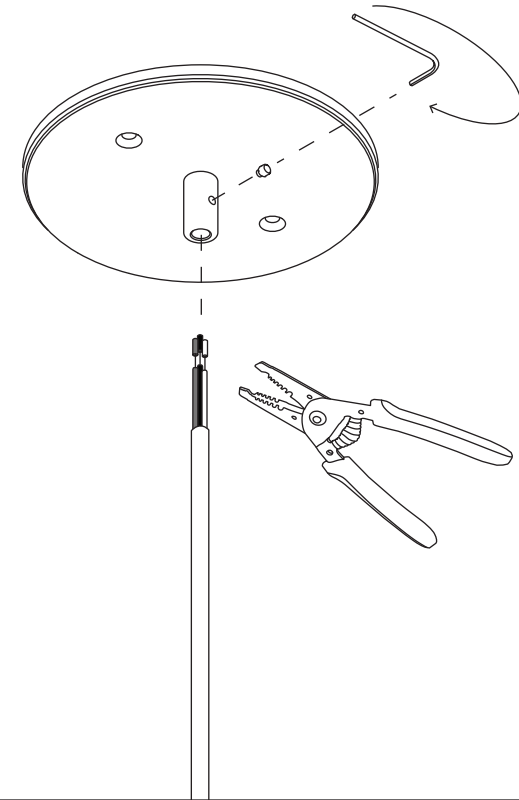
Mount the backplate to the junction box using a phillips head screwdriver to tighten the mounting screws.

Step 3



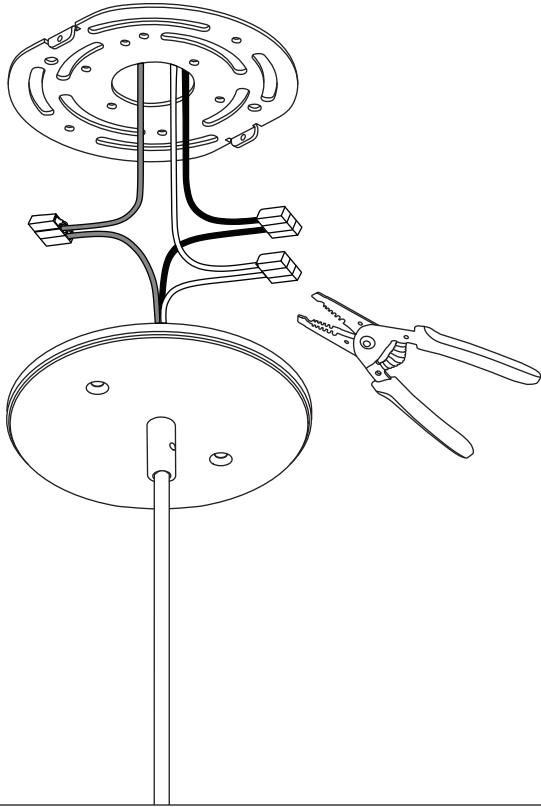
Gently slide the canopy cover down the stem.

Step 4



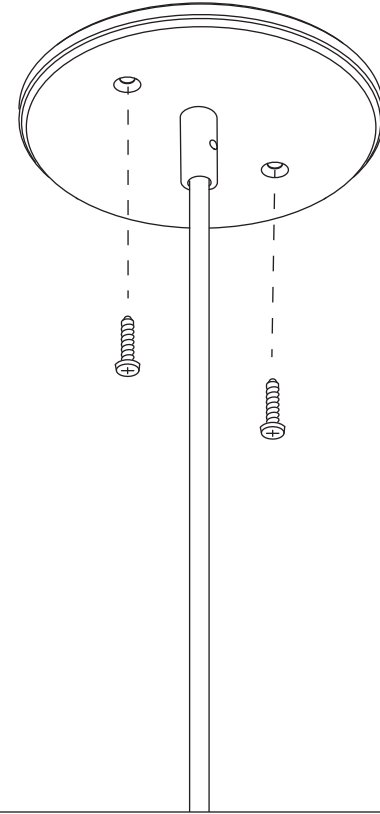
Cut pendant cord to desired length using a wire cutter, then thread the cord through the hole in the canopy. Secure the cord in place by tightening the screw on the canopy base attached to the shade assembly using the included L-shaped hex key. Resist the urge to over-tighten; it's not necessary!

Step 5



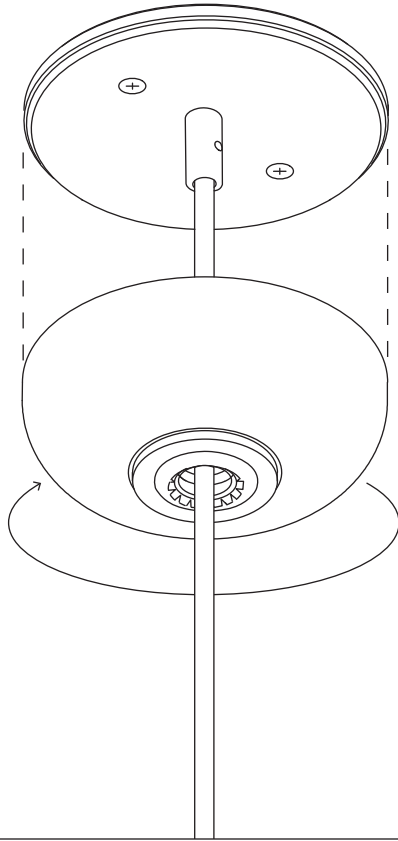
Use the wago clips to connect the fixture's wires to the corresponding wires from the junction box in the wall or ceiling. White is neutral; Black is live; Green/ Yellow is ground. One ground wire will be attached to the backplate, the other ground wire should come from the junction box. If needed use a wire stripper to remove 3/8" of the insulation from each wire before inserting them into the corresponding wago clip

Step 6



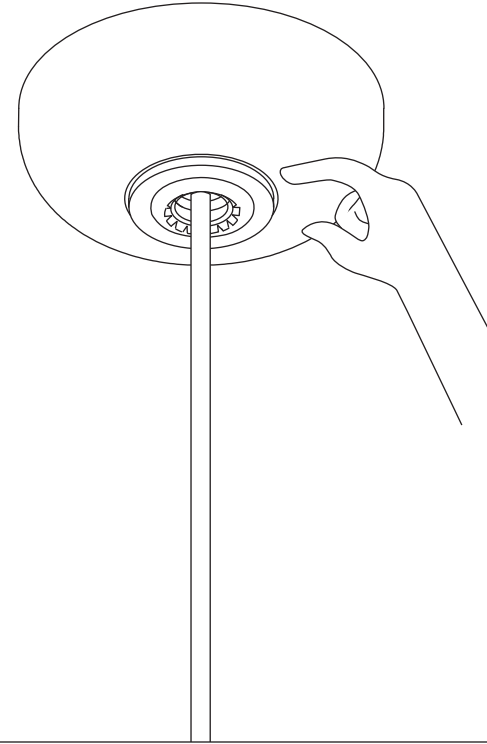
Mount canopy base attached to the shade assembly into the backplate using a phillips head screwdriver to tighten mounting screws.

Step 7



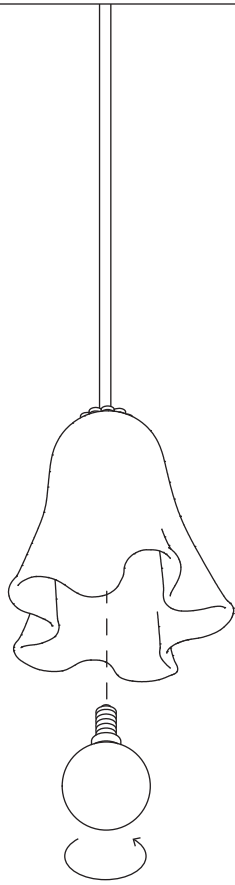
Gently slide the canopy cover back up the cord. Rotate the canopy cover clockwise to secure firmly in place.

Step 8



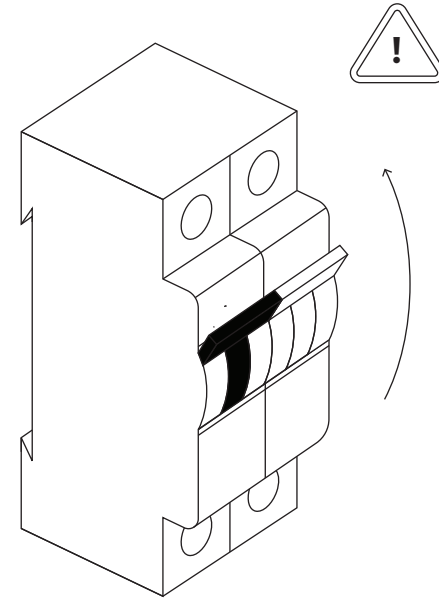
Gently remove the protective paper from the canopy cover. Discard.

Step 9



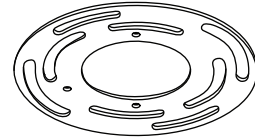
Screw the provided bulb into the socket. Turn the power back on at the main fuse box or circuit panel you disabled before installation.

Step 10

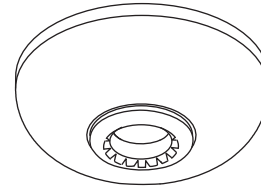


Turn the power back on at the main fuse box or circuit panel you disabled before installation. Turn on the light :)

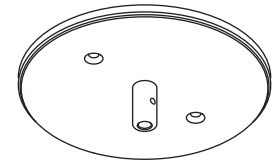
Components



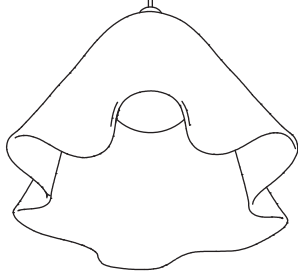
Canopy Backplate



Canopy Cover



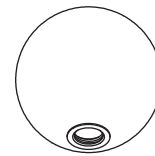
Canopy Base



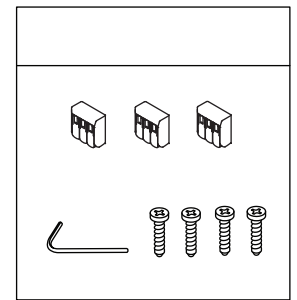
Fazzo Pendant Shade Assembly



G9 Lightbulb, 7.0W

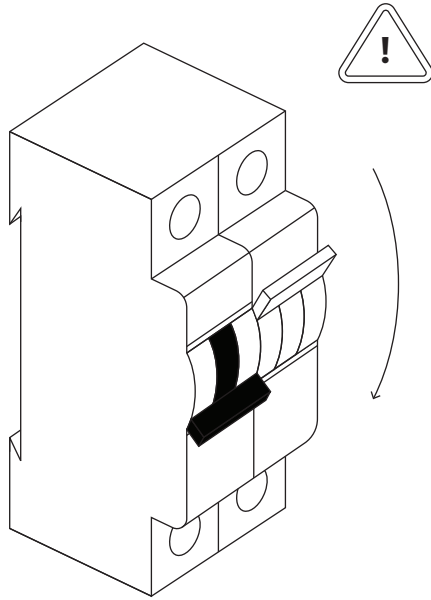


Orb 5s Diffuser



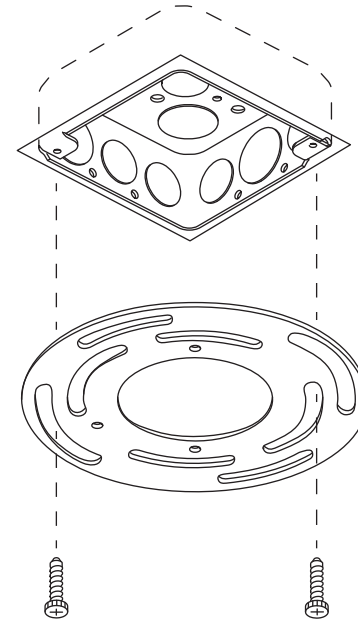
Hardware Pack

Step 1



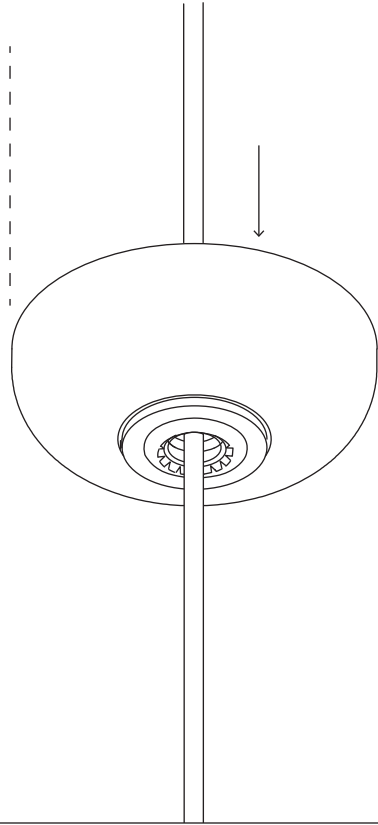
Before beginning installation, turn off electrical power at the main fuse box or circuit panel.

Step 2



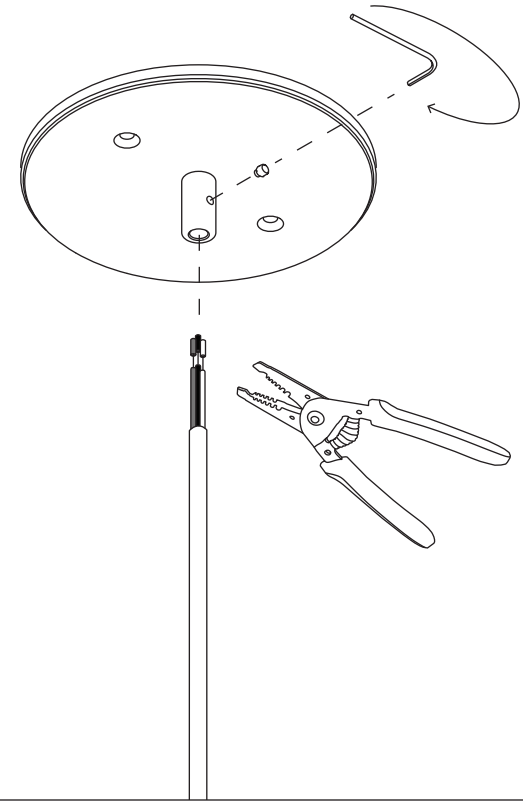
Mount the backplate to the junction box using a phillips head screwdriver to tighten the mounting screws.

Step 3



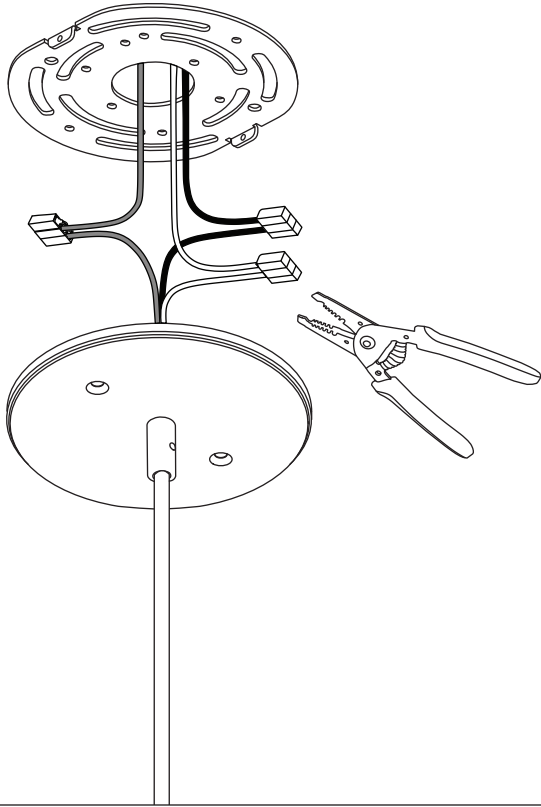
Gently slide the canopy cover down the stem.

Step 4



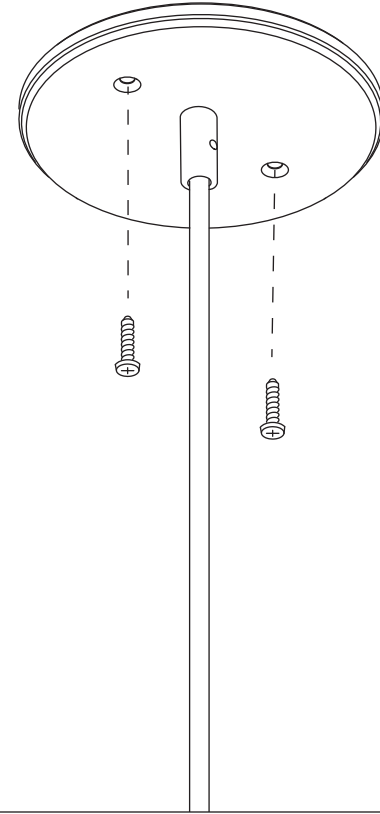
Cut pendant cord to desired length using a wire cutter, then thread the cord through the hole in the canopy. Secure the cord in place by tightening the screw on the canopy base attached to the shade assembly using the included L-shaped hex key. Resist the urge to over-tighten; it's not necessary!

Step 5



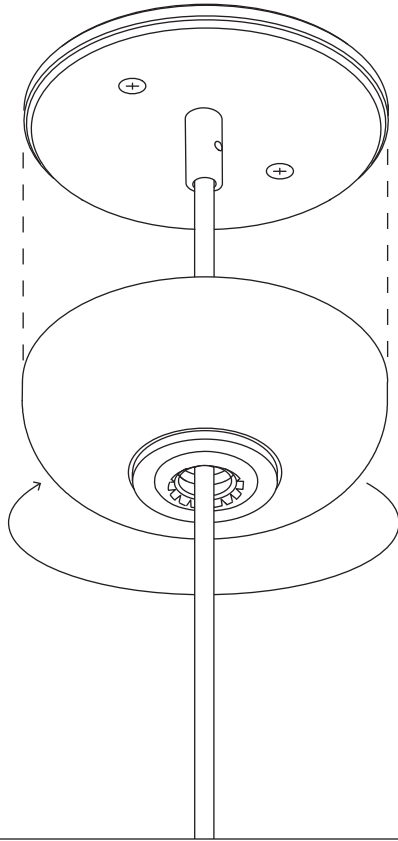
Use the wago clips to connect the fixture's wires to the corresponding wires from the junction box in the wall or ceiling. White is neutral; Black is live; Green/ Yellow is ground. One ground wire will be attached to the backplate, the other ground wire should come from the junction box. If needed use a wire stripper to remove 3/8" of the insulation from each wire before inserting them into the corresponding wago clip

Step 6



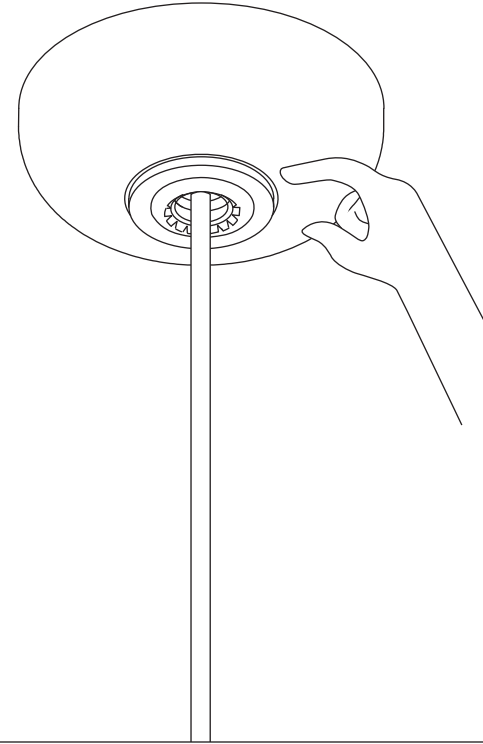
Mount canopy base attached to the shade assembly into the backplate using a phillips head screwdriver to tighten mounting screws.

Step 7



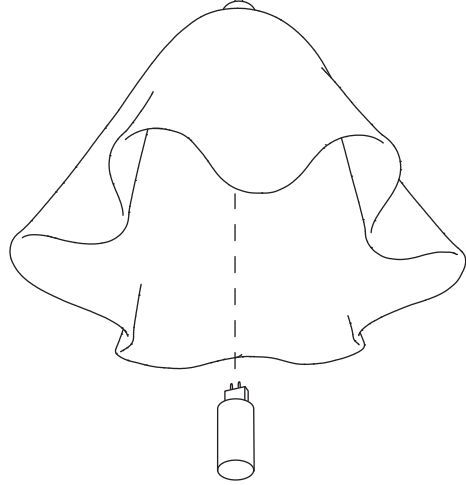
Gently slide the canopy cover back up the cord. Rotate the canopy cover clockwise to secure firmly in place.

Step 8



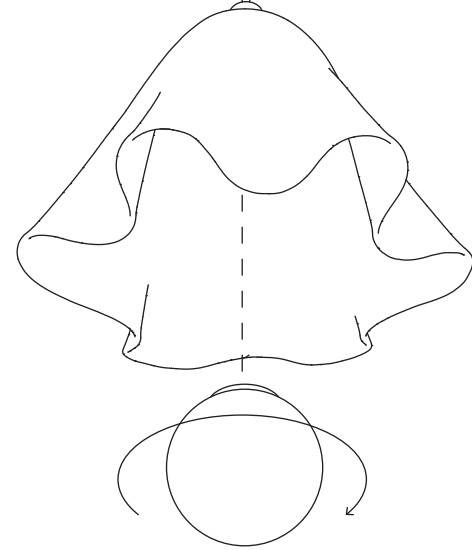
Gently remove the protective paper from the canopy cover. Discard.

Step 9



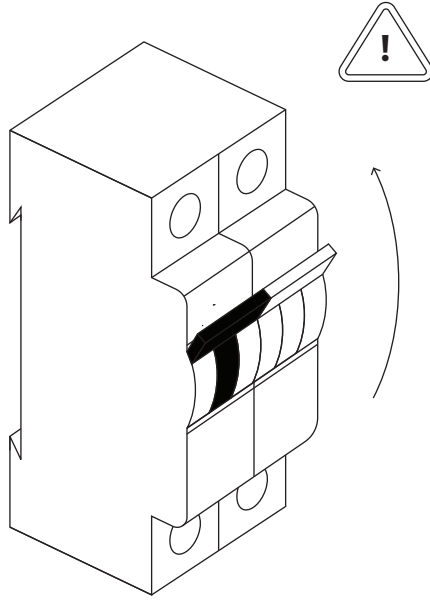
Push the provided bulb into the socket.

Step 10



Thread the diffuser over the bulb. Turn the power back on at the main fuse box or circuit panel you disabled before installation.

Step 11



Turn the power back on at the main fuse box or circuit panel you disabled before installation. Turn on the light :)

Care Instructions

Never use scouring pads or abrasive cleaning solutions. If it comes in a bottle, it is bad for your fixture. Instead, we recommend using soft microfiber cloths, which are gentler on our products and the planet.

For Metal: Wipe with a damp or dry microfiber cloth. Please note that our brass is unlaquered, and will darken naturally over time.

For Glass: Wipe clear or colored glass with a damp microfiber cloth. For sandblasted or etched glass, use a dry microfiber cloth. Removable glass shades can be washed carefully in a sink using warm or hot water.

For Ceramic: Wipe with a damp microfiber cloth. Do not submerge in water.

Return Policy

We accept returns for store credit only, minus a 15% restocking fee. We do not accept returns on pieces from the Handmade, Disc, Terra, or Flora series, on the Ceramic or Colored Glass Up Down Sconces, or on items that are not in their original condition. Custom and Rush orders are final sale. Please note that shipping charges are non-refundable.

To request a return, email sales@incommonwith.com within ten days of receiving your order. Requests must be approved before a return can be processed. Requests made after ten days will not be accepted.

All products that come in their own box, including but not limited to light bulbs and accessories, must be returned in their original, undamaged box as this is considered part of the product. Once installed, products are no longer eligible for return.

We reserve the right to reject any returned items that do not meet the above requirements. If your return is rejected you will be notified via email.