

How to Install Your New Light

Please check that you received all of the components pictured in this guide. Reach out to us if anything is missing. It's very rare, but it happens. Don't forget to turn off the electrical power source.

Tools you will need that aren't included: standard wire stripper, Phillips head screwdriver.

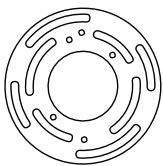
CAUTION

Electrical shock risk. Turn off electrical power at the main fuse box or circuit panel before beginning installation, servicing the light, or installing accessories. We recommend working with a qualified electrician familiar with the type of work you'd like done.

ATTENTION

Risque de choc électrique. Coupez l'alimentation électrique au niveau de la boîte à fusibles principale ou du panneau de circuits avant de commencer l'installation, l'entretien de la lumière ou l'installation d'accessoires. Nous vous recommandons de travailler avec un électricien qualifié familier avec le type de travail que vous souhaitez effectuer.

Contents



Part A
Backplate



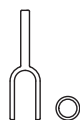
Part B
Mounting Screws (x4)



Part C
Wago Clips (x3)



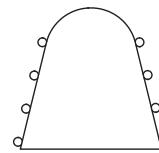
Part D
Flora Diffuser



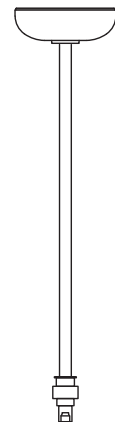
Part E
Tool + Washer



Part F
G9 LED Bulb

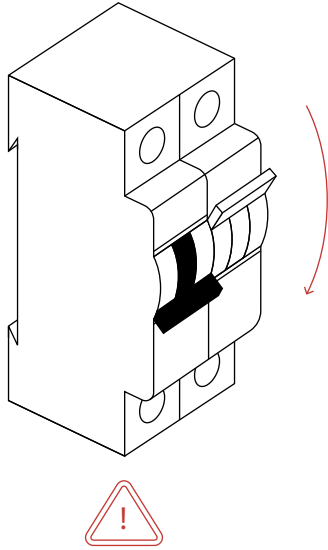


Part G
Calla Shade

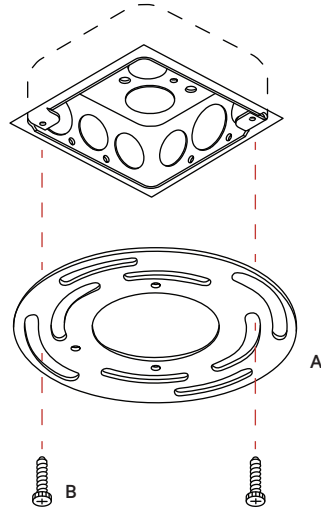


Part H
Canopy + Stem

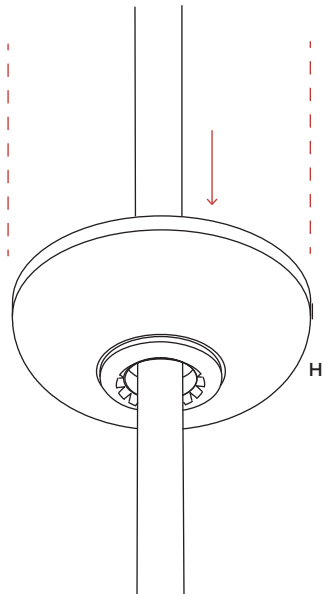
Step 1: Turn off electrical power at the main fuse box or circuit panel before beginning installation.



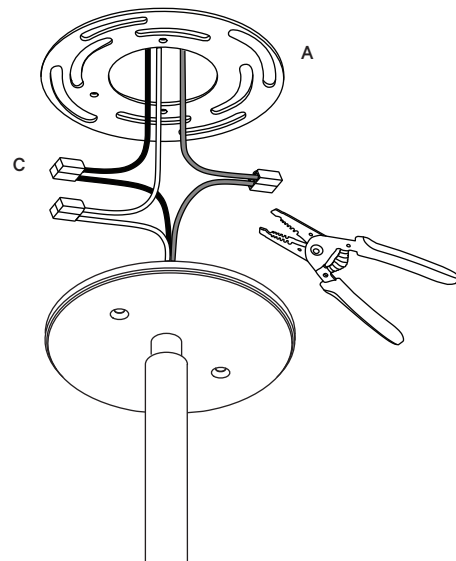
Step 2: Mount the backplate (A) to the junction box using a phillips head screwdriver to tighten two of the provided mounting screws (B).



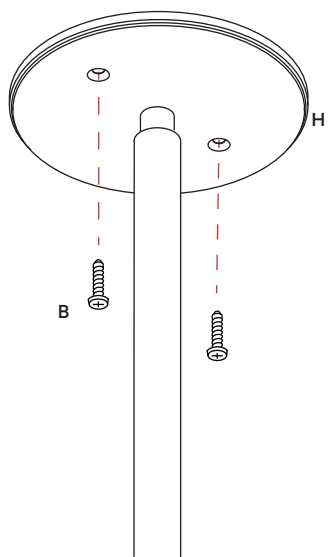
Step 3: Gently slide the canopy cover down the stem (H).



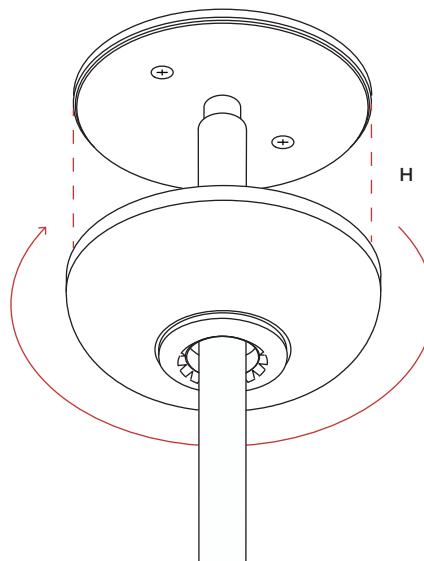
Step 4: Use the wago clips (C) to connect the fixture's wires to the corresponding wires from the junction box in the wall or ceiling. White is neutral; Black is live; Green/ Yellow is ground. One ground wire will be attached to the backplate (A), the other ground wire should come from the junction box. If needed use a wire stripper to remove 3/8" of the insulation from each wire before inserting them into the corresponding wago clip.



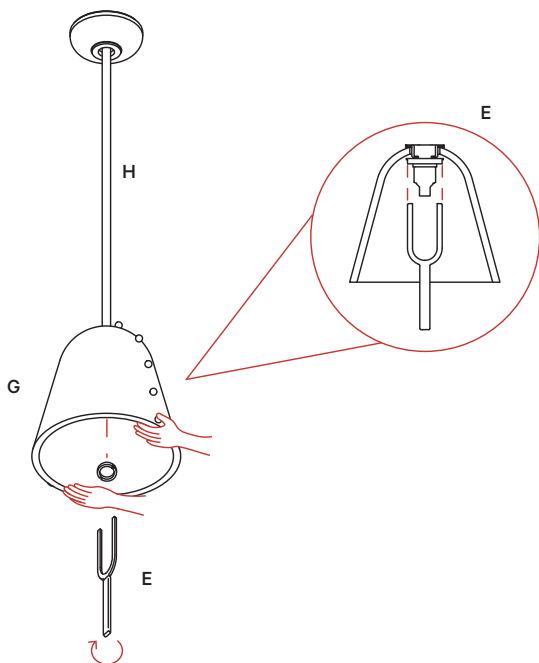
Step 5: Mount canopy base on the stem (H) into the backplate using a phillips head screwdriver to tighten two remaining mounting screws (B).



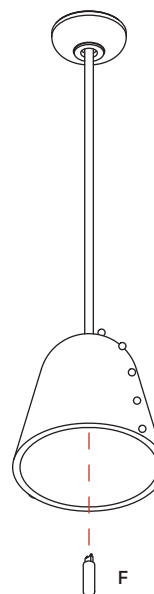
Step 6: Gently slide the canopy cover back up the stem (H). Rotate the canopy cover clockwise to secure firmly in place.



Step 7: Carefully align the socket with the hole in the shade, and slide the shade up. With one person holding the shade (G) in place, use the included tool to thread the washer (E), tightening the shade to the stem (H).



Step 8: Push included bulb (F) into socket.



Step 9: Thread the diffuser (D) over the bulb. Turn the power back on at the main fuse box or circuit panel you disabled before installation.

