

### How to Install Your New Light

Please check that you received all of the components pictured in this guide. Reach out to us if anything is missing. It's very rare, but it happens. Don't forget to turn off the electrical power source.

You won't need any additional tools.

### CAUTION

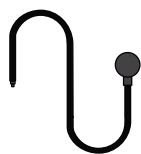
As a safety feature, this lamp has a polarized plug to reduce the risk of electric shock. This means it has two flat prongs and a third circular prong underneath, and it will fit in an outlet one way only. If the plug does not fit fully and easily into the outlet, do not force it; contact a qualified electrician.

### ATTENTION

Par mesure de sécurité, cette lampe a une fiche polarisée pour réduire le risque de choc électrique. Cela signifie qu'il a deux broches plates et une troisième broche circulaire en dessous, et qu'il ne s'insère dans une prise que dans un seul sens. Si la fiche ne s'insère pas complètement et facilement dans la prise, ne la forcez pas; contactez un électricien qualifié.

---

### Contents



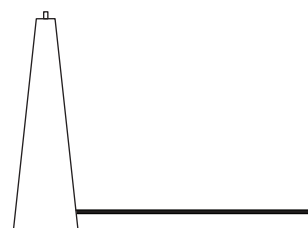
**Part A**  
Power Cord



**Part B**  
Bulb (x7)

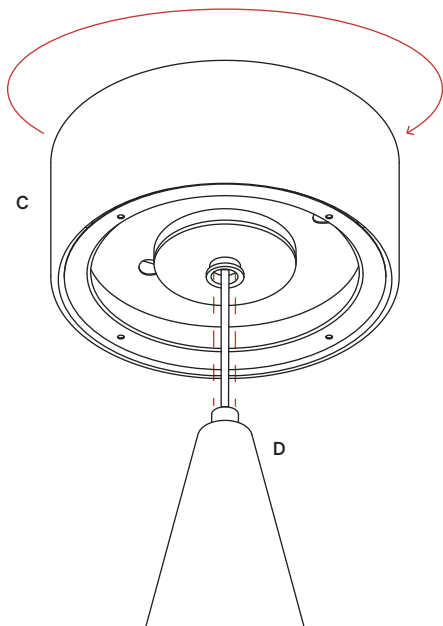


**Part C**  
Helena Floor Shade

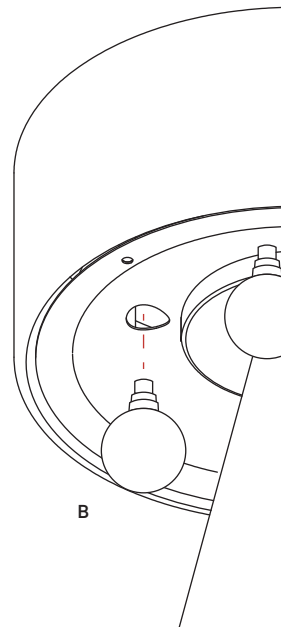


**Part D**  
Helena Floor Base

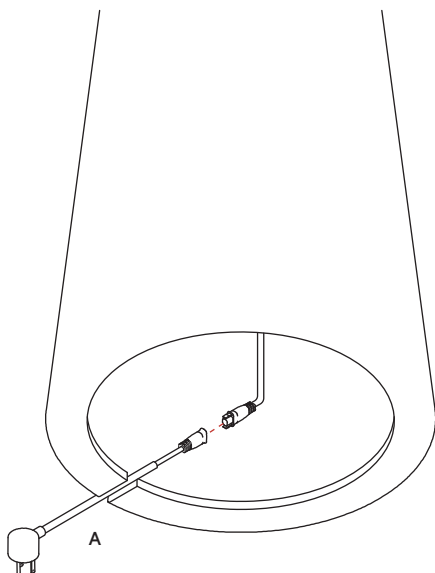
**Step 1:** Feed the cord from the shade (B) through the floor lamp base (C). Align the shade (B) with the base connector, rotating clockwise to secure in place (C).



**Step 2:** Using your fingers, gently screw in the included lightbulb (B) into the fixture sockets of the lamp shade.



**Step 3:** Connect the cord within the floor lamp base to the power cord (D). Once connected, gently tilt the lamp and slide the quick connect under the base of the lamp.



**Step 3:** Plug-in the table lamp and turn on the light.

