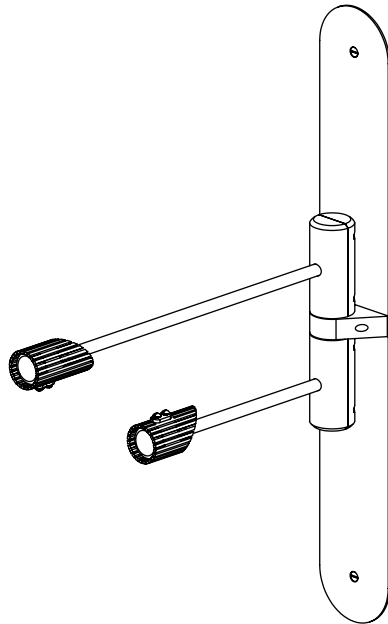
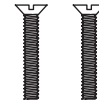


## CONTENTS

### Boden Scozne 02



#8-32 Screws 3/4" long (2)



#8-32 Screws 1-1/2" long (2)



#6-32 Screws  
1/4" long (4)



Slotted flat head  
1/2" screws (2)



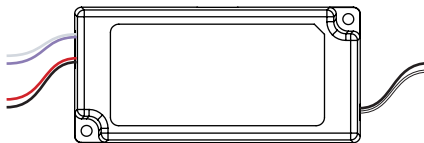
2 Port Wagos (2)



3 Port Wagos (2)



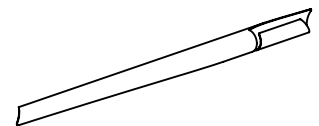
### LED Driver



### Tube Shade Short



### Tube Shade Long



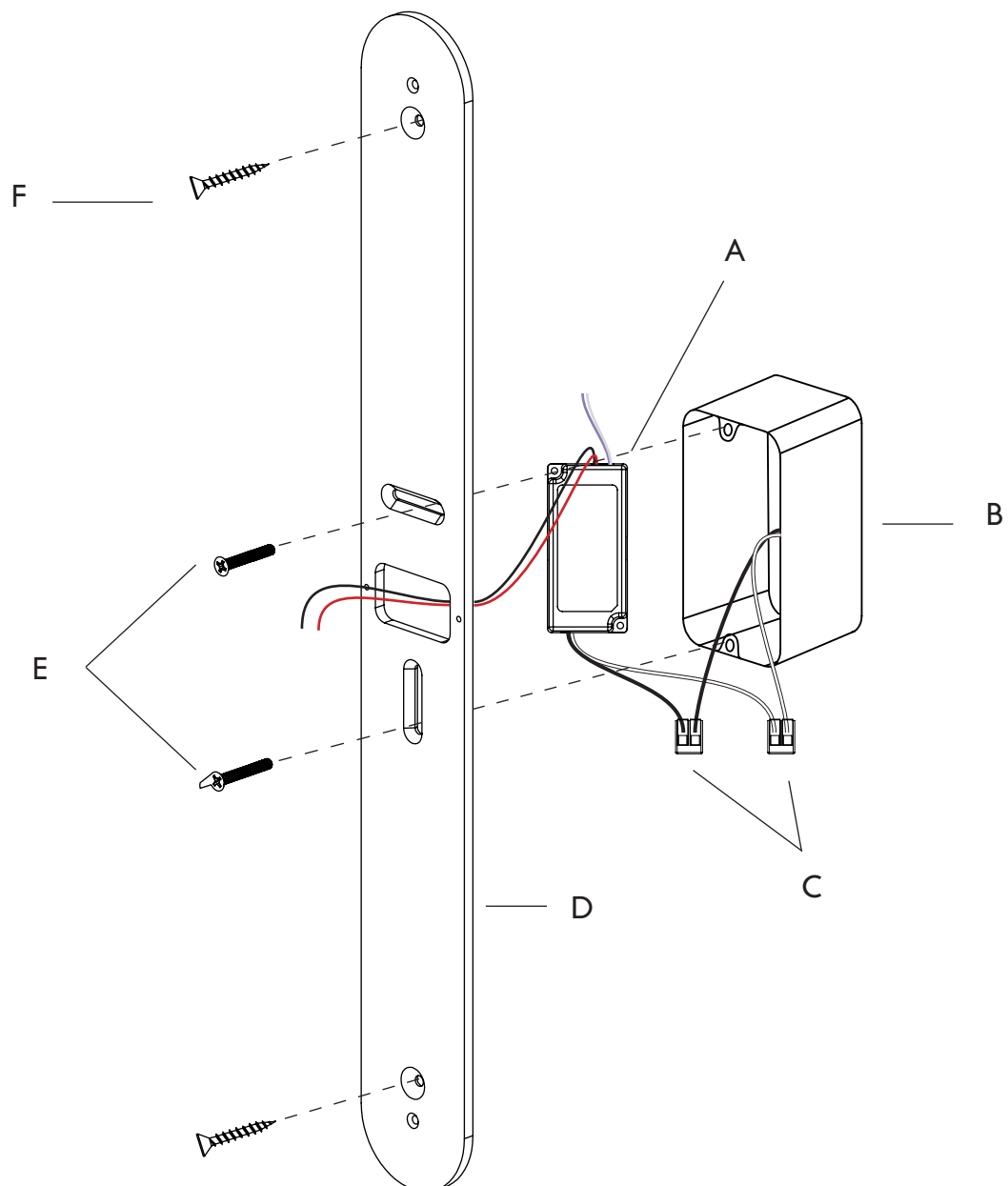
## SAFETY INFORMATION

Only suitable for direct mounting on non-combustible surfaces.  
Under no circumstances can Boden Scozne be mounted on normally flammable surfaces.  
Suitable for dry or damp, indoor use only.  
Maximum ambient temperature: 25° C

## CEILING INSTALLATION

*Note: Please contact a licensed electrician.*

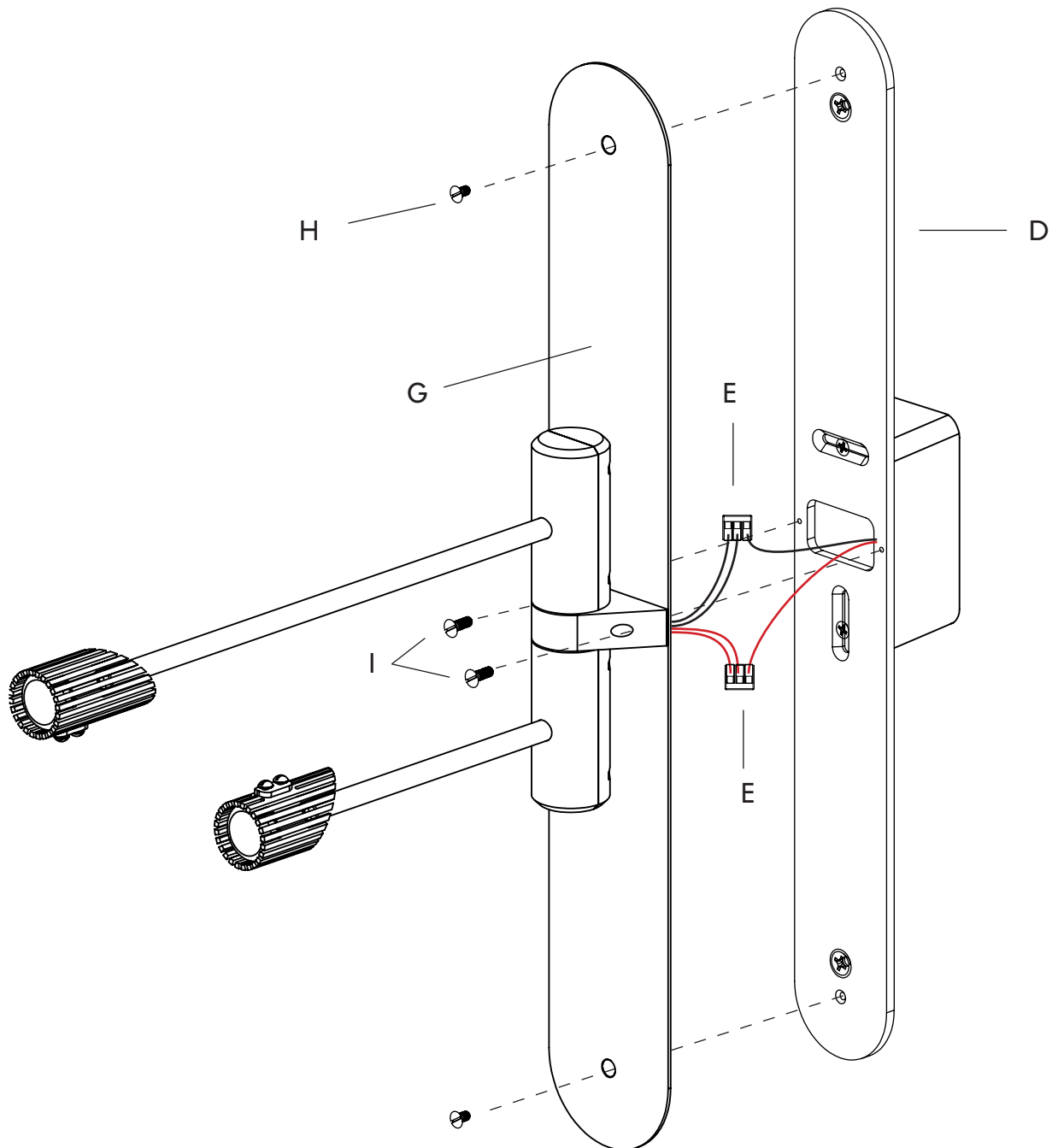
1. Connect the LED driver (A) lead wires to the Jbox (B) lead wires, using two 2 port wago (C), and tuck the LED driver and lead wires into Jbox. Leave secondary wires out.
2. Bring the crossbar plate (D) to the Jbox, feed the secondary LED wires through the center hole. Then use two #8-32 3/4" long screws (E) to secure the crossbar plate to Jbox. (Optional, use two #8-32 1-1/2" long screws (F) to secure the top and bottom of the crossbar plate).



## CEILING INSTALLATION

*Note: Please contact a licensed electrician.*

- Next, lift the fixture (G) up to the crossbar plate (D), and connect the secondary wires using the provided wagos (E), then tuck in all the wires inside the jbox.
- Secure the fixture (G) to the crossbar plate (D) using two #6-32 1/4" long screws (H), and two slotted flat head 1/2" screws (I).



## SHADE INSTALLATION

---

*Note: Please contact a licensed electrician.*

1. Install long shade (A) onto top long horizontal arm LED socket (B).  
Then a short shade (C) onto bottom short horizontal arm LED socket (D).  
Secure the shade with two 1/4" long 6/32 screws (E).

