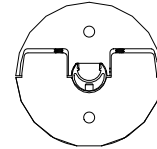


CONTENTS

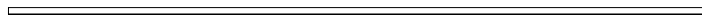
17DEC2019

Pole 03 Primary Mount with Crossbar (120v)
 Pole 03 Primary Mount with Driver Box (240v)

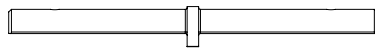
Small Mount



Pole Extrusion (see table) - One Labeled "Small Mount"

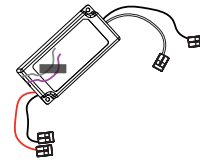


Pole Fitter (see table)

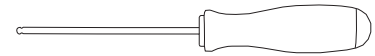


# of Sections	# of Extrusions	# of Fitters
3	3	2
4	4	3
5	5	4
6	6	5
7	7	6
8	8	7

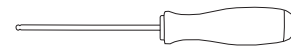
Driver w/ Wagos (120v)



1x 7/64" Hex Driver



1x 5/64" Hex Driver



Sheet Metal
Screw
(4x) (240v)



Button Head Screw
(4x) (240v)



Wood Screw
(2x) (120V)
(6x) (240v)



Flat Head Screw
(2x)



Toggle Anchors
(x2) (120v)
(6x) (240v)



J-Box Screws (x2)



SAFETY INFORMATION

Only suitable for direct mounting on non-combustible surfaces.
 Under no circumstances can Pole fixtures be mounted on normally flammable surfaces.
 Suitable for dry, indoor use only.
 Maximum ambient temperatures: 25° C

POLE 03 & 05 | INSTALLATION

Note: Please contact a licensed electrician for installation.

Note: Ensure power is off during installation.

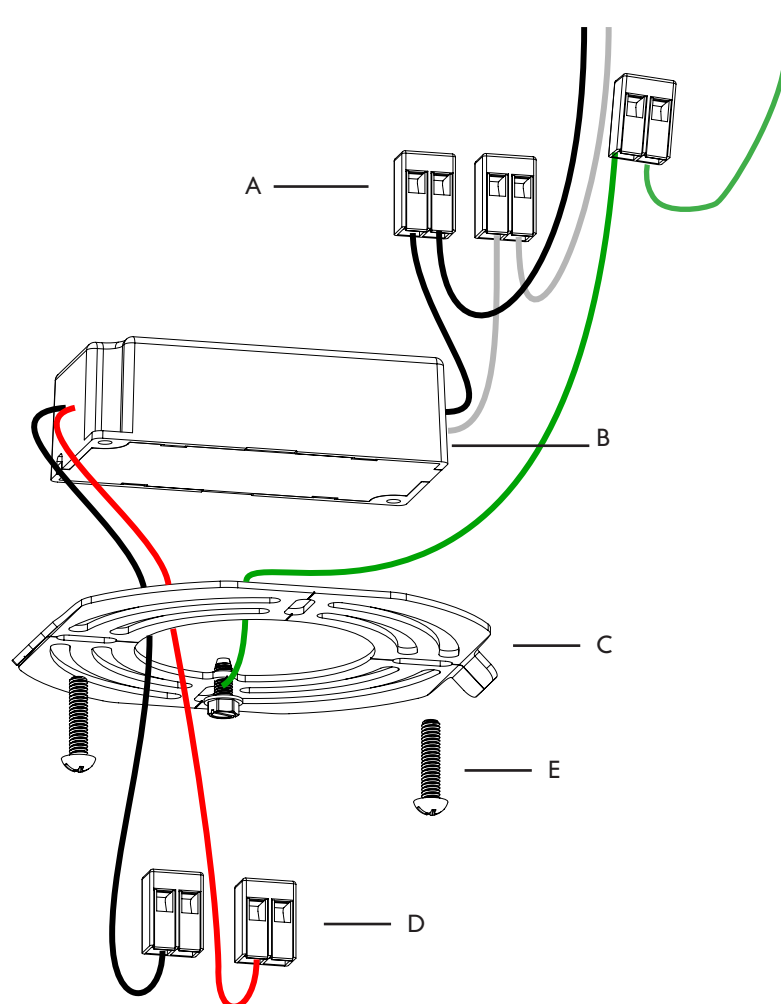
1. Connect the high voltage wires from the driver to the lead wires from the ceiling and store the driver (A) inside the junction box. For 240V fixtures, the driver will be stored within an enclosed driver box. A hole must be made in the ceiling to accommodate this.

2. Connect the ground lead (B) from the crossbar (C) to the buildings ground line. For 240v connect from driver box ground lead to the buildings ground line.

3. Pull the low voltage wires from the driver (D) through the center hole of the crossbar. Mount the crossbar to the junction box using provided #8-32 j-box screws (E).

For 240V fixtures, mount the crossbar to the ceiling using the appropriate anchor hardware.

Note: Make sure to mount the crossbar with the tabs parallel to the direction of the fixture.



POLE 03 & 05 | INSTALLATION

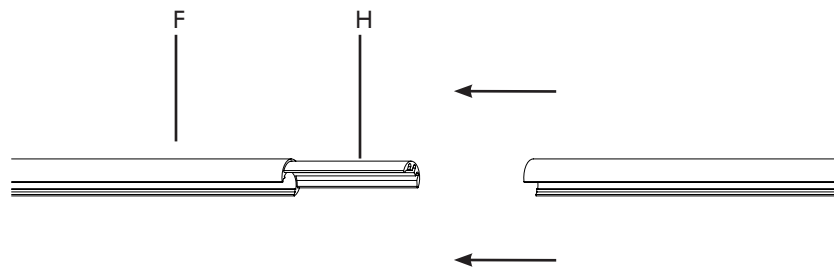
Note: Please contact a licensed electrician for installation.

Note: Ensure power is off during installation.

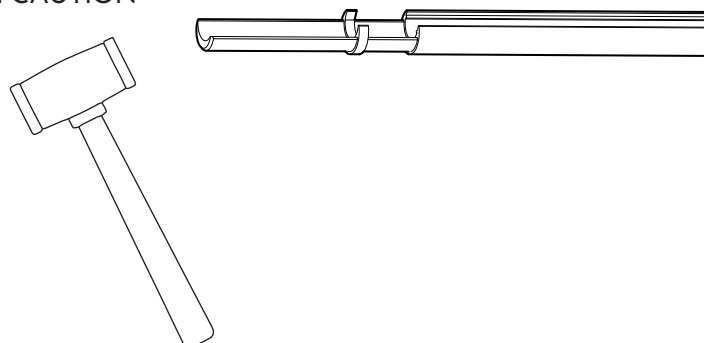
4. Lay all the extrusions (F) down end to end. Start with the extrusion that is in the larger coverplate (G). Make sure the extrusion marked "Small Mount" is last and that the drilled hole is at the very end.

Be sure to pick them up from the mounts and not from the thin extrusion.

5. Connect the extrusions together using the provided fitters (H).



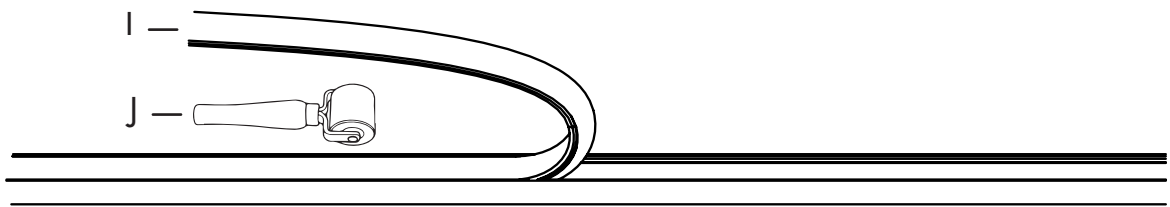
⚠ USE RUBBER Mallet ONLY ⚠
PROCEED WITH CAUTION



POLE 03 & 05 | INSTALLATION

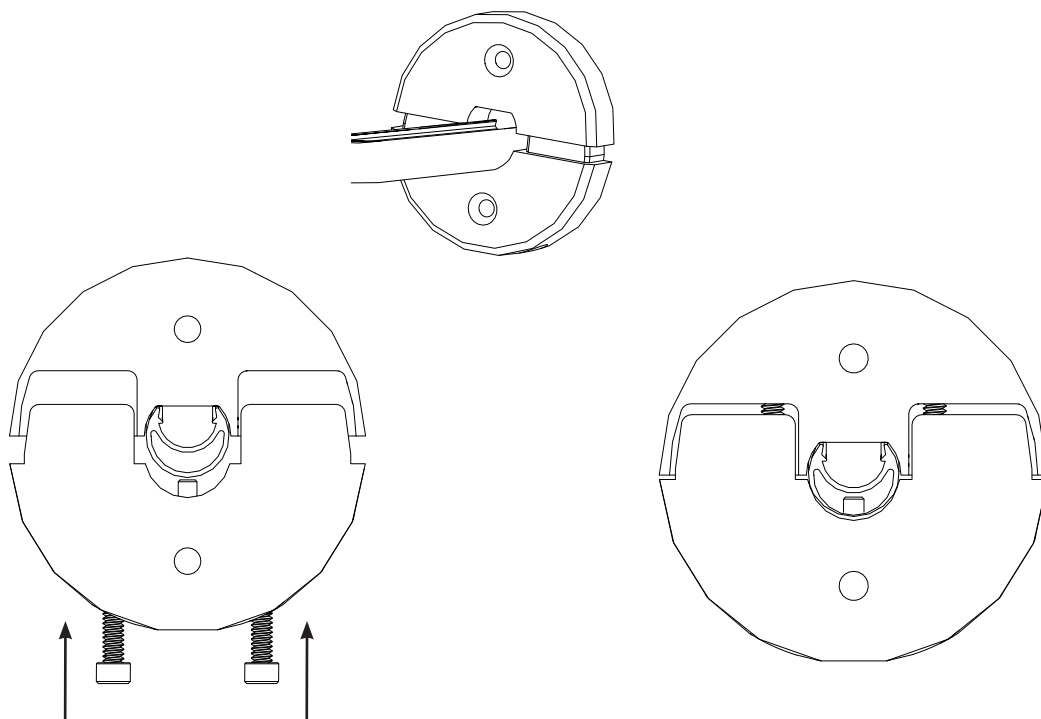
Note: Please contact a licensed electrician for installation.

6. Starting from the end with the large mount, gently feed the tape in the extrusion using the roller (J). To achieve best result, roll one side of the tape first, then proceed with the other. There will be a small section of tape hanging past the end of the fixture.



Note: Please contact a licensed electrician for installation.

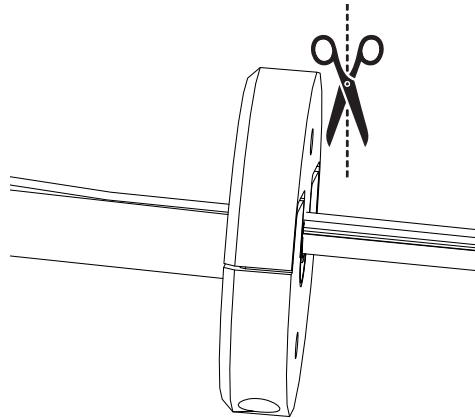
7. Slide the Small mount onto the end of the extrusion in the orientation shown below. Once the bump on the small mount is lined up with the drilled hole in the extrusion, tighten the clamp using the hex driver provided.



POLE 03 & 05 | INSTALLATION

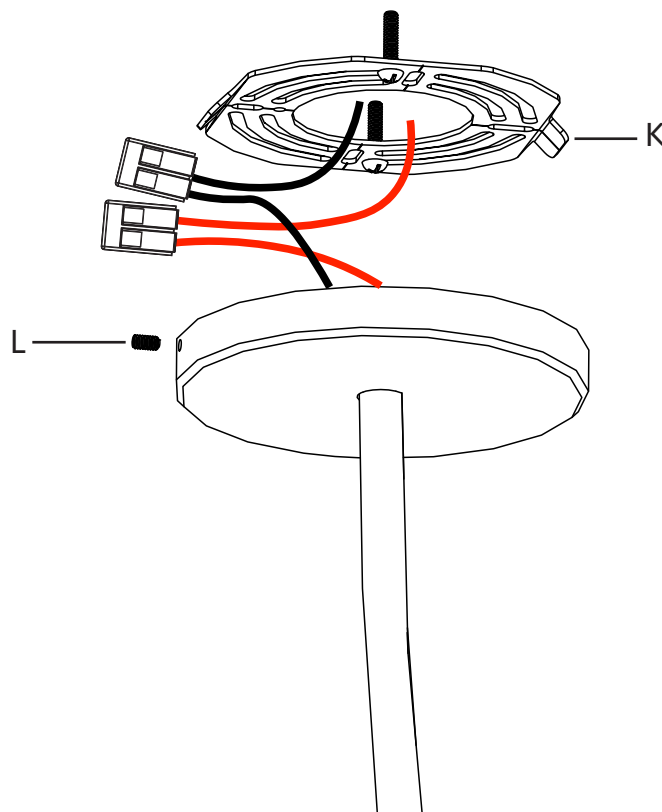
Note: Please contact a licensed electrician for installation.

8. With a pair of sharp scissors, cut the extra LED tape so it is flush with the metal extrusion. After cutting, a small amount of light may be lost at the end tip.



Note: Please contact a licensed electrician for installation.

9. Mount the coverplate to the crossbar, by placing the tab from the crossbar (K) under the wedge in the coverplate. Then bring the other side of the coverplate up, and secure in place with the set screw (L). Once in place, give a gentle tug on the pole to ensure that the connection is secure.



POLE 03 & 05 | INSTALLATION

Note: Please contact a licensed electrician for installation.

Note: Ensure power is off during installation.

10. Use the spec sheet to determine the distance between the two mounting points. It is recommended to leave the J-Box side mounted and then move the small mount for a visual reference and to mark the holes for drilling.

! Do not vary from this recommended spacing !

11. Once the holes are marked. Use the provided anchors and screws to mount the small wall mount. Once in place, give a gentle tug on the extrusion to ensure it's secure.

